

INSTALLATION AND OPERATING INSTRUCTIONS AG-R CIRCULATORS

READ CAREFULLY BEFORE INSTALLING & OPERATING THE CIRCULATOR

You are about to install a pump model from the finest wet rotor circulator line on the market today. Armstrong's Model AG-R circulators are designed for closed hydronic, potable water or solar systems. Their intended use is for circulating water or ethylene glycol solutions.

The AG-R Series is extremely quiet operating and is lubricated by the system liquid being pumped by the circulator.

These circulators are designed to work at temperatures and pressures up to 110°C and 10 bar, respectively. For potable water systems, it is recommended that the operating temperature of the fluid be kept as low as possible (i.e. below 65°C) to avoid precipitation of calcium.

When unpacking the circulator, inspect for any damage that may have occurred during transit. Check for loose, missing or damaged parts.

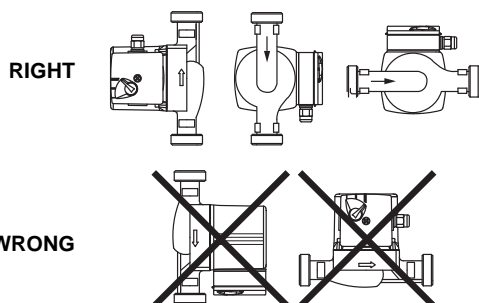
INSTALLING

We recommend that any soldering be done before the pump is actually installed. This will eliminate the possibility of solder dropping into the pump body.

Thoroughly flush the system out before installing the circulator.

Before Installing, check that the flow direction of the water through the pump body matches the arrow on the circulator body. The circulator is supplied for up discharge installation.

Install the circulator in either the outlet or inlet line to the boiler or hot water heater. It is important to install these circulators with the split between the circulator body and the motor in a vertical position. This ensures efficient operation. See examples.



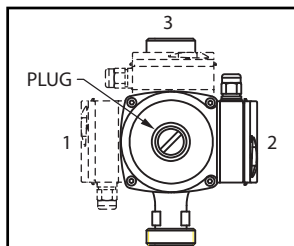
The circulator shaft must always be in a horizontal position. (The piping can be in a horizontal or vertical run.) Isolation valves should be installed on the discharge and suction side of the pump to facilitate service.

Terminal Box

Always install the circulator with the terminal box above or beside the motor.

If the terminal box is under the motor as initially mounted, remove the motor mounting screws and rotate the motor to the proper position. (See example.)

Ensure the gasket is intact and seated before evenly retightening the mounting screws. To ensure the rotor still spins freely, temporarily remove the plug (located in the middle of the nameplate), insert a flat head screwdriver into the slot in the end of the rotor shaft and turn.



DO NOT HANG ITEMS OR ARTICLES OF CLOTHING ON THE PUMP AS IT MUST BREATHE AIR. DO NOT OPERATE THE CIRCULATOR WITHOUT THE AIR VENT PLUG INSTALLED.

Electrical Wiring

The electrical wiring must be installed strictly in accordance with National Electrical Code, Local Codes and regulations.

- A. Electrical installation should be conducted by a qualified electrician.
- B. Always make sure electric power is disconnected before wiring the circulator.

Motor is designed for 50 Hz, 1 phase, 230 Volt ± 10% power.

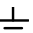
Wire shall be 0.75 to 1.5mm², rated for 60°C, solid or stranded.

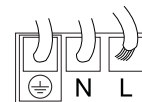
To wire, loosen the screw from the terminal box cover and remove the screw and cover.

Loosen the liquid seal connector cap and insert the wire through.

Strip 5mm of insulation from the ends of the three wires to be connected.

To insert the wires into the terminal strip, flip the terminal lever away from the wire opening and press down firmly. Insert the stripped wire into the opening and release the lever. Tug on the wire gently to ensure it is secured.

Connect the hot wire to terminal "L", the neutral wire to terminal "N", and the ground wire to terminal 



Tighten the connector cap.

Replace the terminal box cover and the screw.

Motor is thermally protected so overload protection is not necessary. All that is required is a fused plug or circuit breaker in the power line.

Electrical information can be found on the nameplate of the motor.

START UP

These circulators are maintenance free. Self-lubricated by the system fluid, these circulators have no seals to leak or coupling to break.

A proper installation practice recommends to thoroughly flush the system clean of all foreign materials prior to installing the circulator.

Fill the system before starting.

Speed setting of AG-R 3 speed circulators:

The speed of these pumps can be adjusted with a 3-speed rotary switch. On speed setting 1, the pump operates at approx. half the performance of the speed setting 3 (maximum speed) and consumes about half the power of full speed operation.

WARNING: Never operate the circulator dry as permanent damage may occur. Never shut off the discharge or restrict suction flow while the circulator is operating.

The venting of the rotor chamber may be done automatically. However, to assure proper and faster venting of this circulator, we recommend the manual venting procedure as follows:

1. Place a container under the back of the circulator to catch any water that may run out.
2. Be sure power to the circulator is off at the fuse or circuit breaker.
3. Loosen the air vent plug on the back of the motor but do not remove.
4. Continue until water appears.
5. After a sufficient amount of water free of air bubbles has passed, retighten the plug.
6. The circulator can now be started.

Liquid Temperature	Minimum inlet pressure
75°C	0.5 m
90°C	2.8 m
110°C	11.0 m

Installation Troubleshooting Guide

Fault	Possible Cause	Remedy
Noise from radiator	Excessive pressure passing the thermostatic valve.	<ul style="list-style-type: none"> Reduce the speed setting. Flow decreases will reduce system pressure and eliminate the noise.
The radiator is not giving off any heat	The thermostatic valve is jammed or blocked.	<ul style="list-style-type: none"> Shut off all other radiators in the system, and set the pump at maximum speed. Once the blockage has been dislodged reopen the radiators and adjust pump to original speed setting.
	The heating system is not balanced.	<ul style="list-style-type: none"> Re-assess the system. Fit new commissioning valves on all radiators (may be integrated in the thermostatic valves) to enable an even distribution of the flow.
Pump generates too little (no) output	Incorrect discharge direction.	<ul style="list-style-type: none"> Turn pump 180 degree
	Dirty impeller	<ul style="list-style-type: none"> Open pump and clean impeller. Note: Close isolation valves if present
	Suction port blocked	<ul style="list-style-type: none"> Open pump and clean housing. Note: Close isolation valves if present
	Outlet blocked	<ul style="list-style-type: none"> Clean isolation valves.
	Isolation valve closed	<ul style="list-style-type: none"> Open isolation valves
	Dirty strainer	<ul style="list-style-type: none"> Clean strainer
	Air in the pump	<ul style="list-style-type: none"> Switch off pump and open bleed screw to vent.
	Pump at lowest/medium speed level	<ul style="list-style-type: none"> Set pump to the next higher speed level
Pump stopped, no power	Pump set point is too low	<ul style="list-style-type: none"> Increase set point on the pump or controller
	Power supply interrupted	<ul style="list-style-type: none"> Check the power supply. Attach external power control if necessary
Pump stopped, power supply present	Fuse tripped or circuit breaker opened	<ul style="list-style-type: none"> Repair short-circuited wire. Repair loose contact. Check for the properly fuse. Check pump motor and lead
	Thermal switch has actuated	<ul style="list-style-type: none"> Reduce ambient temperature. Clean blocked or slow rotating pumps
Pump does not start	Pump does not start	<ul style="list-style-type: none"> Open air vent screw and unlock shaft. Clean pump. Increase speed/set point. Replace pump
Noises in system, thermostatic valves/ pipes	Pump output too high	<ul style="list-style-type: none"> Reduce speed level. Open bypass/valve. Install circuit balancing valves to adjust flow. Check pump selection/system. Adjust pump. Check system /gauges. Replace pump.
Noisy pump	Air in pump	<ul style="list-style-type: none"> Open bleed screw and vent pump. Vent and top up system with water. Check expansion tank. Install air separator.
	Cavitation sounds	<ul style="list-style-type: none"> Increase inlet pressure. Reduce temperature. Throttle back pump. Reduce speed.
	Resonance noises	<ul style="list-style-type: none"> Use sound insulation material between the pump and surface to reduce resonance noise. Install expansion joints. Install fixture to change system's natural frequency. Adjusts pump speed. Replace pump/motor.
	Knocking from foreign bodies in the pump/or on valve	<ul style="list-style-type: none"> Clean impeller. Adjust valve pressure. Adjust valve spring. Turn valve around if installed incorrectly. Replace pump.

S. A. Armstrong Limited
 23 Bertrand Avenue
 Toronto, Ontario
 Canada, M1L 2P3
 T: 416-755-2291
 F: 416-759-9101

Armstrong Integrated Limited
 Wenlock Way
 Manchester
 United Kingdom, M12 5JL
 T: +44 (0) 8444 145 145
 F: +44 (0) 8444 145 146