

Assembly Kit DEPC Control Card

Installation and operating instructions

File No: 100.8143

Date: APRIL 04, 2023

Supersedes: 100.8143

Date: MAY 21, 2020



TOOLS YOU WILL NEED



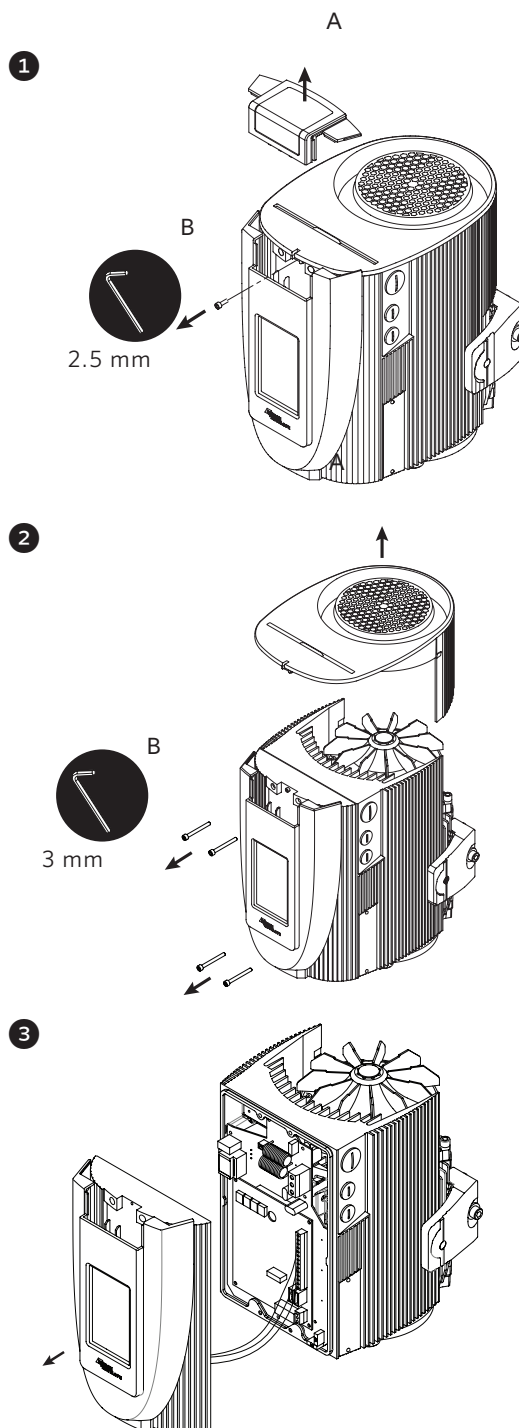
1.0 THE MAIN COVER DISASSEMBLY AND ASSEMBLY

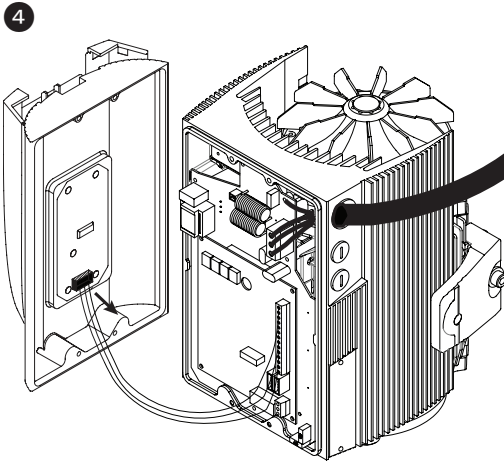
1.1 THE MAIN COVER DISASSEMBLY-DEPM MOTORS

WARNING



Before removing the system must be disconnected from the mains supply. After switching off, wait for at least 4 minutes for the capacitors to discharge before opening the cover.

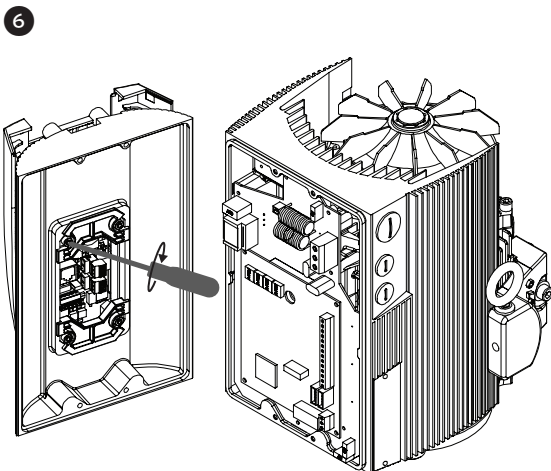
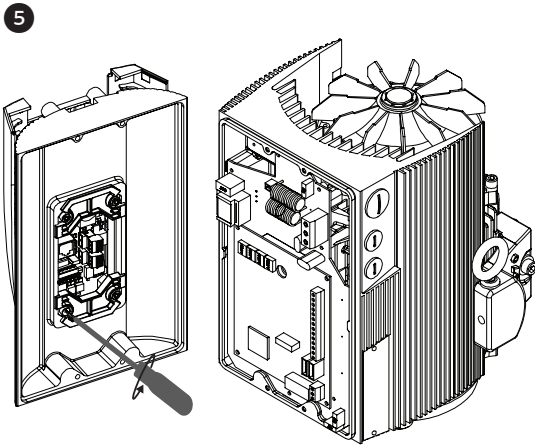




CAUTION

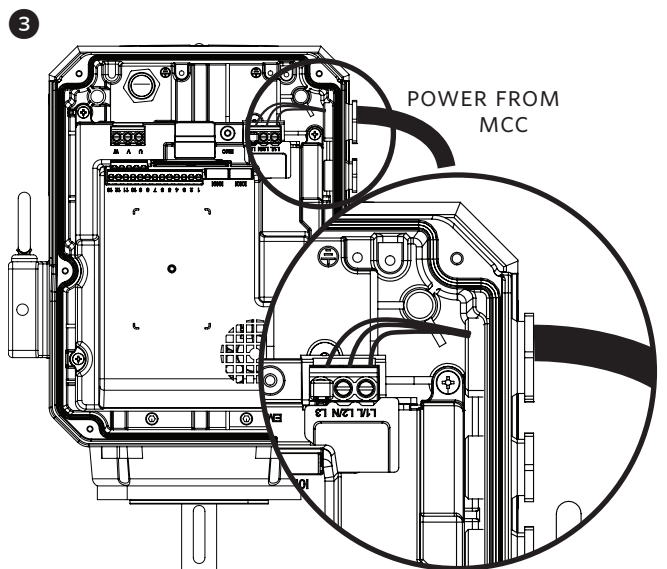
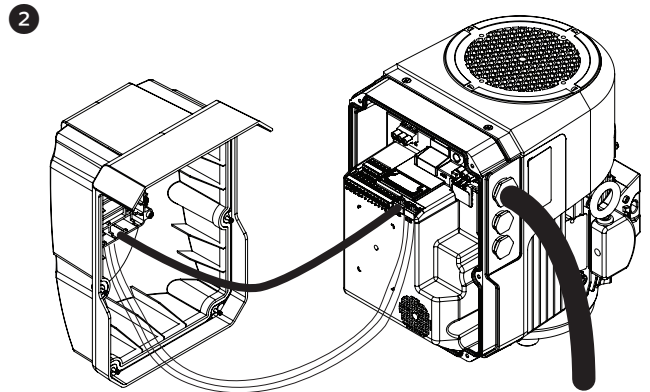
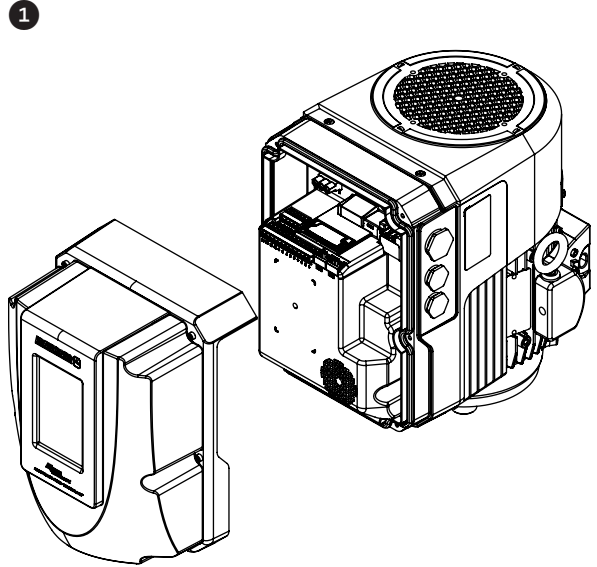


When you remove the front cover, pay attention to the wiring connection of the control board, unplug the connection and remove completely the cover.

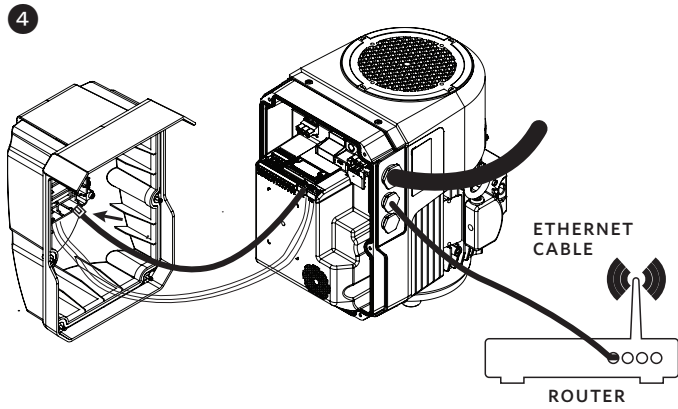


Reinstall the new cover assembly by reconnecting the wiring and reversing the steps to reassemble.

1.2 THE MAIN COVER DISASSEMBLY-DEPM 2 MOTORS



4



TORONTO

+1 416 755 2291

BUFFALO

+1 716 693 8813

DROITWICH SPA

+44 121 550 5333

MANCHESTER

+44 161 223 2223

BANGALORE

+91 80 4906 3555

SHANGHAI

+86 21 5237 0909

BEIJING

+86 21 5237 0909

SÃO PAULO

+55 11 4785 1330

LYON

+33 4 26 83 78 74

DUBAI

+971 4 887 6775

JIMBOLIA

+40 256 360 030