

DESIGN ENVELOPE 4300, 4380, 4322 & 4372

V-CLAMP & RING REPLACEMENT | INSTALLATION AND OPERATING INSTRUCTIONS

File No: 100.8163
Date: JULY 07, 2021
Supersedes: NEW
Date: NEW

CAUTION



Always disconnect power supply from motor before beginning service work.

WARNING



When reinstalling the clamp, tighten the clamp nut to 90-100 in-lb torque.

PREPARE ASSEMBLY FOR REMOVAL IN CASE O-RING REPLACEMENT

Secure the motor by lifting straps to an overhead chain fall or similar lifting device. The device must be designed to lift the weight of the unit safely. Raise the lifter to bring the lifting straps taut. Disconnect the flush/vent flex hose from pump suction and secure flex hose to one side. Remove the clamp ring between casing and adapter. Care should be taken not to apply pressure to the outside diameter of the adapter, to prevent possible breakage, outside pressure should be on the casing only

INSTALL NEW ADAPTER O-RING

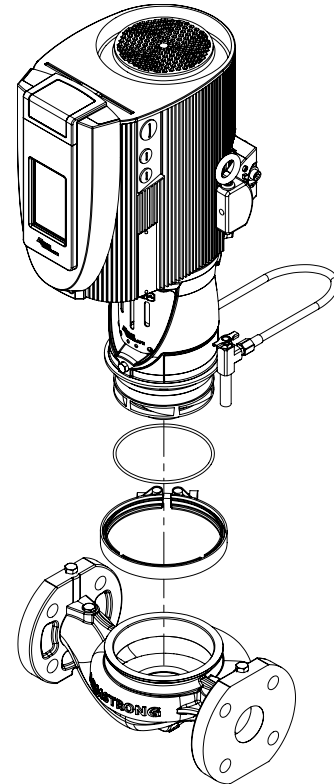
Insert new adapter O-ring into the O-ring groove of the adapter and apply silicon or glycerine lubricant around the O-ring

CLAMP RING

Insert Clamp Ring thru the impeller and adapter flange. Tighten the nut on the clamp ring to 90-100 lbs-in

CASING AND ADAPTER CLAMP-RING

The casing and adapter clamp-ring is now installed and tightened with a wrench. Reconnect the flush/vent flex hose assembly [check for damage and replace if necessary]



TORONTO

23 BERTRAND AVENUE
TORONTO, ONTARIO
CANADA, M1L 2P3
+1 416 755 2291

BUFFALO

93 EAST AVENUE
NORTH TONAWANDA, NEW YORK
U.S.A., 14120-6594
+1 716 693 8813

DROITWICH SPA

POINTON WAY,
STONEBRIDGE CROSS BUSINESS PARK
DROITWICH SPA, WORCESTERSHIRE
UNITED KINGDOM, WR9 0LW
+44 8444 145 145

MANCHESTER

WOLVERTON STREET
MANCHESTER
UNITED KINGDOM, M11 2ET
+44 8444 145 145

BANGALORE

#59, FIRST FLOOR, 3RD MAIN
MARGOSA ROAD, MALLESWARAM
BANGALORE, INDIA, 560 003
+91 80 4906 3555

SHANGHAI

UNIT 903, 888 NORTH SICHUAN RD.
HONGKOU DISTRICT, SHANGHAI
CHINA, 200085
+86 21 5237 0909

SÃO PAULO

RUA JOSÉ SEMIÃO RODRIGUES AGOSTINHO,
1370 GALPÃO 6 EMBU DAS ARTES
SAO PAULO, BRAZIL
+55 11 4785 1330

LYON

93 RUE DE LA VILLETTE
LYON, 69003 FRANCE
+33 4 26 83 78 74

DUBAI

JAFZA VIEW 19, OFFICE 402
P.O.BOX 18226 JAFZA,
DUBAI - UNITED ARAB EMIRATES
+971 4 887 6775

MANNHEIM

DYNAMOSTRASSE 13
68165 MANNHEIM
GERMANY
+49 621 3999 9858

JIMBOLIA

STR CALEA MOTILOR NR. 2C
JIMBOLIA 305400, JUD.TIMIS
ROMANIA
+40 256 360 030

ARMSTRONG FLUID TECHNOLOGY
ESTABLISHED 1934

ARMSTRONGFLUIDTECHNOLOGY.COM

FOR SERVICE RELATED PARTS & KITS

Use ADEPT Select to quickly and easily select.

Visit adept.armstrongfluidtechnology.com to learn more

