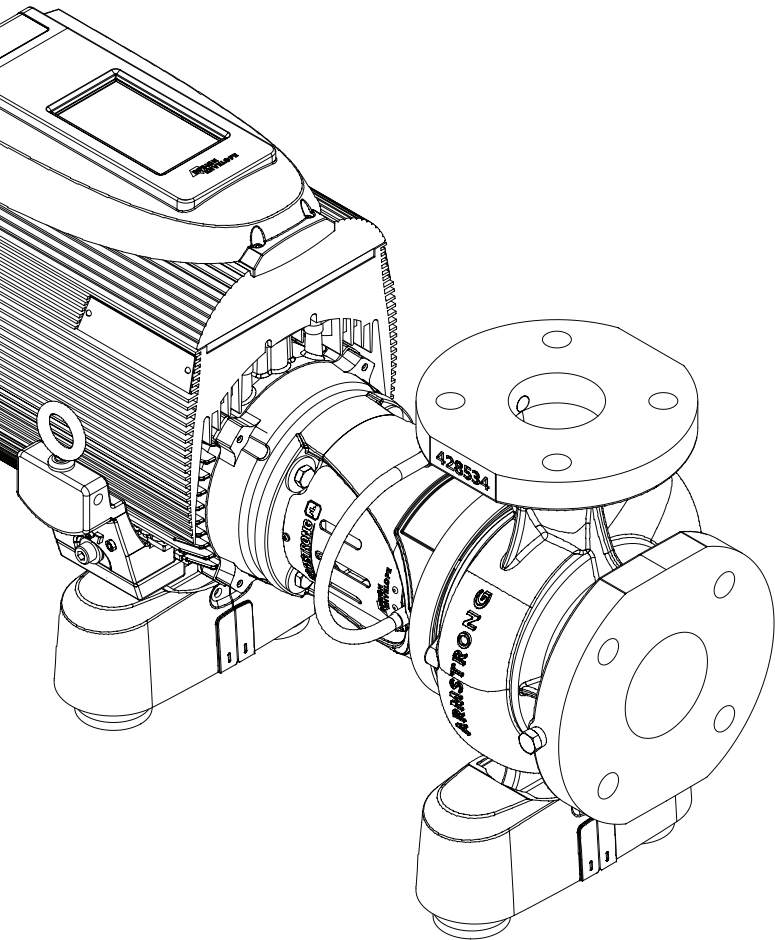


# Design Envelope 4200H & 4280

End suction horizontal  
pumping unit with  
permanent magnet  
1-10 hp motor

## Quick Installation guide

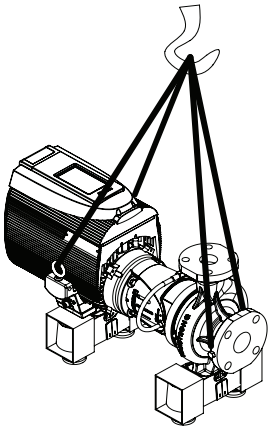
File No: 103.81  
Date: AUGUST 23, 2019  
Supersedes: 103.81  
Date: MAY 22, 2018



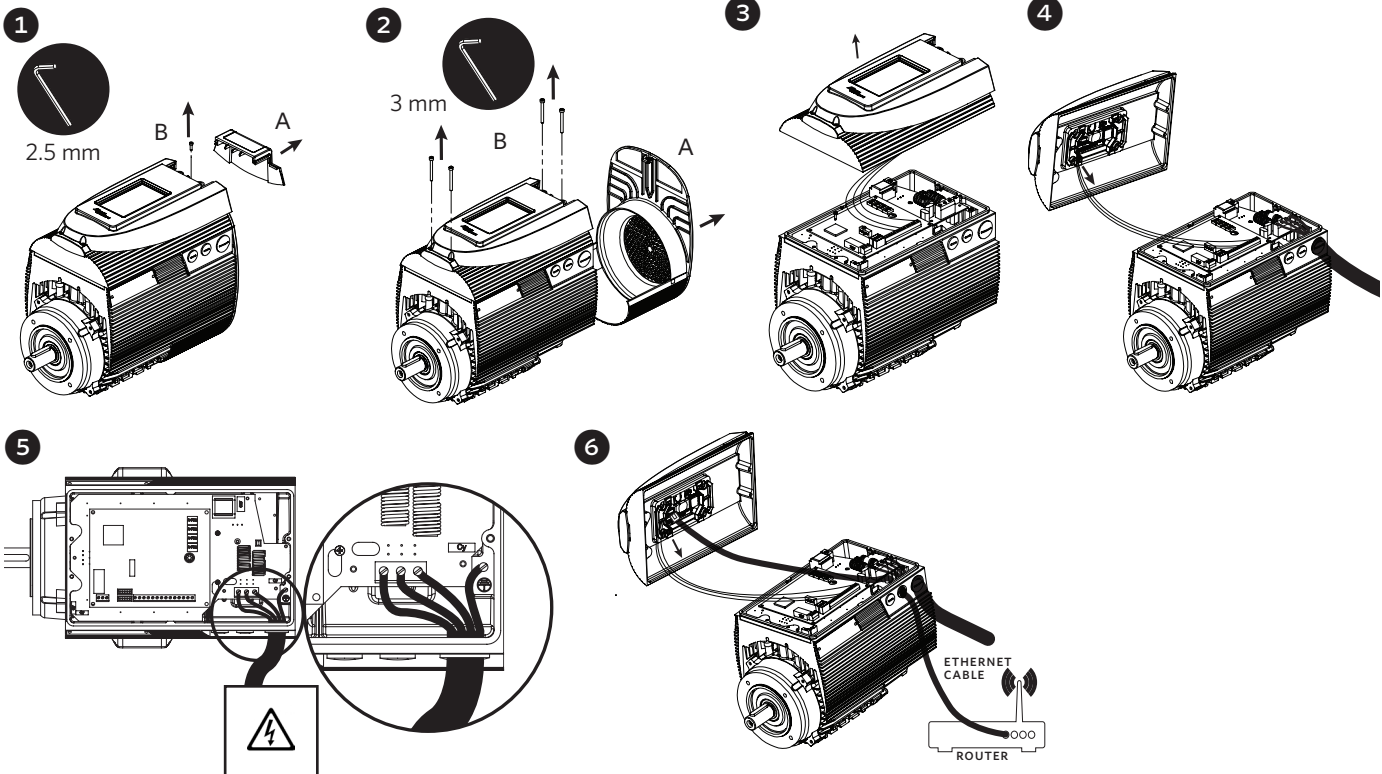
1.0 TOOLS YOU WILL NEED



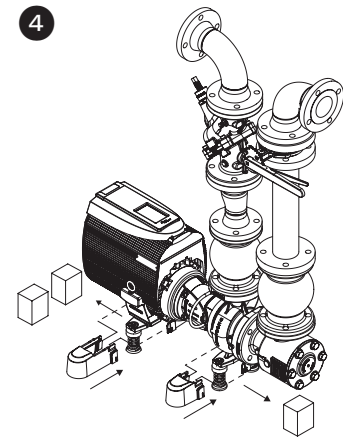
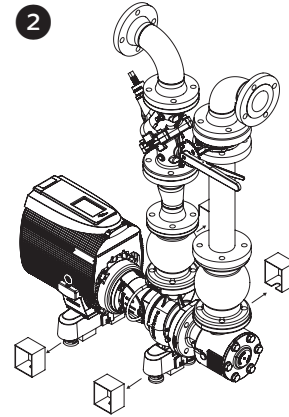
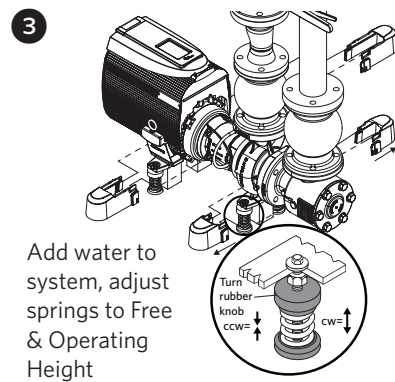
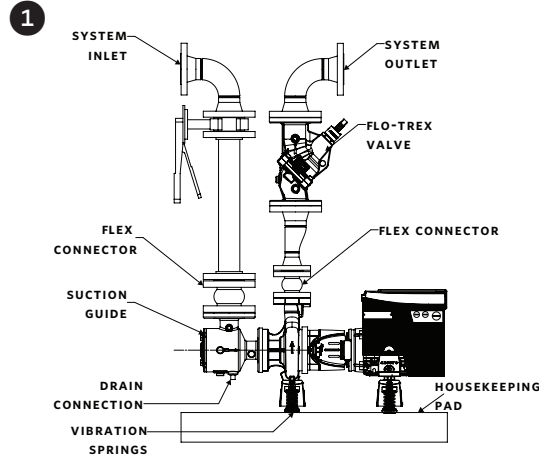
2.0 HANDLING



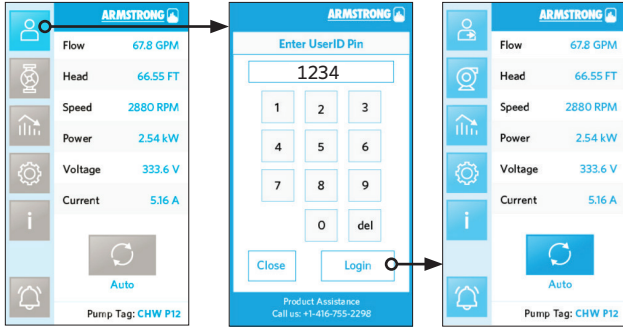
4.0 POWER WIRING



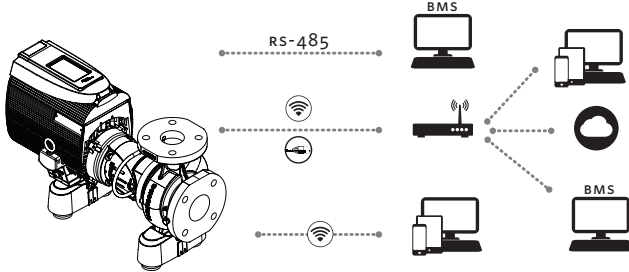
3.0 INSTALLATION



## 5.0 TOUCHSCREEN LOGIN



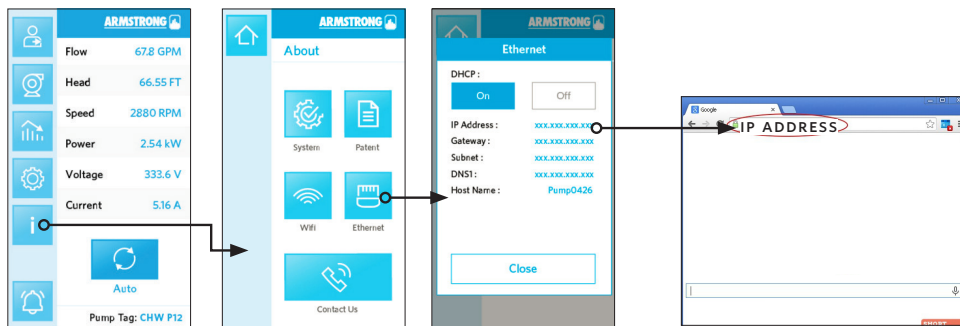
## 6.0 NETWORKING OPTIONS



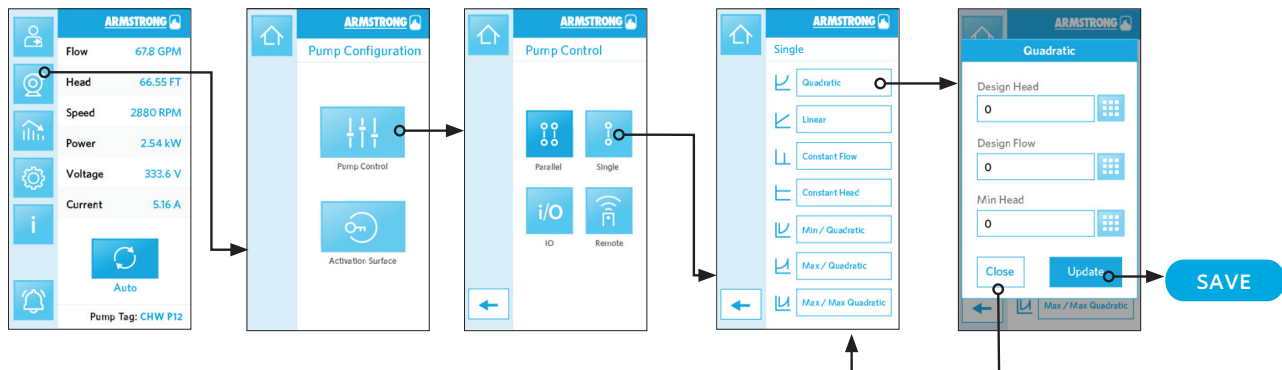
## 6.1 CONNECTING TO THE ROUTER



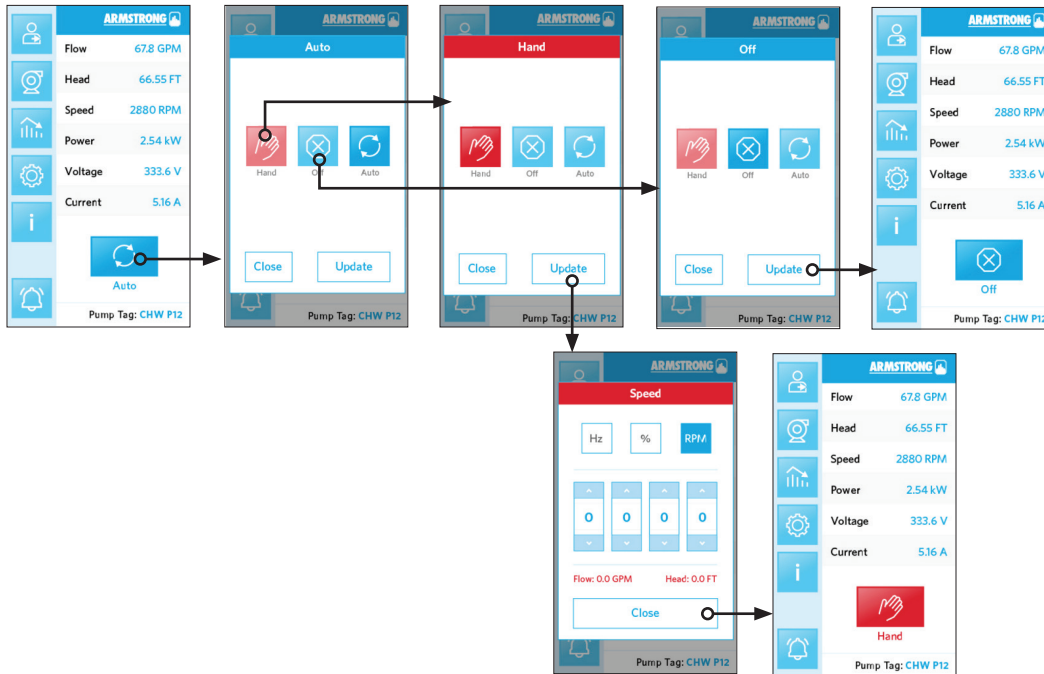
## 6.2 CONNECTING VIA WEB BROWSER



## 7.0 SETTING DESIGN POINT



## 8.0 HAND MODE AND OFF MODE



## 9.0 WARRANTY REGISTRATION

### TORONTO

+1 416 755 2291

### BUFFALO

+1 716 693 8813

### BIRMINGHAM

+44 (0) 8444 145 145

### MANCHESTER

+44 (0) 8444 145 145

### BANGALORE

+91 (0) 80 4906 3555

### SHANGHAI

+86 (0) 21 5237 0909

### SÃO PAULO

+55 11 4785 1330

### LYON

+33 (0) 420 102 625

### DUBAI

+971 4 887 6775

### MANNHEIM

+49 (0) 621 3999 9858

[www.armstrongfluidtechnology.com/warrantyregistration](http://www.armstrongfluidtechnology.com/warrantyregistration)

