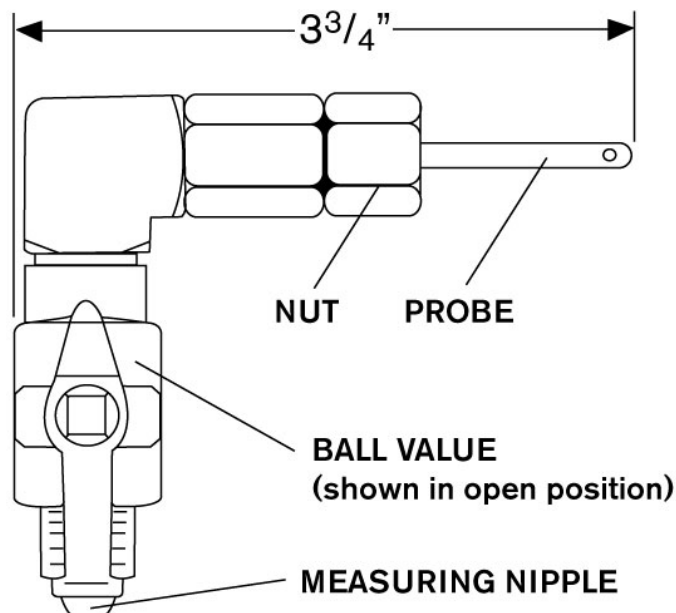


INSTALLATION AND OPERATING INSTRUCTIONS**P.M.P. Meter Adapter
570147-010**

FOR USE ON ALL CIRCUIT BALANCING VALVES WITH P.M.P. METERING PORTS AND ARMSTRONG METERS: CBDM-60, CBDM-135/60, APDM-135/60 WITH SCHRADER FITTINGS.

INSTRUCTIONS: (2 adapters per CBV required)

1. With ball valves in closed position, thread meter to Armstrong measuring nipple.
2. Insert probe in P.M.P. with slight twisting motion. Tighten down nut to hold in place.
3. Open ball valves (turn 90°) and proceed with measuring.
4. When measuring is completed, CLOSE BALL VALVES and remove adapter from P.M.P.

S. A. Armstrong Limited
23 Bertrand Avenue
Toronto, Ontario
Canada, M1L 2P3
T: (416) 755-2291
F (Main): (416) 759-9101

Armstrong Pumps Inc.
93 East Avenue
North Tonawanda, New York
U.S.A. 14120-6594
T: (716) 693-8813
F: (716) 693-8970

Armstrong Holden Brooke Pullen
Wenlock Way
Manchester
United Kingdom, M12 5JL
T: +44 (0) 161 223 2223
F: +44 (0) 161 220 9660



© S.A. Armstrong Limited 2008