

## SERIES 4300 VERTICAL IN-LINE PUMP | PORT SIZES: 16" x 16" | SERVICE WORK INSTRUCTIONS

File No: 43.815  
Date: SEPTEMBER 29, 2016  
Supersedes: 43.815  
Date: JANUARY 27, 2009

### LOWER BEARING REPLACEMENT PROCEDURE:

- 1 Stop the pump. Lock off the breaker. Isolate and drain the pump.
- 2 Remove lower bearing flush line ① from the bottom of casing.
- 3 Remove the eight bolts ② from the lower bearing cover ③ and remove the cover and gasket.
- 4 Check clearance between shaft and bearing. If 0.015" (0.38 mm) or greater the bearing should be replaced.
- 5 Remove the four bolts ④ from lower bearing ⑤ and relocate three of them into the tapped holes on lower bearing flange.
- 6 Tightening three bolts in sequence slowly and evenly, jacking out the lower bearing. Bearing-puller or longer bolts (see item 8) can be used to complete the removal of the bearing.
- 7 Ensure mating bore on casing, between casing and lower bearing, is clean.
- 8 Insert new lower bearing into the casing bore. Use two studs  $\frac{3}{8}$ -16 x 5" long with nuts ⑥ 180° apart to install lower bearing into the casing bore. Tightening stud nuts ⑥ slowly and evenly, lower bearing will slide into the casing bore (FIG. 3).
- 9 When lower bearing ⑤ is close to being fully installed, replace long studs ⑥ by bolts ④ and complete the installation.
- 10 Install new gasket ⑦ if necessary and place lower bearing cover ③.
- 11 Tighten all eight bolts ② evenly and equally and re-install flush line ①.

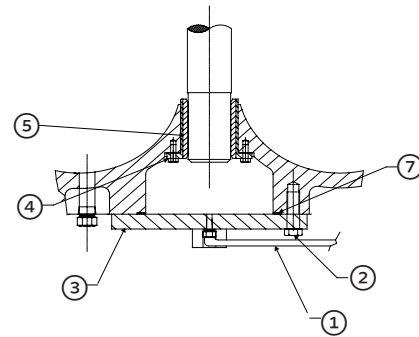
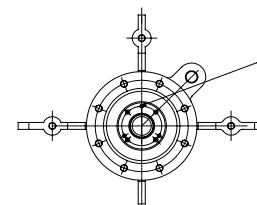


FIG. 1



TAPPED HOLES, THREE  
PLACES 180° APART  
FOR LOWER BEARING  
REPLACEMENT

FIG. 2

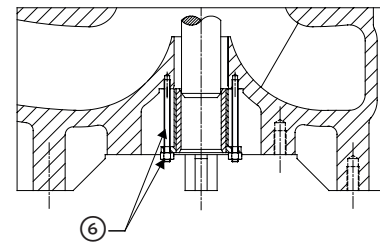


FIG. 3

### REPLACEMENT PART NUMBERS:

- 1 Lower bearing for 16x16x15 - 427494-000
- 2 Lower bearing for 16x16x19 - 427524-000
- 3 Gasket - 426401-003

**TORONTO**

23 BERTRAND AVENUE  
TORONTO, ONTARIO  
CANADA  
M1L 2P3  
+1 416 755 2291

**BUFFALO**

93 EAST AVENUE  
NORTH TONAWANDA, NEW YORK  
U.S.A.  
14120-6594  
+1 716 693 8813

**BIRMINGHAM**

HEYWOOD WHARF, MUCKLOW HILL  
HALESOWEN, WEST MIDLANDS  
UNITED KINGDOM  
B62 8DJ  
+44 (0) 8444 145 145

**MANCHESTER**

WOLVERTON STREET  
MANCHESTER  
UNITED KINGDOM  
M11 2ET  
+44 (0) 8444 145 145

**BANGALORE**

#59, FIRST FLOOR, 3RD MAIN  
MARGOSA ROAD, MALLESWARAM  
BANGALORE, INDIA  
560 003  
+91 (0) 80 4906 3555

**SHANGHAI**

NO. 1619 HU HANG ROAD, XI DU TOWNSHIP  
FENG XIAN DISTRICT, SHANGHAI  
P.R.C.  
201401  
+86 21 3756 6696

**SÃO PAULO**

RUA JOSÉ SEMIÃO RODRIGUES AGOSTINHO,  
1370 GALPÃO 6  
EMBU DAS ARTES  
SAO PAULO, BRAZIL  
+55 11 4781 5500

ARMSTRONG FLUID TECHNOLOGY  
ESTABLISHED 1934

ARMSTRONGFLUIDTECHNOLOGY.COM

**MAKING  
ENERGY  
MAKE  
SENSE™**