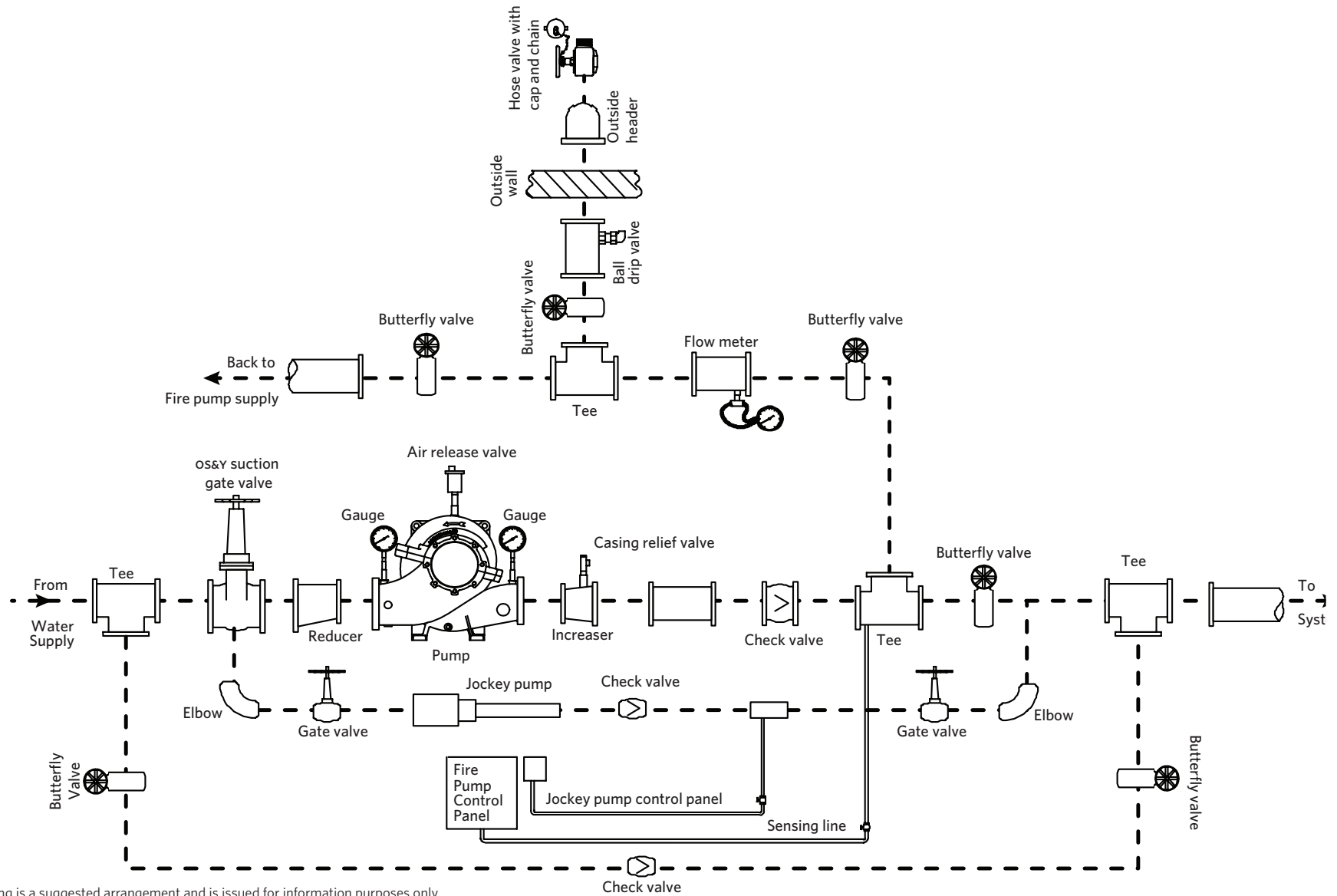


## HORIZONTAL SPLIT CASE ELECTRIC DRIVEN | TYPICAL FIRE PUMP & CONTROLLER ARRANGEMENT

File No: F43.169  
 Date: OCTOBER 04, 2016  
 Supersedes: F43.169  
 Date: FEBRUARY 16, 1998



This drawing is a suggested arrangement and is issued for information purposes only.