



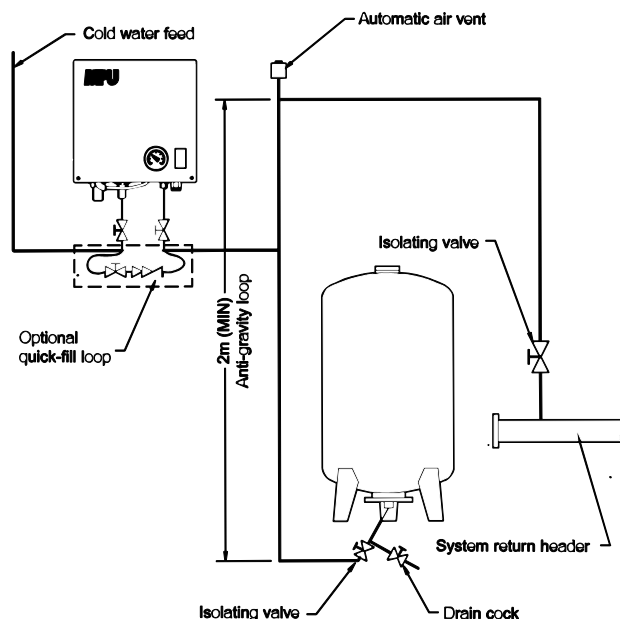
## Installation Instructions MPU Ultra-Compact Pressurisation Units



### ESSENTIAL SAFETY REQUIREMENTS

- 1) Locate units in a well ventilated environment and ensure that ventilation fans and apertures are not obstructed.
- 2) Check the supply voltage and overload protection is correct.
- 3) An isolator should be fitted to the incoming supply to the unit.
- 4) Electrical installation should be performed by a competent electrician.
- 5) Guards and covers must not be removed during operation.

Install the unit as indicated in the diagram below:



### NOTES:

- 1) The pipework from the system to the expansion vessels should not be lagged.
- 2) The MPU unit should be wall mounted, ensuring that sufficient clearance (100mm minimum) is left around all sides to allow the cover to be removed.
- 3) An anti-gravity loop with a minimum height of 2m (or an intermediate vessel) should be installed to provide thermal protection to the expansion vessel(s).
- 4) The pipework to the expansion vessel(s) should be sized according to the size and number of vessels and should be at least the same size as the vessel connection.
- 5) Where multiple expansion vessels are required it is recommended that each vessel be installed with its own isolating valve and drain cock.
- 6) If a finished floor screed is to be applied on completion of all mechanical services, then it is advisable that all floor mounted equipment is set on a concrete plinth.
- 7) Unit is supplied to suit low pressure cold feed max. 0.75 bar. For mains pressures between 0.75 and 3.5 bar fit LP seat. Where maximum pressure is over 3.5 bar fit HP seat.

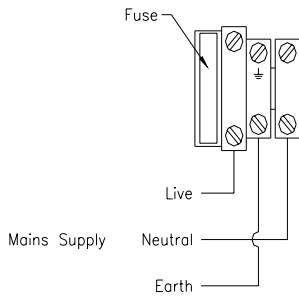
## Electrical Connections

*Note: The supply to the unit must not be interrupted by a time clock or safety cut-out.*

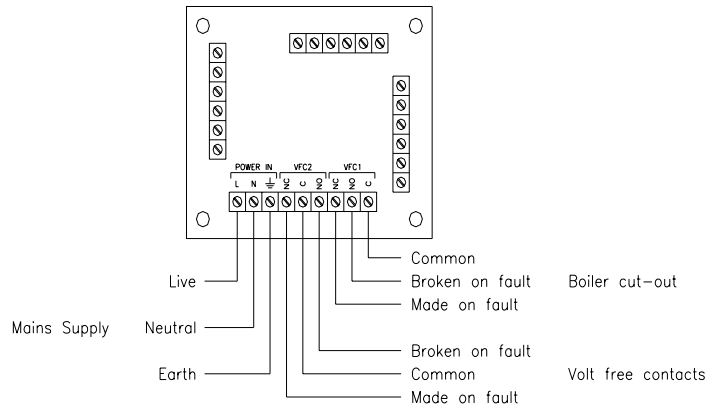
Customer wiring connections are shown below. The unit should be supplied with a 240V single phase 50Hz supply. The unit is internally fused with a 2A fuse.

NOTE: MPU506 and 526 connections detailed are for serial numbers 095350 onwards.

MPU502/25 and MPU502/50

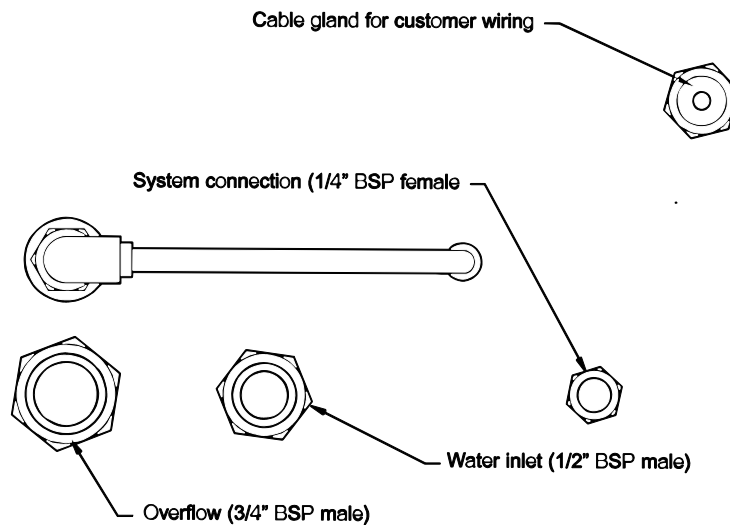


MPU506/L and MPU526/L



## Customer Connections

All customer connections (pipework and electrical) are accessed from the bottom of the unit. These are detailed below:-



S. A. Armstrong Limited  
23 Bertrand Avenue  
Toronto, Ontario  
Canada, M1L 2P3  
T: (416) 755-2291  
F (Main): (416) 759-9101

Armstrong Pumps Inc.  
93 East Avenue  
North Tonawanda, New York  
U.S.A. 14120-6594  
T: (716) 693-8813  
F: (716) 693-8970

Armstrong Holden Brooke Pullen  
Wenlock Way  
Manchester  
United Kingdom, M12 5JL  
T: +44 (0) 161 223 2223  
F: +44 (0) 161 220 9660



© S.A. Armstrong Limited 2006