



FILE NO.:	6043d.111
DATE:	January 5, 2012
SUPERSEDES:	6043d.111
DATE:	May 11, 2010

PARTS LIST

SERIES 4382

dualArm VERTICAL IN-LINE PUMPS

PUMP PARTS LIST

NEW DESIGN

4382 DUALARM POWER FRAMES: ALL SPEEDS										TECHNICAL DATA	
MOTOR FRAME		56C*	143	182	213	254	284	324		SEAL SIZE (ins)	IMPELLER BORE (ins)
PUMP SIZE	GROUP. NO.		145	184	215	256	286	326			
	3 X 3 X 6	2	C	JM	JM	JM					1.25
4 X 4 X 6	2	C	JM	JM	JM					1.25	0.875
6 X 6 X 6	2		JM	JM	JM					1.25	0.875
6 X 6 X 6	3					JM				1.625	1.25
3 X 3 X 8	2	C	JM	JM						1.25	0.875
3 X 3 X 8	3				JP	JM	JM			1.625	1.25
4 X 4 X 8	2	C	JM	JM						1.25	0.875
4 X 4 X 8	3				JP	JM	JM	JM		1.625	1.25
6 X 6 X 8	2		JM	JM						1.25	0.875
6 X 6 X 8	3				JP	JM	JM	JM		1.625	1.25
8 X 8 X 8	2		JM	JM						1.25	0.875
8 X 8 X 8	3				JP	JM				1.625	1.25
3 X 3 X 10	2		JM	JM						1.25	0.875
3 X 3 X 10	3				JP	JM	JP	JP		1.625	1.25
4 X 4 X 10	2		JM	JM						1.25	0.875
4 X 4 X 10	3				JP	JM	JP	JP		1.625	1.25
6 X 6 X 10	2		JM	JM						1.25	0.875
6 X 6 X 10	3				JP	JM	JP	JP		1.625	1.25
8 X 8 X 10	2		JM	JM						1.25	0.875
8 X 8 X 10	3				JP	JM				1.625	1.25

***ARMSTRONG STUB SHAFT REQUIRED FOR FRAME 56C MOTORS**

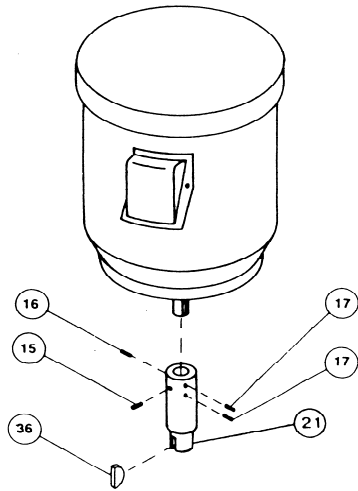
GROUP 2:- 0.875 IMPELLER HUB---1.25 MECHANICAL SEAL

GROUP 3:- 1.25 IMPELLER HUB---1.625 MECHANICAL SEAL

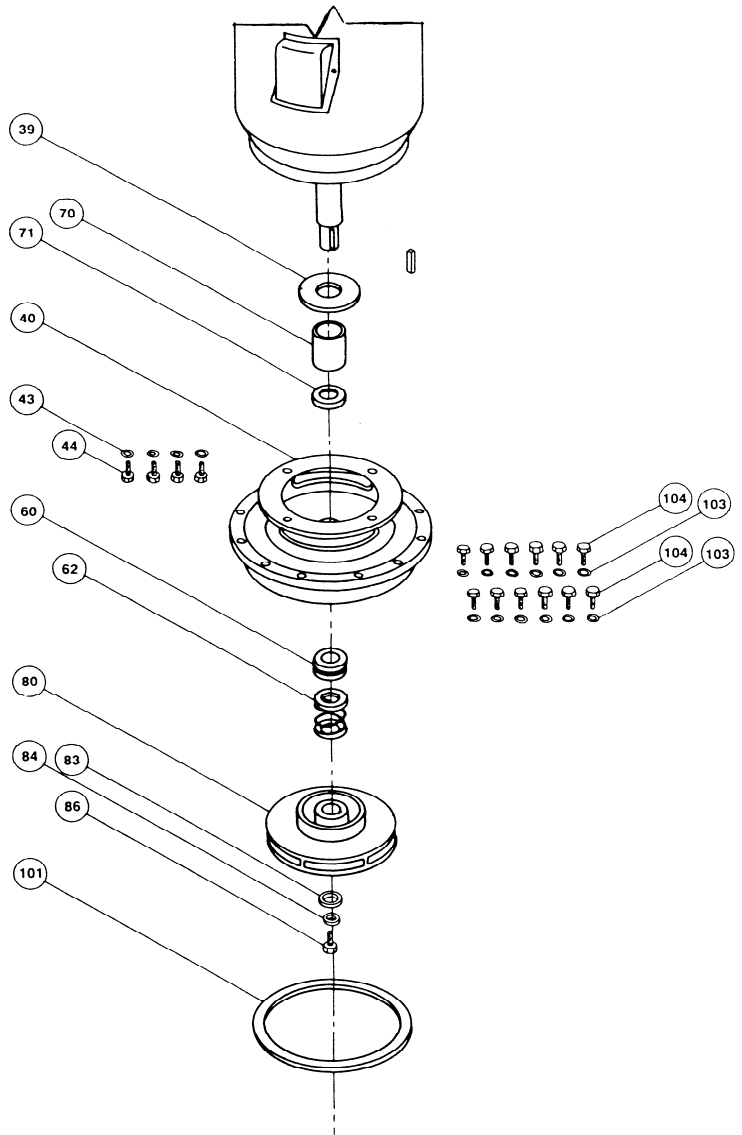
4382 VERTICAL PUMP

EQUAL SUCTION AND DISCHARGE

EXPLODED VIEW



Frame 56 C Shaft Arrangement



SEE PAGE 4 FOR PARTS INDEX

MODEL 4382 VERTICAL IN-LINE

EQUAL SUCTION AND DISCHARGE PUMP PARTS

INDEX

ITEM	DESCRIPTION	PAGE	ITEM	DESCRIPTION	PAGE
15	SET SCREW	48	62	MECHANICAL SEAL KIT	49
16	SET SCREW	48	70	SHAFT SLEEVE	49
17	SET SCREW	48	71	SHAFT SLEEVE SPACER	49
21	SHAFT EXTENSION	48	80	IMPELLER	41&42
36	SHAFT KEY	48	83	WASHER (IMPELLER)	49
39	WATER SLINGER	49	86	CAPSCREW (IMPELLER)	49
40	STUFF. BOX/ADAPTER	45,46&47	101	CASING GASKET	43
43	WASHER (MOTOR)	50	103	CASING CAPSCREW WASHER	44
44	CAPSCREW (MOTOR)	50	104	CASING CAPSCREW	44

DUALARM MODEL 4382 PUMP PARTS

.875 IMPELLER HUB 1.25 MECHANICAL SEAL

GROUP 2 ITEM 102 IMPELLER

PUMP SIZE	MATERIAL	IMP. BORE	MAX. DIA.	PART NUMBER	BAR CODE
3 X 3 X 6	BRONZE	.875	6"	427109-041	
3 X 3 X 6	CAST IRON	.875	6"	427109-011	
4 X 4 X 6	BRONZE	.875	6"	427103-041	
4 X 4 X 6	CAST IRON	.875	6"	427103-011	
6 X 6 X 6	BRONZE	.875	6"	427115-041	
6 X 6 X 6	CAST IRON	.875	6"	427115-011	
3 X 3 X 8	BRONZE	.875	8"	427121-041	
3 X 3 X 8	CAST IRON	.875	8"	427121-011	
4 X 4 X 8	BRONZE	.875	8"	427129-041	
4 X 4 X 8	CAST IRON	.875	8"	427129-011	
6 X 6 X 8	BRONZE	.875	8"	427137-041	
6 X 6 X 8	CAST IRON	.875	8"	427137-011	
8 X 8 X 8	BRONZE	.875	8"	427139-041	
8 X 8 X 8	CAST IRON	.875	8"	427139-011	
3 x 3 x 10	BRONZE	.875	10"	427151-041	
3 x 3 x 10	CAST IRON	.875	10"	427151-011	
4 x 4 x 10	BRONZE	.875	10"	427163-041	
4 x 4 x 10	CAST IRON	.875	10"	427163-011	
6 x 6 x 10	BRONZE	.875	10"	427149-041	
6 x 6 x 10	CAST IRON	.875	10"	427149-011	
8 x 8 x 10	BRONZE	.875	10"	427153-041	
8 x 8 x 10	CAST IRON	.875	10"	427153-011	

NOTES:

** Impeller Part Numbers are for full or maximum diameter Impellers. Always specify Pump Serial Number and where possible, measure and advise the diameter of the Impeller being replaced on these Pumps.

FOR GROUP 3 -- 1.25 IMPELLER HUB -- 1.625 MECHANICAL SEAL IMPELLERS SEE PAGE 6

DUALARM MODEL 4382 PUMP PARTS

1.25 IMPELLER HUB 1.625 MECHANICAL SEAL

GROUP 3 ITEM 102 IMPELLER

PUMP SIZE	MATERIAL	IMP. BORE	MAX. DIA.	PART NUMBER	BAR CODE
6 X 6 X 6	BRONZE	1.125	6"	427116-041	
6 X 6 X 6	CAST IRON	1.125	6"	427116-011	
3 X 3 X 8	BRONZE	1.125	8"	427122-041	
3 X 3 X 8	CAST IRON	1.125	8"	427122-011	
4 X 4 X 8	BRONZE	1.125	8"	427130-041	
4 X 4 X 8	CAST IRON	1.125	8"	427130-011	
6 X 6 X 8	BRONZE	1.125	8"	427138-041	
6 X 6 X 8	CAST IRON	1.125	8"	427138-011	
8 X 8 X 8	BRONZE	1.125	8"	427140-041	
8 X 8 X 8	CAST IRON	1.125	8"	427140-011	
3 x 3 x 10	BRONZE	1.125	10"	427152-041	
3 x 3 x 10	CAST IRON	1.125	10"	427152-011	
4 x 4 x 10	BRONZE	1.125	10"	427164-041	
4 x 4 x 10	CAST IRON	1.125	10"	427164-011	
6 x 6 x 10	BRONZE	1.125	10"	427150-041	
6 x 6 x 10	CAST IRON	1.125	10"	427150-011	
8 x 8 x 10	BRONZE	1.125	10"	427154-041	
8 x 8 x 10	CAST IRON	1.125	10"	427154-011	

NOTES:

** Impeller Part Numbers are for full or maximum diameter Impellers. Always specify Pump Serial Number and where possible, measure and advise the diameter of the Impeller being replaced on these Pumps.

**DUALARM
MODEL 4382
PUMP PARTS**

ALL SHAFT AND MECHANICAL SEAL SIZES

ITEM 101 CASING GASKET		
PUMP SIZE	PART NUMBER	BAR CODE
<p style="text-align: center;">3 X 3 X 6</p> <p style="text-align: center;">4 X 4 X 6</p> <p style="text-align: center;">6 X 6 X 6</p>	<p>426401-002</p>	
<p style="text-align: center;">3 X 3 X 8</p> <p style="text-align: center;">4 X 4 X 8</p> <p style="text-align: center;">6 X 6 X 8</p> <p style="text-align: center;">8 X 8 X 8</p>	<p>426401-003</p>	
<p style="text-align: center;">3 X 3 X 10</p> <p style="text-align: center;">4 X 4 X 10</p> <p style="text-align: center;">6 X 6 X 10</p> <p style="text-align: center;">8 X 8 X 10</p>	<p>426401-004</p>	

DUALARM MODEL 4382 PUMP PARTS

ALL SHAFT AND MECHANICAL SEAL SIZES

ITEM 104 CASING CAPSCREW & WASHER				
PUMP SIZE	NO. REQ'D	SIZE	PART NUMBER	BAR CODE
3 X 3 X 6 4 X 4 X 6 6 X 6 X 6	12	CAPSCREW 1/2" - 13NC X 1 1/4"LG.	911125-110	
	12	WASHER 1/2" - SAE FLAT	927117-100	
3 X 3 X 8 4 X 4 X 8 6 X 6 X 8 8 X 8 X 8	8	HX. HD. CAPSCREW 5/8" - 11NC X 1 1/2"LG.	911129-112	
	8	WASHER 5/8" - SAE FLAT	927121-100	
3 X 3 X 10 4 X 4 X 10 6 X 6 X 10 8 X 8 X 10	12	CAPSCREW 5/8" - 11NC X 1 1/2"LG.	911129-112	
	12	WASHER 5/8" - SAE FLAT	927121-100	

DUALARM MODEL 4382 PUMP PARTS

0.875 IMPELLER HUB 1.25 MECHANICAL SEAL

ITEM 40 & 50 CAST IRON COMB. STUFFING BOX & ADAPTER			
PUMP SIZE	MOTOR FRAME		BAR CODE
	56TC & 143 TO 184JM	213 TO 215JM	
3 X 3 X 6	426746-011		
3 X 3 X 6		426747-011	
4 X 4 X 6	426746-011		
4 X 4 X 6		426747-011	
6 X 6 X 6	426746-011		
6 X 6 X 6		426747-011	
3 X 3 X 8	426749-011		
4 X 4 X 8	426749-011		
6 X 6 X 8	426749-011		
8 X 8 X 8	426749-011		
3 X 3 X 10	426753-011		
4 X 4 X 10	426753-011		
6 X 6 X 10	426753-011		
8 X 8 X 10	426753-011		

The above Part Numbers are for B.F. and A.I. Construction, the suffix will change for other Constructions as follows:

Ductile Iron Construction - 031

All Bronze Construction - 041

Stainless Steel Construction - 071

**FOR 1.25 IMPELLER HUB 1.625 MECHANICAL SEAL
ITEM 40 & 50 COMBINATION STUFFING BOX & ADAPTER SEE PAGE 10**

FOR BAR CODES SEE PAGE 10

DUALARM MODEL 4382 PUMP PARTS

1.25 IMPELLER HUB 1.625 MECHANICAL SEAL

ITEM 40 & 50 COMB. STUFF. BOX & ADAPTER

PUMP SIZE	MOTOR FRAME			
	254-256JM	284-326JM	213-215JP	284-326JP
6 X 6 X 6	426748-011			
3 X 3 X 8	426751-011	426752-011	426750-011	
4 X 4 X 8	426751-011	426752-011	426750-011	
6 X 6 X 8	426751-015		426750-015	
8 X 8 X 8	426751-011		426750-011	
3 X 3 X 10	426755-011		426754-011	426756-011
4 X 4 X 10	426755-011		426754-011	426756-011
6 X 6 X 10	426755-015		426754-015	
8 X 8 X 10	426755-011		426754-011	426756-011

The above Part Numbers are for B.F. and A.I. Construction, the suffix will change for other Constructions as follows:
 Ductile Iron Construction -031 for -011 and -035 for -015
 All Bronze Construction -041 for -011 and -045 for -015
 Stainless Steel Construction -071 for -011 and -075 for -015

BAR CODES

426742-011		426752-015	
426743-011		426754-011	
426744-011		426754-015	
426748-011		426755-011	
426750-011		426755-015	
426750-015		426756-011	
426751-011		426758-011	
426751-015		424842-011	
426752-011			

**DUALARM
MODEL 4382
PUMP PARTS**

1.25 IMPELLER HUB 1.625 MECHANICAL SEAL

PARTS FOR FRAME 56TC ONLY

ITEM NO.	DESCRIPTION	CONST.	PART NUMBER	BAR CODE
15	ALLEN SET SCREW (1 REQ'D) CONE PT. 1/4-20 X 5/16" LG.	ALL	916517-005	
16	ALLEN SET SCREW (1 REQ'D) CUP PT. 5/16-18 X 1/4" LONG	ALL	916519-104	
17	ALLEN SET SCREW (2 REQ'D) DOG PT. 1/4-20X5/16" LONG	ALL	916517-205	
21	SHAFT EXTENSION	ALL	426992-071	
36	SHAFT KEY	ALL	974515-400	

DUALARM MODEL 4382 PUMP PARTS

COMMON PARTS .875 IMPELLER HUB 1.25 MECHANICAL SEAL FOR MOTOR FRAMES 143JM TO 215JM

ITEM NO.	DESCRIPTION	CONST.	PART NUMBER	BAR CODE
39	WATER SLINGER	ALL	406622-000	
62K	MECHANICAL SEAL KIT	ALL	975000-982**	
70	SHAFT SLEEVE	ALL	425869-001	
70	SHAFT SLEEVE	ALL	425869-002	
71	SLEEVE SPACER	ALL	425868-005	
83	IMPELLER WASHER	ALL	425742-001	
86	IMPELLER CAPSCREW	ALL	911900-114	

** For liquids above 200°F/93°C use 9975001-813 (-613 if potable drinking water above 200°F/93°C)
For glycols above 30% by weight use 9975001-817 (-818 if above 200°F/93°C)

COMMON PARTS 1.25 IMPELLER HUB 1.625 MECHANICAL SEAL

ITEM NO.	DESCRIPTION	CONST.	PART NUMBER	BAR CODE
39	WATER SLINGER	ALL	419315-000	
62	MECHANICAL SEAL KIT	ALL	975000-984**	
70	SHAFT SLEEVE FRAMES 254-256 & 284-326JM	B.F.	425869-003	
70	SHAFT SLEEVE FRAMES 254-256 & 284-326JM	A.I.	425869-004	
70	SHAFT SLEEVE FRAMES 213-215 & 284-326JP	B.F.	425869-021	
70	SHAFT SLEEVE FRAMES 213-215 & 284-326JP	A.I.	425869-022	
71	SLEEVE SPACER	ALL	425868-004	
83	IMPELLER WASHER	ALL	425742-003	
84	IMPELLER LOCKWASHER	ALL	927213-400	
86	IMPELLER CAPSCREW	ALL	911900-119	

** For liquids above 200°F/93°C use 9975001-833 (-633 if potable drinking water above 200°F/93°C)
For glycols above 30% by weight use 9975001-837 (-838 if above 200°F/93°C)

**DUALARM
MODEL 4382
PUMP PARTS**

ITEM 43 & 44 MOTOR CAPS. & WASHER

PUMP SIZE	MOTOR FRAME			
	56 TC 143-184JM	213-215JM	213-215JP 254-256JM	284-326JP 284-326JM
	4 REQUIRED	4 REQUIRED	4 REQUIRED	4 REQUIRED
2 X 2 X 6	CAPSCREW 3/8"NC 1" LONG 911121-108 WASHER 3/8" FLAT 927113-100	CAPSCREW 1/2"-13NC 1" LONG 911125-108 WASHER 1/2" FLAT 927117-100	CAPSCREW 1/2"-13NC 1 1/4" LONG 911125-110 WASHER 1/2" FLAT 927117-100	CAPSCREW 5/8"-11NC 1 1/4" LONG 911129-110 WASHER 5/8" FLAT 927121-100
3 X 3 X 6				
4 X 4 X 6				
2 X 2 X 8				
3 X 3 X 8				
4 X 4 X 8				
5 X 5 X 8				
6 X 6 X 8				
8 x 8 x 8				
2 X 2 X 10				
3 X 3 X 10				
3 X 3 X 10				
4 X 4 X 10				
6 X 6 X 10				
8 X 8 X 10				

BAR CODES

911121-108		911129-110		927113-100	
911125-108		911129-112		927117-100	
911125-110		911129-114		927121-100	