

Parts list

Series 4392 close-coupled Vertical In-Line twin pump

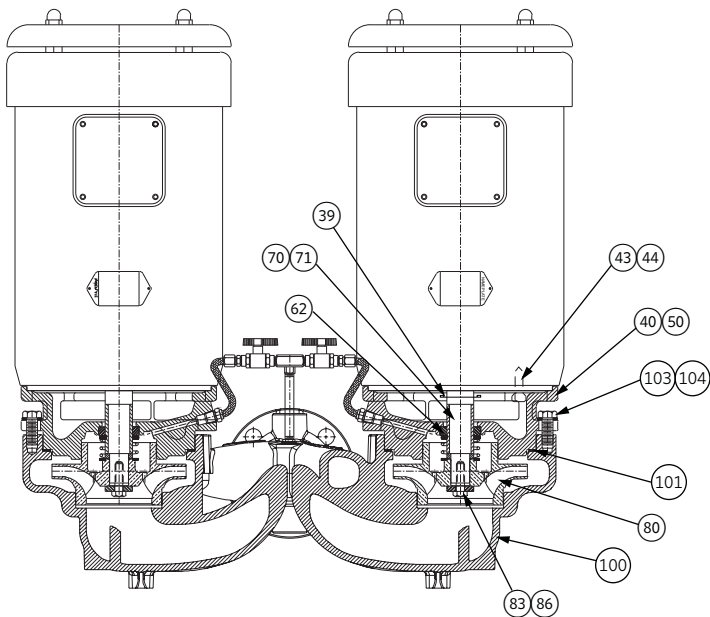
7/8" impeller bore - 1 1/4" mechanical seal

File No: 6043T.110
Date: JULY 16, 2012
Supersedes: NEW
Date: NEW

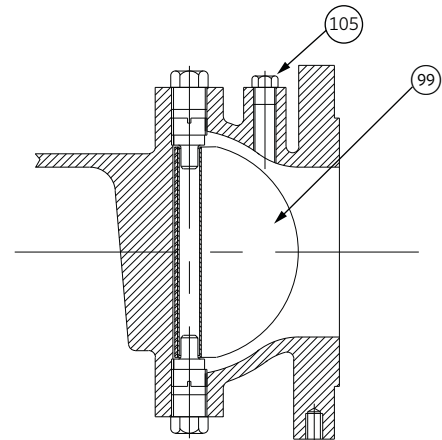
Model 4392

Vertical In-Line twin pump

$\frac{7}{8}$ " IMPELLER BORE - $1\frac{1}{4}$ " MECHANICAL SEAL



4392 CUTAWAY



FLAPPER VALVE ASSEMBLY

INDEX

ITEM	DESCRIPTION	PAGE	ITEM	DESCRIPTION	PAGE	
100	CASING	3		ALLEN SET SCREW (1 REQUIRED) CUP POINT $\frac{5}{16}$ - $18 \times \frac{1}{4}$ " LONG	9	
101	CASING GASKET	3		ALLEN SET SCREW (2 REQUIRED) DOG POINT $\frac{1}{4}$ - $20 \times \frac{5}{16}$ " LONG	9	
103	CASING CAPSCREW	4		SHAFT EXTENSION	9	
104	WASHER	4		SHAFT KEY	9	
105	CASING DRAIN PLUG	4		SPACER IMPELLER	9	
	CASING GAUGE PLUG	5		70	SHAFT SLEEVE	9
99	FLAPPER VALVE ASSEMBLY	5	71	SLEEVE SPACER	9	
80	IMPELLER	6	62	MECHANICAL SEAL KIT	10	
40	CAST IRON COMP. STUFFING BOX	7	39	WATER SLINGER	10	
50	ADAPTER	7	83	IMPELLER WASHER	10	
43	MOTOR CAPSCREW	8	86	IMPELLER CAPSCREW	10	
44	WASHER	8		FLUSH LINE ASSEMBLY	10	
	ALLEN SET SCREW (1 REQUIRED) CONE POINT $\frac{1}{4}$ - $20 \times \frac{5}{16}$ " LONG	9		SERVICE COVER KIT	11	

Model 4392

Vertical In-Line twin pump

7/8" IMPELLER BORE - 1 1/4" MECHANICAL SEAL

ITEM 100 CASING (Without flapper valve assembly and casing wearing-ring)

PUMP SIZE	PART NUMBER ANSI 125 - C.I.
2 × 2 × 6	427759-011
3 × 3 × 6	427311-011
4 × 4 × 6	427832-011
2 × 2 × 8	427828-011
3 × 3 × 8	427803-011
4 × 4 × 8	427830-011
6 × 6 × 8	427831-011
2 × 2 × 10	427758-011
3 × 3 × 10	427829-011
4 × 4 × 10	427827-011
4 × 4 × 13	427802-011
5 × 5 × 13	427383-011

ITEM 101 CASING GASKET

PUMP SIZE	PART NUMBER
2 × 2 × 6	
3 × 3 × 6	426401-002
4 × 4 × 6	
2 × 2 × 8	
3 × 3 × 8	426401-003
4 × 4 × 8	
6 × 6 × 8	
2 × 2 × 10	
3 × 3 × 10	426401-004
4 × 4 × 10	
4 × 4 × 13	426401-005
5 × 5 × 13	

4

Model 4392

Vertical In-Line twin pump

 $\frac{7}{8}$ " IMPELLER BORE - $1\frac{1}{4}$ " MECHANICAL SEAL

ITEM 103 & 104 CASING CAPSCREW & WASHER

PUMP SIZE	NO. REQUIRED	SIZE	PART NUMBER
2 × 2 × 6		CAPSCREW $\frac{1}{2}$ " - 13NC × $1\frac{1}{2}$ " LONG	911125-112
3 × 3 × 6	16	WASHER $\frac{1}{2}$ " - SAE FLAT	927118-100
4 × 4 × 6		LOCK WASHER $\frac{1}{2}$ "	927213-100
2 × 2 × 8		HX. HD. CAPSCREW $\frac{5}{8}$ " - 11NC × $1\frac{1}{2}$ " LONG	911129-112
3 × 3 × 8	16	WASHER $\frac{5}{8}$ " - SAE FLAT	927121-100
4 × 4 × 8			
6 × 6 × 8			
2 × 2 × 10		CAPSCREW $\frac{5}{8}$ " - 11NC × $1\frac{1}{2}$ " LONG	911129-112
3 × 3 × 10	24	WASHER $\frac{5}{8}$ " - SAE FLAT	927121-100
4 × 4 × 10			
4 × 4 × 13	32	CAPSCREW $\frac{5}{8}$ " - 11NC × $1\frac{3}{4}$ " LONG	911129-114
5 × 5 × 13		WASHER $\frac{5}{8}$ " - SAE FLAT	927121-100

ITEM 105 CASING DRAIN PLUG

PUMP SIZE	NO. REQUIRED	MATERIAL	SIZE	PART NUMBER
ALL	2	CAD PLATED	$\frac{1}{4}$ " NPT	937105-201

Model 4392

Vertical In-Line twin pump

$\frac{7}{8}$ " IMPELLER BORE - $1\frac{1}{4}$ " MECHANICAL SEAL

CASING GAUGE PLUG

PUMP SIZE	NO. REQUIRED	MATERIAL	SIZE	PART NUMBER
ALL	4	CAD PLATED	$\frac{1}{4}$ " NPT	937105-201
ALL	2	CAD PLATED	$\frac{1}{2}$ " NPT	937105-203

ITEM 99 FLAPPER VALVE ASSEMBLY

PUMP SIZE	PART NUMBER
2 × 2 × 6	FV-50A
3 × 3 × 6	FV-80A
4 × 4 × 6	FV-100A
2 × 2 × 8	FV-50A
3 × 3 × 8	FV-80A
4 × 4 × 8	FV-100A
6 × 6 × 8	FV-150A
2 × 2 × 10	FV-50A
3 × 3 × 10	FV-80A
4 × 4 × 10	FV-100A
4 × 4 × 13	FV-100A
5 × 5 × 13	FV-125A

Model 4392

Vertical In-Line twin pump

$\frac{7}{8}$ " IMPELLER BORE - $1\frac{1}{4}$ " MECHANICAL SEAL

ITEM 80 IMPELLER**

PUMP SIZE	MATERIAL	IMPELLER BORE	MAXIMUM DIAMETER	PART NUMBER
2 × 2 × 6	BRONZE	$\frac{7}{8}$ "	6.188"	427109-041
		$1\frac{1}{4}$ "		N/A
3 × 3 × 6	BRONZE	$\frac{7}{8}$ "	6.188"	427103-041
		$1\frac{1}{4}$ "		N/A
4 × 4 × 6	BRONZE	$\frac{7}{8}$ "	6.188"	427115-041
		$1\frac{1}{4}$ "		427116-041
2 × 2 × 8	BRONZE	$\frac{7}{8}$ "	8.188"	427121-041
		$1\frac{1}{4}$ "		427122-041
3 × 3 × 8	BRONZE	$\frac{7}{8}$ "	8.188"	427129-041
		$1\frac{1}{4}$ "		427130-041
4 × 4 × 8	BRONZE	$\frac{7}{8}$ "	8.188"	427137-041
		$1\frac{1}{4}$ "		427138-041
6 × 6 × 8	BRONZE	$\frac{7}{8}$ "	8.188"	427139-041
		$1\frac{1}{4}$ "		427140-041
2 × 2 × 10	BRONZE	$\frac{7}{8}$ "	10.187"	427179-041
		$1\frac{1}{4}$ "		427180-041
3 × 3 × 10	BRONZE	$\frac{7}{8}$ "	10.188"	427163-041
		$1\frac{1}{4}$ "		427164-041
4 × 4 × 10	BRONZE	$\frac{7}{8}$ "	10.188"	427149-041
		$1\frac{1}{4}$ "		427150-041
4 × 4 × 13	BRONZE	$\frac{7}{8}$ "	13.180"	N/A
		$1\frac{1}{4}$ "		427169-041
5 × 5 × 13	BRONZE	$1\frac{1}{4}$ "	13.188"	427186-041

NOTE:

** Impeller part numbers are for full or maximum diameter Impellers. Always specify pump serial number and where possible, measure and indicate the diameter of the Impeller being replaced on these pumps.

Model 4392

Vertical In-Line twin pump

7/8" IMPELLER BORE - 1 1/4" MECHANICAL SEAL

ITEM 40 & 50 CAST IRON COMP. STUFFING BOX & ADAPTER

PUMP SIZE	MOTOR FRAME					
	56C & 143-184JM	213-215JM	213-215JP	254-256JM	284-326JM	284-326JP
2 × 2 × 6	426746-011	426747-011				
3 × 3 × 6	426746-011	426747-011				
4 × 4 × 6	426746-011	426747-011		426748-011		
2 × 2 × 8	426749-011		426750-011	426751-011	426752-011	
3 × 3 × 8			426750-011	426751-011	426752-011	
4 × 4 × 8	426749-011		426750-015	426751-015		
6 × 6 × 8	426749-011		426750-011	426751-011		
2 × 2 × 10	426753-011		426754-011	426755-011		426756-011
3 × 3 × 10	426753-011		426754-011	426755-011		426756-011
4 × 4 × 10	426753-011		426754-015	426755-015		
4 × 4 × 13						426758-011
5 × 5 × 13			SEE BELOW			426758-011

ITEM 50 STUFFING BOX

PUMP SIZE	MOTOR FRAME	PART NUMBER
13"	210-250JP	426545-011

ITEM 40 ADAPTER

PUMP SIZE	MOTOR FRAME	PART NUMBER
13"	210-250JP	426388-011*
13"	250JM	426759-011
13"	280-320JP	426758-011

NOTE:

* For bronze fitted construction.

Model 4392

Vertical In-Line twin pump

7/8" IMPELLER BORE - 1 1/4" MECHANICAL SEAL

ITEM 43 & 44 MOTOR CAPSCREW & WASHER

(8 required of each)

PUMP SIZE	MOTOR FRAME					
	56c & 143-184JM	213-215JM	213-215JP 254-256JM (13)	254-256JM	284-326JM	284-326JP
2 x 2 x 6	CAPSCREW 3/8" NC x 1"	CAPSCREW 1/2" - 13NC x 1"				
3 x 3 x 6	PART #: 911121-108	PART #: 911125-108				
4 x 4 x 6*	WASHER 3/8" FLAT	WASHER 1/2" FLAT	CAPSCREW 1/2" - 13NC x 1 1/4"	CAPSCREW 1/2" - 13NC x 1 1/4"	CAPSCREW 5/8" - 11NC x 1 1/4"	CAPSCREW 5/8" - 11NC x 1 1/4"
2 x 2 x 8**	PART #: 927113-100	PART #: 927117-100	PART #: 911125-110	PART #: 911125-110	PART #: 911129-110	PART #: 911129-110
3 x 3 x 8**			WASHER 1/2" FLAT	WASHER 1/2" FLAT	WASHER 5/8" FLAT	WASHER 5/8" FLAT
4 x 4 x 8**			PART #: 927117-100	PART #: 927117-100	PART #: 927121-100	PART #: 927121-100
6 x 6 x 8**						
2 x 2 x 10†					CONSULT FACTORY	
3 x 3 x 10†						
4 x 4 x 10†						
4 x 4 x 13						CAPSCREW 5/8" - 11NC x 1 3/4"
5 x 5 x 13						PART #: 911129-110
						WASHER 5/8" FLAT PART #: 927121-100

NOTE:

* 4x4x6 HAVE NO 210JP, 280-320JP, 280JM

** 8" PUMPS HAVE NO 210JM, 2480-320JP

† 10" PUMPS HAVE NO 210JM

Model 4392

Vertical In-Line twin pump

$\frac{7}{8}$ " IMPELLER BORE - $1\frac{1}{4}$ " MECHANICAL SEAL

PARTS FOR FRAME 56TC ONLY

DESCRIPTION	CONSTRUCTION	PART NUMBER
ALLEN SET SCREW (1 REQUIRED) CONE POINT $\frac{1}{4}$ - $20 \times \frac{5}{16}$ " LONG		916517-005
ALLEN SET SCREW (1 REQUIRED) CUP POINT $\frac{5}{16}$ - $18 \times \frac{1}{4}$ " LONG		916519-104
ALLEN SET SCREW (2 REQUIRED) DOG POINT $\frac{1}{4}$ - $20 \times \frac{5}{16}$ " LONG		916517-205
SHAFT EXTENSION		426992-071
SHAFT KEY		428160-708
SPACER - IMPELLER		425868-001

ITEMS 70 & 71 SHAFT SLEEVE & SPACER

ITEM NO.	DESCRIPTION	SEAL SIZE	CONSTRUCTION	PART NUMBER
70	SHAFT SLEEVE	$1\frac{1}{4}$ "	BRONZE FITTED	425869-001
	SHAFT SLEEVE	$1\frac{1}{4}$ "	ALL IRON	425869-002
	SHAFT SLEEVE	$1\frac{5}{8}$ "	BRONZE FITTED	425869-003
	SHAFT SLEEVE	$1\frac{5}{8}$ "	ALL IRON	425869-004
	SHAFT SLEEVE	$1\frac{5}{8}$ "	BRONZE FITTED	425869-021
	SHAFT SLEEVE	$1\frac{5}{8}$ "	ALL IRON	425869-022
71	SLEEVE SPACER	$1\frac{1}{4}$ "	ALL	425868-005
	SLEEVE SPACER	$1\frac{5}{8}$ "	ALL	425868-004
70 & 71	SHAFT SLEEVE & SPACER KITS	$1\frac{1}{4}$ "	BRONZE FITTED	810150-150
	SHAFT SLEEVE & SPACER KITS	$1\frac{1}{4}$ "	ALL IRON	810150-151
	SHAFT SLEEVE & SPACER KITS	$1\frac{5}{8}$ "	BRONZE FITTED	810150-154
	SHAFT SLEEVE & SPACER KITS	$1\frac{5}{8}$ "	ALL IRON	810150-155
	SHAFT SLEEVE & SPACER KITS	$1\frac{5}{8}$ "	BRONZE FITTED	810150-152
	SHAFT SLEEVE & SPACER KITS	$1\frac{5}{8}$ "	ALL IRON	810150-153

Model 4392

Vertical In-Line twin pump

$\frac{7}{8}$ " IMPELLER BORE - $1\frac{1}{4}$ " MECHANICAL SEAL

COMMON PARTS

ITEM NO.	DESCRIPTION	IMPELLER BORE	CONSTRUCTION	PART NUMBER
62	MECHANICAL SEAL KIT	$\frac{7}{8}$ "	ALL	975000-982*
		$1\frac{1}{4}$ "		975000-984**
39	WATER SLINGER	$\frac{7}{8}$ "	ALL	406622-000
		$1\frac{1}{4}$ "		411343-001
83	IMPELLER WASHER	$\frac{7}{8}$ "	ALL	425742-001
		$1\frac{1}{4}$ "		425742-003
86	IMPELLER CAPSCREW	$\frac{7}{8}$ "	ALL	911900-114
		$1\frac{1}{4}$ "		911900-119

NOTE:

* Suitable for potable/drinking water. For non-potable water use 9975000-981

** Suitable for potable/drinking water. For non-potable water use 9975000-983

FLUSH LINE ASSEMBLY (FLUSH LINE ADAPTER AND FLUSH LINE)

Call factory

Model 4392

Vertical In-Line twin pump

$\frac{7}{8}$ " IMPELLER BORE - $1\frac{1}{4}$ " MECHANICAL SEAL

SERVICE COVER KIT

(Kit includes one service cover and one casing gasket)

PUMP SIZE	PART NUMBER
2 × 2 × 6	
3 × 3 × 6	427804-0612
4 × 4 × 6	
<hr/>	
2 × 2 × 8	
3 × 3 × 8	427804-0812
4 × 4 × 8	
6 × 6 × 8	
<hr/>	
2 × 2 × 10	
3 × 3 × 10	427804-1012
4 × 4 × 10	
<hr/>	
4 × 4 × 13	427804-1312
5 × 5 × 13	

NOTE:

** Suitable for potable/drinking water

TORONTO

23 BERTRAND AVENUE
TORONTO, ONTARIO
CANADA
M1L 2P3
+416 755 2291

BUFFALO

93 EAST AVENUE
NORTH TONAWANDA, NEW YORK
U.S.A.
14120-6594
+716 693 8813

BIRMINGHAM

HEYWOOD WHARF, MUCKLOW HILL
HALESOWEN, WEST MIDLANDS
UNITED KINGDOM
B62 8DJ
+44 (0) 8444 145 145

MANCHESTER

WENLOCK WAY
MANCHESTER
UNITED KINGDOM
M12 5JL
+44 (0) 8444 145 145

BANGALORE

#59, FIRST FLOOR, 3RD MAIN
MARGOSA ROAD, MALLESWARAM
BANGALORE, INDIA
560 003
+91 (0) 80 4906 3555

SHANGHAI

NO. 1619 HU HANG ROAD, XI DU TOWNSHIP
FENG XIAN DISTRICT, SHANGHAI
P.R.C.
201401
+86 21 3756 6696

ARMSTRONG INTEGRATED
ESTABLISHED 1934

ARMSTRONGINTEGRATED.COM

MAKING
ENERGY
MAKE
SENSE™