

Installation & Operating Instructions

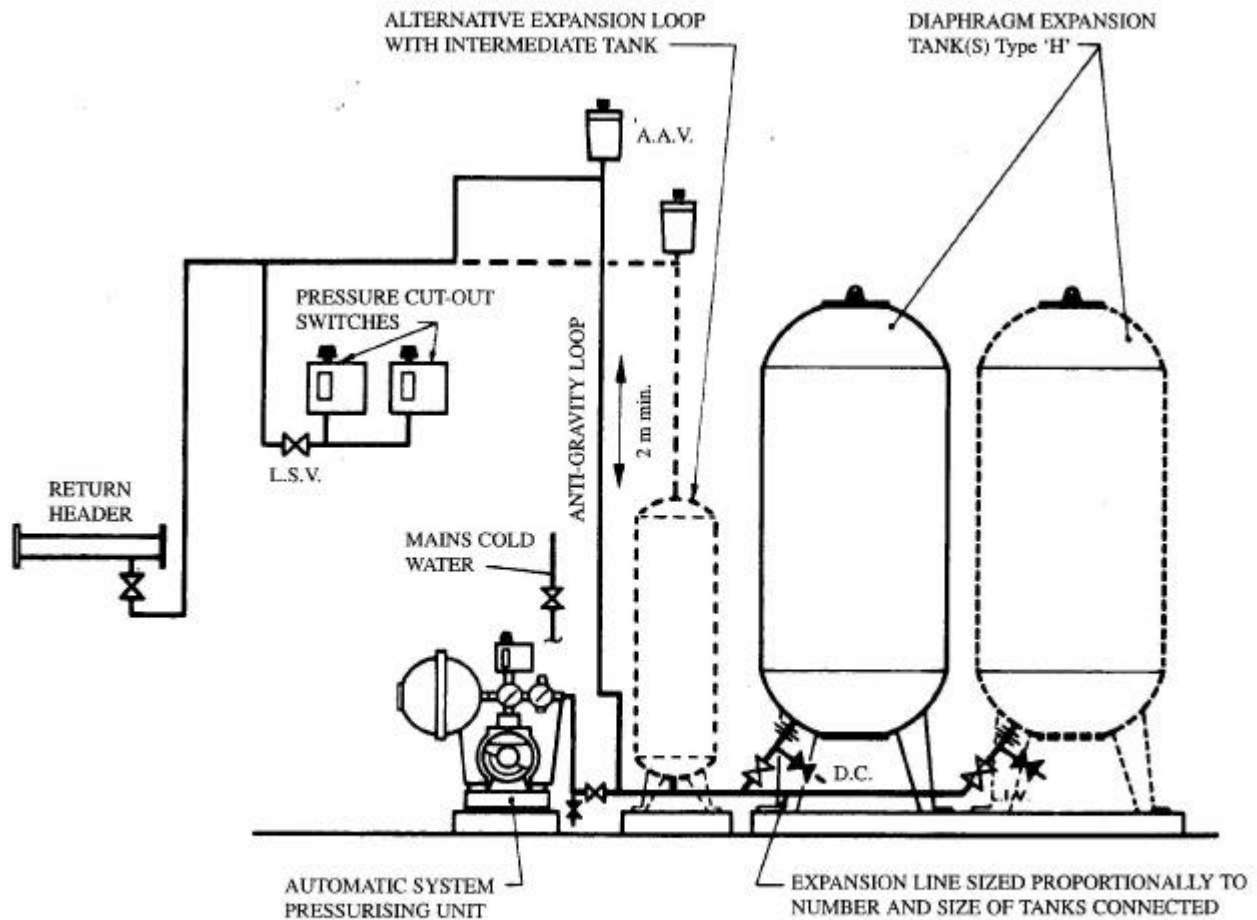
PRESSURE CUT OUT SWITCHES

Model SBO 74

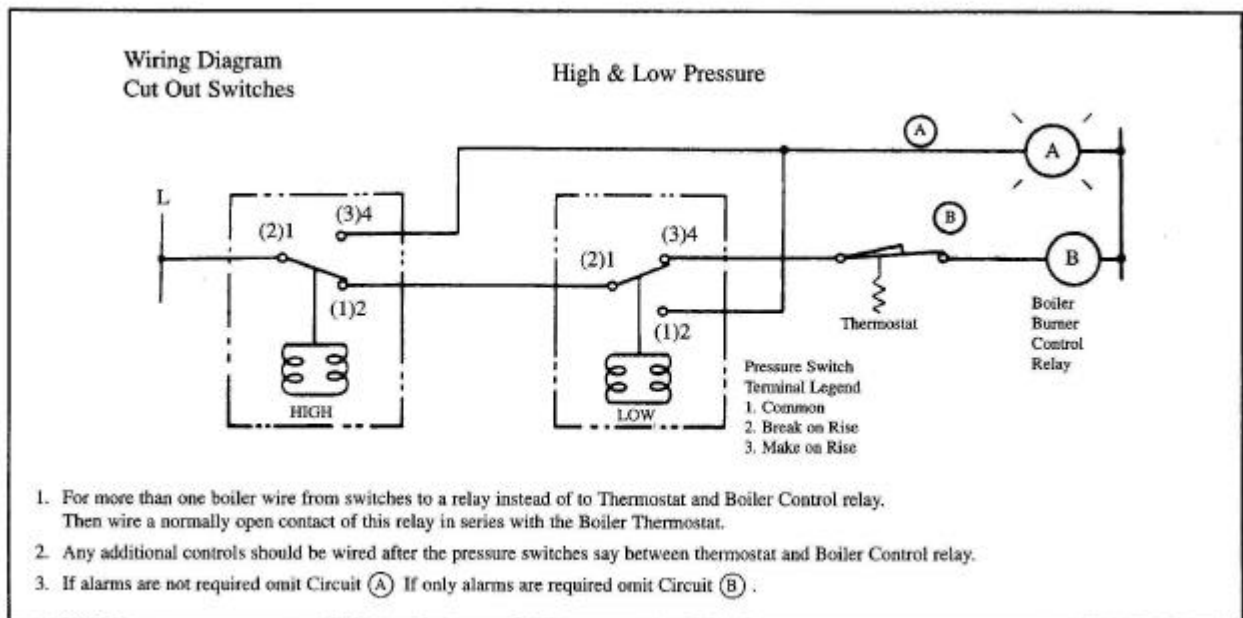
Position the pressure cut out switches in the system as indicated on the drawing below. The pressure switch is supplied complete with a bracket which makes it suitable for wall mounting.

IMPORTANT: ALWAYS USE A SPANNER WHEN CONNECTING THE SWITCH TO WATER SYSTEM TO AVOID DISTORTING THE SWITCH CASING. DO NOT TWIST SWITCH CASING BY HAND.

Installation Diagram



NOTE: Pipework from the system to the expansion tanks should not be lagged and should not be smaller in bore than that of tank connection



1. Settings – High Pressure Cut Out Switch

- a. 'Range Scale' setting should be set at 0.35 bar (5 psi) below safety valve setting. If the circulating pump is in the return this valve should be reduced by the pump head.
- b. 'Differential Scale' the setting is arbitrary and unless given on the specification or drawing set at 0.7 bar (10 psi).

2. Settings – Low Pressure Cut Out Switch

- a. 'Range Scale' setting equals air cushion pressure, minus 0.15 bar (2 psi).
- b. 'Differential Scale' setting – set to minimum.

Adjustment procedure:

1. Remove the centre screw from the plastic knob on top of the switch and remove knob.
2. Gently lift the metal pear-shaped locking plate from the splines.
3. The two indicators, Range Scale and Differential Scale, may now be adjusted using the plastic knob or a screw driver.
4. It is recommended that the locking plate is replaced after adjustments have been made.

NOTE: FOR INSTALLATION INSTRUCTIONS ON SPU 502/503 UNITS REFER TO 8-1/OM/4.

Experience Building...

Export Sales
Peartree Road, Stanway
Colchester, Essex
United Kingdom, CO3 0LP
T +44 (0)1206 579491
F +44 (0)1206 760532
E export@armlink.com

UK HVAC Sales North
Wenlock Way
Manchester
United Kingdom, M12 5JL
T +44 (0) 1612 232223
F +44 (0) 1612 209660
E salesuk@armlink.com

UK HVAC Sales South/Service
21-23 Ormside Way
Holmesthorpe Industrial Estate
Redhill, Surrey, RH1 2NT
T +44 (0) 1737 378100
F +44 (0) 1737 378140
E salesuk@armlink.com

ARMSTRONG
HOLDEN BROOKE PULLEN 

For Armstrong locations worldwide, please visit www.armstrongpumps.com