



Vertical In-Line Pump

Design Envelope,
IVS & Conventional

Parts list

File No: 6012.100IEC

Date: FEBRUARY 09, 2024

Supersedes: 6012.100IEC

Date: JANUARY 20, 2023

—

—

—

—

CONTENTS

INTRODUCTION	4
4300, 4302 & 4312 PARTS LIST	5
4380, 4382 & 4392 PARTS LIST	6
4300/4302/4312/4380/4382/4392 CASING GASKET COUPLING KIT	7 8
4300, 4302 & 4312 MECHANICAL SEAL KIT (INDIA, CHINA, APR & MIDDLE EAST)	10
4300, 4302 & 4312 REPLACEMENT SEAL (INDIA, CHINA, APR & MIDDLE EAST)	11
4300, 4302 & 4312 REPLACEMENT SEAL KIT (INDIA, CHINA, APR & MIDDLE EAST)	12
4300, 4302 & 4312 MECHANICAL SEAL KIT (UK & EUROPE)	14
4300, 4302 & 4312 REPLACEMENT SEAL (UK & EUROPE)	14
4300, 4302 & 4312 REPLACEMENT SEAL KIT (UK & EUROPE)	15
4380, 4382 & 4392 MECHANICAL SEAL KIT (INDIA, CHINA, APR, MIDDLE EAST, UK & EUROPE)	17
4380 REPLACEMENT SEAL	17
4380, 4382 & 4392 REPLACEMENT SEAL KIT (INDIA, CHINA, APR, MIDDLE EAST, UK & EUROPE)	17
STANDARD FLUSH LINE REPLACEMENT PARTS AND KITS	20

Introduction

Armstrong was founded on the core values of Community, Service, Learning and Innovation. Reflecting our commitment to service, Armstrong now provides 360 Service and Support. Working collaboratively with the 'partner' companies in our network, we're ready to provide the service and support that customers need in relation to building performance.

A key part of serving our customers is providing Genuine Armstrong Replacement Parts to support installations of our products. But the value we provide goes beyond the quality of the replacement part.

With the availability of parts in packaged kits, you'll never have to leave a repair incomplete just because you didn't have all the pieces required for the job. And you won't have to pay a premium for rush delivery of additional parts.

Your customers will be happier, because their mechanical systems will be returned to service earlier. That means you'll be more likely to get their repeat business.

The Armstrong replacement parts program serves contractors and end customers through a combination of: Availability, Easy Selection, Easy Transactions, Quick Delivery and Technical Support.

AVAILABILITY

- Dedicated service parts inventory
- Real-time inventory information
- Active channel inventory management

EASY SELECTION

- Parts selection charts with updated descriptions, pictures and sizing details
- Illustrated part selection information
- Product details on packaging
- All items within each Parts Kit are carefully selected for accurate sizing

EASE OF TRANSACTION

- Parts and Kits available in [ADEPT](#) Locator tool for local parts dealers
- Complete parts kits reduce the work to source items. One search and one order address a service issue

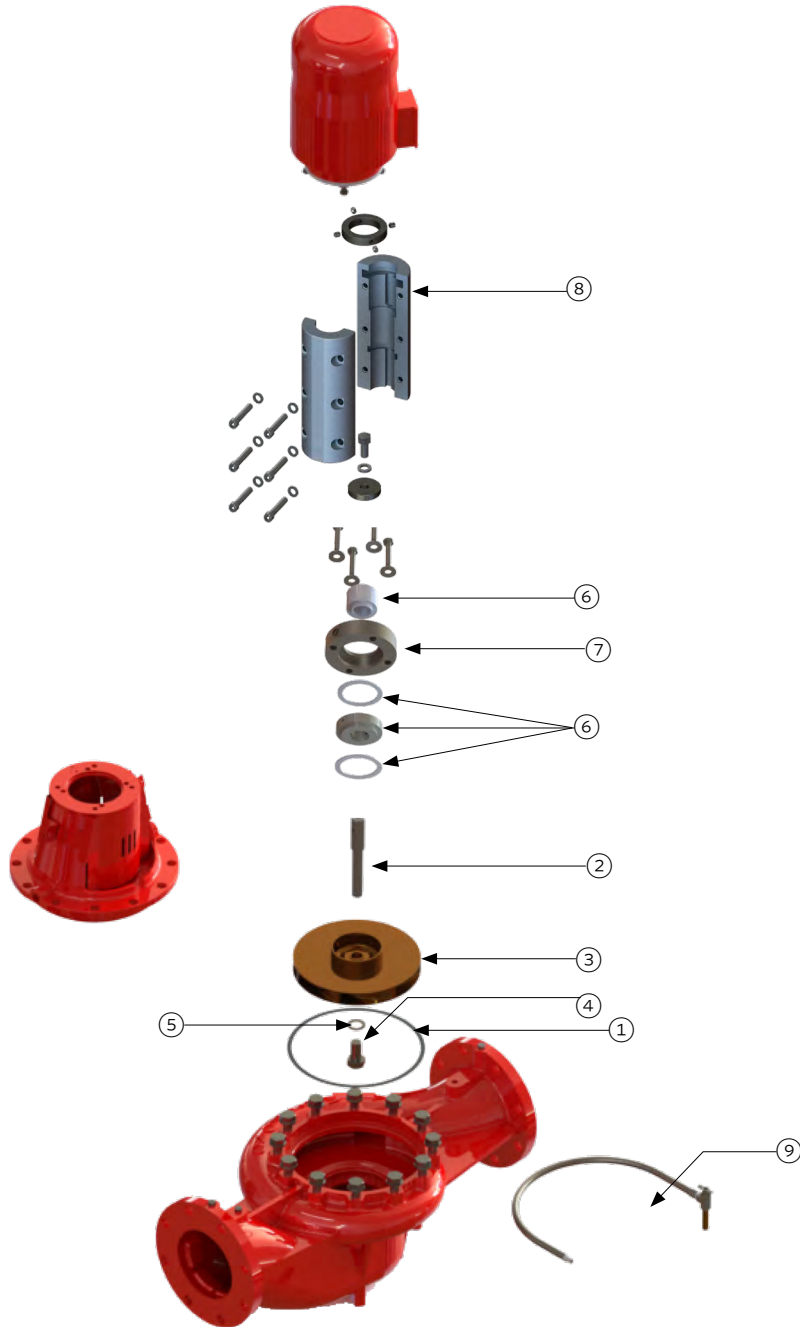
QUICK DELIVERY OF PARTS SOLUTIONS

- On-time shipment
- Options for shipping service levels
- Parts Kits include all parts and related items required to complete replacement work

SUPPORT

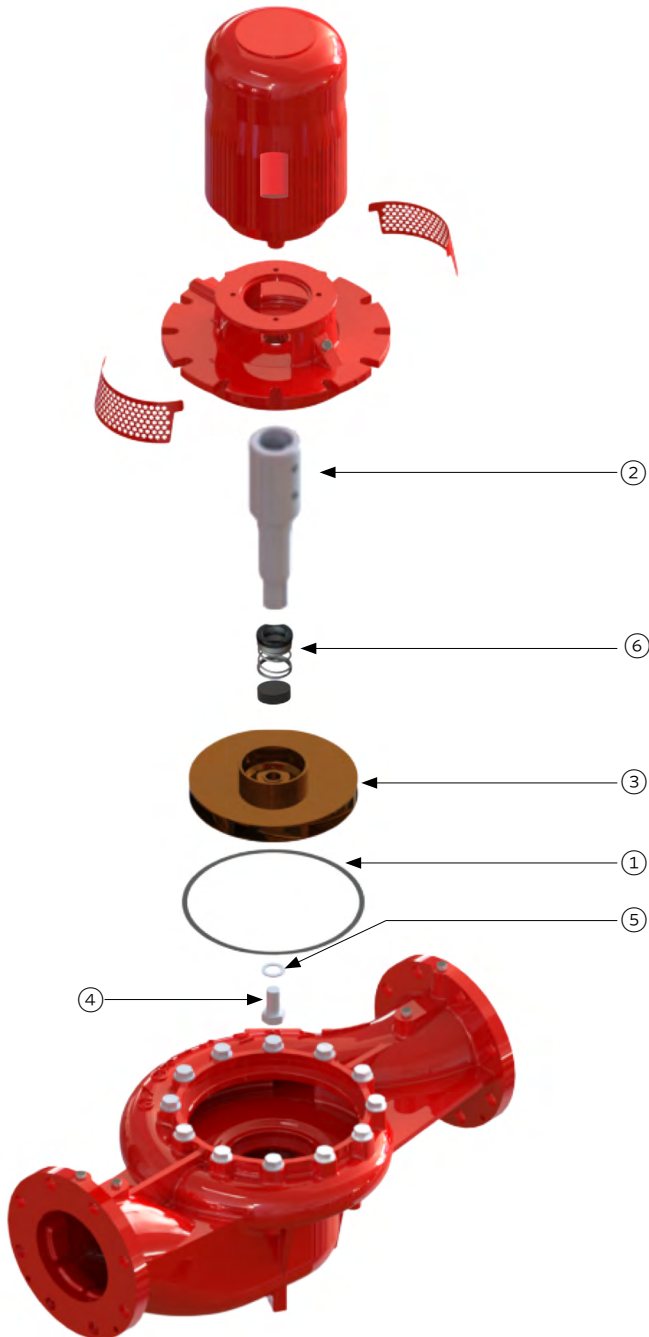
- Trained Armstrong support professionals
- Dedicated 24x7 service and support parts

4300, 4302 & 4312 PARTS LIST



ITEM	DESCRIPTION
①	Casing Gasket
⑧	Coupling
⑦	Cover Seal
⑨	Flush Line
③	Impeller
④	Impeller Cap Screw
⑤	Impeller Washer
⑥	Mechanical Seal
②	Shaft

4380, 4382 & 4392 PARTS LIST



ITEM	DESCRIPTION
①	Casing Gasket
③	Impeller
④	Impeller Cap Screw
⑤	Impeller Washer
⑥	Mechanical Seal
②	Shaft

4300/4302/4312/4380/4382/4392 CASING GASKET



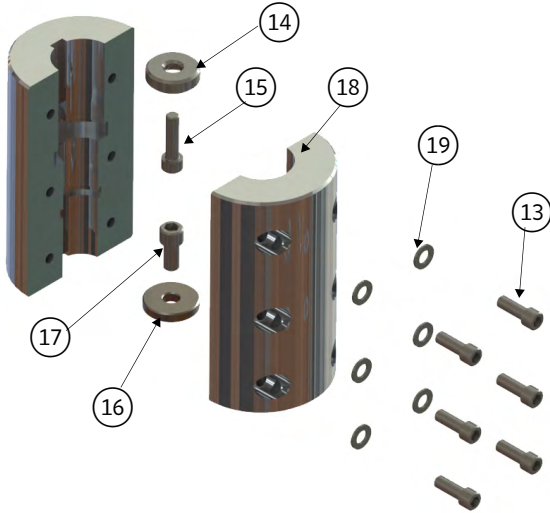
ITEM	DESCRIPTION
①	Casing Gasket

PUMP SIZE	PART NUMBER	QTY REQUIRED
40-150	8426401-002	1
50-150		
80-150		
100-150		
150-150		
65-190	8426401-003	1
80-190		
125-190		
40-200	8426401-003	1
50-200		
80-200		
100-200		
125-200		
150-200		
200-200		
50-250	8426401-004	1
80-250		
100-250		
150-250		
200-250		

PUMP SIZE	PART NUMBER	QTY REQUIRED
100-290	8426401-006	1
125-290		
150-290		
200-290		
80-330	8426401-005	1
100-330		
100-330L		
125-330		
125-330H		
150-330		
150-330H		
200-330		
250-330	8426401-008	1
300-330		
200-375		
250-375	8426401-002	1
300-380		
400-380		
80-150B*	8426401-002	1
100-150C*		
125-150*		

* 4300/4380 Medium Pump Casing Gasket

COUPLING KIT



ITEM	DESCRIPTION
⑬	Capscrew
⑭	Motor Collar
⑮	Motor Shaft Capscrew
⑯	Pump Collar
⑰	Pump Shaft end Capscrew
⑱	Split Coupling
⑲	Washer

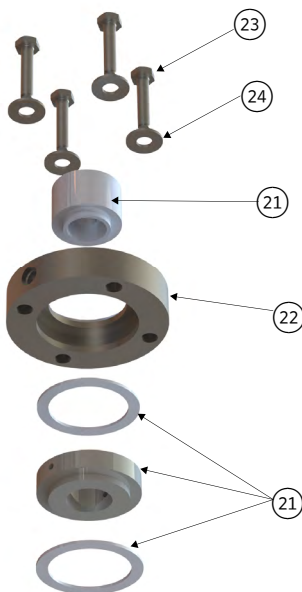
PUMP SIZE	POWER (kW) & POLES	MOTOR FRAME	PART NUMBER	QTY REQUIRED
40-150				
50-150				
80-150				
100-150				
40-200	0.55-4P	80	8427741-000K	1
50-200	0.75-4P			
80-200	1.10-2P			
100-200				
125-200				
50-250				
80-250				
40-150				
50-150				
80-150	1.1-4P	90S	8427742-000K	1
100-150	1.5-2P	90L		
150-150	& 4P			
40-200	2.2-2P			
50-200				
80-200				
100-200				
125-200	1.1-4P	90S	8427742-000K	1
150-200	1.5-2P	90L		
50-250	& 4P			
80-250	2.2-2P			
100-250				
100-200				
125-200	1.1-4P	90S	8427742-000K	1
150-200	1.5-2P	90L		
50-250	& 4P			
80-250	2.2-2P			
100-250				

PUMP SIZE	POWER (kW) & POLES	MOTOR FRAME	PART NUMBER	QTY REQUIRED
40-150				
50-150				
80-150				
100-150				
150-150				
40-200	2.2-4P	100L	8427743-000K	1
50-200	3.0-2P	112M		
80-200	& 4P			
100-200	4.0-2P			
125-200	& 4P			
150-200				
200-200				
50-250				
80-250				
100-250				
50-150				
80-150				
100-150				
40-200				
50-200				
80-200				
100-200	5.5-2P	132S	8427744-000K	1
125-200	& 4P	132M		
150-200	7.5-2P			
150-200	& 4P			
200-200				
50-250				
80-250				
100-250				
150-250				
200-250				

PUMP SIZE	POWER (kW) & POLES	MOTOR FRAME	PART NUMBER	QTY REQUIRED	PUMP SIZE	POWER (kW) & POLES	MOTOR FRAME	PART NUMBER	QTY REQUIRED				
80-330	5.5-4P 7.5-4P	132S 132M	8427863-000K	1	100-330	30.0-2P & 4P 37.0-2P	200L	8427747-000K	1				
100-330L													
125-330													
125-330H													
150-330													
150-330H													
80-150					11.0-2P					160M	8427744-100K	1	100-200
100-150	15.0-2P												
50-200	11.0-2P & 4P 15.0-2P & 4P 18.5-2P	160M 160L	8427745-000K	1	125-200	45.0-2P 30.0-4P	200L	8428470-000K	1				
80-200													
100-200													
125-200													
150-200													
50-250													
80-250													
100-250					37.0-4P 55.0-2P	225S/M 250S/M	8427872-000K	1					
100-250													
200-250													
100-290													
125-290													
150-290													
200-290													
80-330	11.0-4P 15.0-4P	160M 160L	8427745-000K	1	100-250	37.0-4P 45.0-4P 55.0-2P	225S/M 250S/M	8427872-000K	1				
100-330													
100-330L													
125-330													
125-330H													
150-330													
150-330H													
200-330													
80-200	18.5-4P 22.0-2P & 4P	180M 180L	8427746-000K	1	150-290	75.0-2P 90.0-2P	280S/M	8427874-000K	1				
100-330													
100-330L													
125-330													
125-330H													
150-330													
150-330H													
200-330													
250-330					55.0-4P	250S/M	8427875-000K	1					
100-200													
125-200													
50-250													
80-250													
100-250													
200-250													
80-330	75.0-2P 90.0-2P	280S/M	8427874-000K	1									
100-330													
100-330													
125-330													
125-330H													
150-330													
150-330H													
200-330													
250-330													

PUMP SIZE	POWER (kW) & POLES	MOTOR FRAME	PART NUMBER	QTY REQUIRED	PUMP SIZE	POWER (kW) & POLES	MOTOR FRAME	PART NUMBER	QTY REQUIRED			
200-330	75.0-4P	280S/M	8427877-000K	1	200-330	110.0-2P	315S	8427880-100K	1			
	90.0-4P									132.0-2P	315M	
250-330	250.0-2P						250-330			160.0-2P	315L	
	280.0-2P									200.0-2P		
330-330	315.0-2P				355M			65-190	11-2P	160M	8427745-000K	1
	330.0-2P				355L			65-190	15-2P	160M	8427745-000K	1
200-375	355.0-2P				80-190	11-2P	160M	8427745-000K	1			
250-375	370.0-2P				80-190	15-2P	160M	8427745-000K	1			
250-330	110.0-4P	315S	8427878-100K	1	80-190	18.5-2P	160L	8427745-000K	1			
	132.0-4P	315M					80-190	22-2P	180M	8427746-000K	1	
200-375	160.0-4P						125-190	15-2P	160M	8427745-000K	1	
250-375							125-190	18.5-2P	160L	8427745-000K	1	
350-380	250.0-4P	355M	8428479-003K	1	125-190	22-2P	180M	8427746-000K	1			
	280.0-4P							125-190	30-2P	200L	8427747-000K	1
400-380	315.0-4P				355L			125-190	37-2P	200L	8427747-000K	1
400-380L	330.0-4P							125-190	45-2P	225M	8428470-000K	1
	355.0-4P											
400-380H	400.0-4P											

**4300, 4302 & 4312 MECHANICAL SEAL KIT
(INDIA, CHINA, APR & MIDDLE EAST)**



KIT CONTENTS

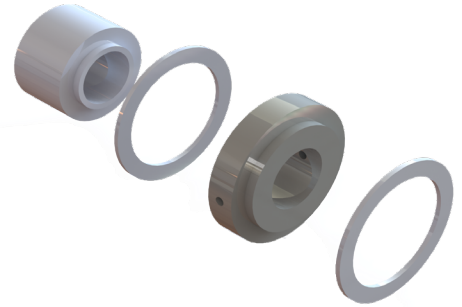
ITEM	DESCRIPTION
②①	Outside Mechanical Seal
②②	Seal Cover
②③	Seal Cover Capscrew
②④	Seal Cover Capscrew Washer

Manu Code	C-SSC AB ₂ *	AC-SSC AB ₂
Seal Type	AB ₂	
Rotary	Resin Impregnated Carbon	Antimony Loaded Carbon
Seat	Sintered Silicon Carbide	
O-Rings and Elastomer	Viton	
Legend (Refer App.guide)	A1-2	A1-3

**4300, 4302 & 4312 REPLACEMENT SEAL
(INDIA, CHINA, APR & MIDDLE EAST)**

REPLACEMENT SEAL PART NUMBERS

PUMP SIZE	POWER	PART NUMBER		QTY REQUIRED
		A1-2	A1-3	
40-150	All			
50-150				
80-150				
100-150				
150-150				
40-200				
50-200	Upto 7.5kW	8975002-304*	8975002-305	1
80-200				
100-200				
125-200				
150-200				
50-250				
80-250				
100-250				
150-250				
200-250				
100-290				
125-290				
150-290				
100-200				
125-200				
150-200				
50-250				
80-250				
100-250				
150-250				
200-250				
100-290				
125-290				
150-290				
200-290	All	8975002-334*	8975002-335	1
80-330				
100-330				
100-330L				
125-330				
125-330H				
150-330				
150-330H				
200-330	Upto 55.0kW	8975002-334*	8975002-335	1
250-330	Upto 30.0kW	8975002-334*	8975002-335	1
200-330	From 110.0kW	8975002-374*	8975002-375	1
250-330	From 37.0kW			
300-330	All			



* Default selection for India, China, APR and Middle East

Vertical In-line
Pump

PARTS LIST

12

PUMP SIZE	POWER	PART NUMBER		QTY REQUIRED
		A1-2	A1-3	
350-380	All	8975002-394*	8975002-395	1
400-380				
400-380L				
400-380H				
300-430				
80-150B†	Up to 18.5kW	8975002-304	8975002-305	1
100-150C†		8975002-304	8975002-305	1
125-150†		8975002-304	8975002-305	1
65-190†	11	8975002-334	8975002-335	1
	15	8975002-334	8975002-335	1
80-190†	11	8975002-334	8975002-335	1
	15	8975002-334	8975002-335	1
	18.5	8975002-334	8975002-335	1
	22	8975002-334	8975002-335	1
125-190†	15	8975002-334	8975002-335	1
	18.5	8975002-334	8975002-335	1
	22	8975002-334	8975002-335	1
	30	8975002-334	8975002-335	1
	37	8975002-334	8975002-335	1
	45	8975002-334	8975002-335	1

† 4300 Pump Size only

**4300, 4302 & 4312 REPLACEMENT SEAL KIT
(INDIA, CHINA, APR & MIDDLE EAST)**

KIT PART NUMBERS

PUMP SIZE	POWER	PART NUMBER		QTY REQUIRED
		A1-2	A1-3	
40-150	All	8975002-304K*	8975002-305K	1
50-150				
80-150				
100-150				
150-150				
40-200				
50-200	Upto 7.5kW	8975002-304K*	8975002-305K	1
80-200				
100-200				
125-200				
150-200				
50-250	Upto 7.5kW	8975002-304K*	8975002-305K	1
80-250				
100-250				
150-250				
200-250				
100-290				
125-290				
150-290				

* Default selection for India, China, APR and Middle East

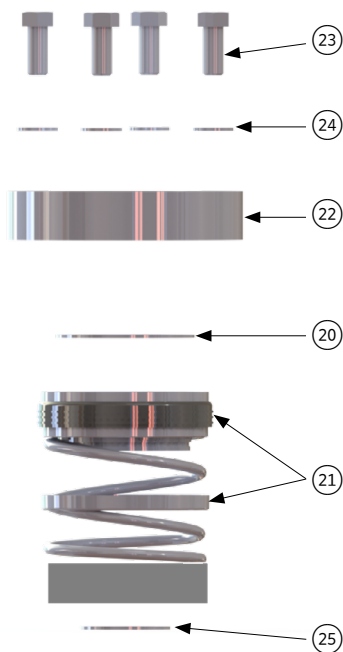
PUMP SIZE	POWER	PART NUMBER		QTY REQUIRED
		A1-2	A1-3	
100-200	From 11.0kW	8975002-334K*	8975002-335K	1
125-200				
150-200				
50-250				
80-250				
100-250				
150-250				
200-250				
100-290				
125-290				
150-290				
200-290	All	8975002-334K*	8975002-335K	1
80-330				
100-330				
100-330L				
125-330				
125-330H				
150-330				
150-330H				
200-330				
250-330				
200-330				
250-330	From 110.0kW	8975002-374K*	8975002-375K	1
300-330				
300-330				
350-380	All	8975002-394K*	8975002-395K	1
400-380				
400-380L				
400-380H				
300-430				

INDIA, CHINA, APR, MIDDLE EAST & UK EXPORT

APPLICATION GUIDE						
Fluid	<200F			>200F		
	<=2000PPM	>2000PPM	>4000PPM	<=2000PPM	>2000PPM	>4000PPM
Potable Water	A1-2	No potable water for this application				
Non-Potable Water	A1-2	A1-2	NCP	A1-3	A1-2	NCP
Glycol > 30%	A1-2	A1-2	NCP	A1-2	A1-2	NCP
All Other	A1-2	A1-2	NCP	A1-3	A1-2	NCP

* Default selection for India, China, APR and Middle East

**4300, 4302 & 4312 MECHANICAL SEAL KIT
(UK & EUROPE)**



KIT CONTENTS

ITEM	DESCRIPTION
②1	Mechanical Seal
②5	Retaining Ring
②2	Seal Cover
②3	Seal Cover Capscrew
②4	Seal Cover Capscrew Washer
②0	Seal Gasket

Manu Code	C-TC 1A	AC-TC 1A**
Seal Type	John Crane 1	John Crane Type 1
Rotary	Resin bonded carbon	Antimony loaded carbon
Seat	Tungsten carbide	
O-Rings and Elastomer	EPDM	
Legend (Refer App.guide)	C4	C5

**4300, 4302 & 4312 REPLACEMENT SEAL
(UK & EUROPE)**

REPLACEMENT SEAL PART NUMBERS

PUMP SIZE	POWER	PART NUMBER		QTY REQUIRED
		C4	C5	
40-150	All			
50-150				
80-150				
100-150				
150-150				
40-200	Upto 7.5kW			
50-200				
80-200				
100-200				
125-200		89975000-961	89975000-960**	1
150-200				
50-250				
80-250				
100-250				
150-250				
200-250				
100-290				
125-290				
150-290				



** Default selection for UK & Europe

PUMP SIZE	POWER	PART NUMBER		QTY REQUIRED
		C4	C5	
100-200	From 11.0kW	89975000-964	89975000-963**	1
125-200				
150-200				
50-250				
80-250				
100-250				
150-250				
200-250				
100-290				
125-290				
150-290				
200-290	All	89975000-968	89975000-967**	1
80-330				
100-330				
100-330L				
125-330				
125-330H				
150-330				
150-330H				
200-330				
250-330				
200-330				
250-330	From 110.0kW	89975000-968	89975000-967**	1
300-330				
All				
80-150B†	Up to 18.5kW	-	89975000-960	1
100-150C†				
125-150†				
65-190†	11	-	89975000-963	1
	15	-	89975000-963	1
80-190†	11	-	89975000-963	1
	15	-	89975000-963	1
	18.5	-	89975000-963	1
	22	-	89975000-963	1
125-190†	15	-	89975000-963	1
	18.5	-	89975000-963	1
	22	-	89975000-963	1
	30	-	89975000-963	1
	37	-	89975000-963	1
	45	-	89975000-963	1

† 4300 Pump Size only

**4300, 4302 & 4312 REPLACEMENT SEAL KIT
(UK & EUROPE)**

KIT PART NUMBERS

PUMP SIZE	POWER	PART NUMBER		QTY REQUIRED
		C4	C5	
40-150	All	89975000-961K	89975000-960K**	1
50-150				
80-150				
100-150				
150-150				
40-200				

** Default selection for UK & Europe

PUMP SIZE	POWER	PART NUMBER		QTY REQUIRED				
		C4	C5					
50-200	Upto 7.5kW	89975000-961K	89975000-960K**	1				
80-200								
100-200								
125-200								
150-200								
50-250								
80-250								
100-250								
150-250								
200-250								
100-290								
125-290								
150-290								
100-200					From 11.0kW	89975000-964K	89975000-963K**	1
125-200								
150-200								
50-250								
80-250								
100-250								
150-250								
200-250								
100-290								
125-290								
150-290								
200-290	All	89975000-968K	89975000-967K**	1				
80-330								
100-330								
100-330L								
125-330								
125-330H								
150-330								
150-330H								
200-330								
250-330								
200-330								
250-330								
300-330								

UK AND EUROPE FOR ALL PUMP SIZES

(EXCEPT LARGE SUCTION PUMPS - 300-430,350-350,350-380,400-380,400-380L,400-380H)

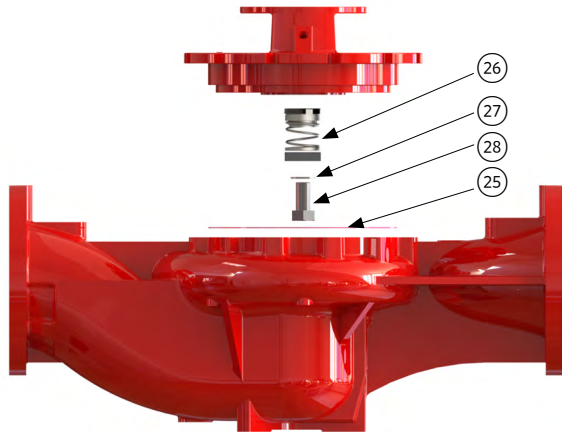
APPLICATION GUIDE

Fluid	<=200F		>200F AND <=250F		>250F AND <=275F		>275F
	<=2000 PPM	>4000 PPM	<=2000 PPM	>4000 PPM	<=2000 PPM	>4000 PPM	ANY PPM
Potable Water	C4	No Potable water under this condition					
Non-potable Water	C5	NCP	C5	NCP	C5/NCP*	NCP	NCP
Glycol >30%	C5 to 50%	NCP	C5	NCP	C5 to 50%	NCP	NCP
All other	C5	NCP	C5	NCP	C5/NCP*	NCP	NCP

* for 16x16x19 IEC355

** Default selection for UK & Europe

**4380, 4382 & 4392 MECHANICAL SEAL KIT
(INDIA, CHINA, APR, MIDDLE EAST, UK & EUROPE)**



KIT CONTENTS

ITEM	DESCRIPTION
②5	Casing Gasket
②8	Impeller Capscrew
②7	Impeller Washer
②6	Mechanical Seal Kit

4380 REPLACEMENT SEAL

REPLACEMENT SEAL PART NUMBERS

PUMP SIZE	POWER	PART NUMBER			QTY REQUIRED
		L2-A	L1-A	H3-A	
80-150B	Up to 18.5kW	8975000-982	89975001-817	89975001-813	1
100-150C					
125-150					



**4380, 4382 & 4392 REPLACEMENT SEAL KIT
(INDIA, CHINA, APR, MIDDLE EAST, UK & EUROPE)**



KIT CONTENTS

ITEM	DESCRIPTION
②5	Casing Gasket
②6	Impeller Capscrew
②7	Impeller Washer
②8	Mechanical Seal Kit

Manu Code	SSCssc L EPSS2A	C-ssc L EPSS2A*	ACssc OEPS 2A**
Seal Type	Armstrong 2A		
Rotating face	Sintered Silicon Carbide	Resin Bonded Carbon	Antimony Loaded Carbon
Seat	Sintered Silicon Carbide		
O-Rings and Elastomer	EPDM (L-Cup)	EPDM (L-Cup)	EPDM (O-Ring)
Legend (Refer App.guide)	L2-A	L1-A	H3-A

* Default selection for India, China, APR and Middle East

** Default selection for UK & Europe

Vertical In-line
Pump

PARTS LIST

18

PUMP SIZE	POWER	PART NUMBER			QTY REQUIRED
		L2-A	L1-A	H3-A	
40-150	All	89975001-81707K	8975000-98207K*	89975001-81307K**	1
50-150	All	89975001-81707K	8975000-98207K*	89975001-81307K**	1
80-150	All	89975001-81707K	8975000-98207K*	89975001-81307K**	1
100-150	All	89975001-81707K	8975000-98207K*	89975001-81307K**	1
150-150	All	89975001-81707K	8975000-98207K*	89975001-81307K**	1
40-200	Upto 5.5kW	89975001-81708K	8975000-98208K *	89975001-81308K **	1
50-200	Upto 7.5kW	89975001-81708K	8975000-98208K *	89975001-81308K **	1
80-200	Upto 7.5kW	89975001-81708K	8975000-98208K *	89975001-81308K **	1
100-200	Upto 7.5kW	89975001-81708K	8975000-98208K *	89975001-81308K **	1
125-200	Upto 4.0kW	89975001-81708K	8975000-98208K *	89975001-81308K **	1
150-200	Upto 7.5kW	89975001-81708K	8975000-98208K *	89975001-81308K **	1
200-200	Upto 5.5kW	89975001-81708K	8975000-98208K *	89975001-81308K **	1
40-200	From 7.5kW	89975001-83708K	8975000-98408K*	89975001-83308K**	1
50-200	From 7.5kW	89975001-83708K	8975000-98408K*	89975001-83308K**	1
80-200	From 7.5kW	89975001-83708K	8975000-98408K*	89975001-83308K**	1
100-200	From 7.5kW	89975001-83708K	8975000-98408K*	89975001-83308K**	1
125-200	From 7.5kW	89975001-83708K	8975000-98408K*	89975001-83308K**	1
150-200	From 7.5kW	89975001-83708K	8975000-98408K*	89975001-83308K**	1
200-200	From 7.5kW	89975001-83708K	8975000-98408K*	89975001-83308K**	1
50-250	Upto 7.5kW	89975001-81709K	8975000-98209K*	89975001-81309K**	1
80-250	Upto 7.5kW	89975001-81709K	8975000-98209K*	89975001-81309K**	1
100-250	Upto 7.5kW	89975001-81709K	8975000-98209K*	89975001-81309K**	1
150-250	Upto 7.5kW	89975001-81709K	8975000-98209K*	89975001-81309K**	1
200-250	Upto 7.5kW	89975001-81709K	8975000-98209K*	89975001-81309K**	1
50-250	From 11.0kW	89975001-83709K	8975000-98409K*	89975001-83309K**	1
80-250	From 11.0kW	89975001-83709K	8975000-98409K*	89975001-83309K**	1
100-250	From 11.0kW	89975001-83709K	8975000-98409K*	89975001-83309K**	1
150-250	From 11.0kW	89975001-83709K	8975000-98409K*	89975001-83309K**	1
200-250	From 11.0kW	89975001-83709K	8975000-98409K*	89975001-83309K**	1
100-290	Upto 7.5kW	89975001-81710K	8975000-98210K*	89975001-81310K**	1
125-290	Upto 7.5kW	89975001-81710K	8975000-98210K*	89975001-81310K**	1
150-290	Upto 7.5kW	89975001-81710K	8975000-98210K*	89975001-81310K**	1
200-290	Upto 7.5kW	89975001-81710K	8975000-98210K*	89975001-81310K**	1
100-290	From 11.0kW	89975001-83710K	8975000-98410K*	89975001-83310K**	1
125-290	From 11.0kW	89975001-83710K	8975000-98410K*	89975001-83310K**	1
150-290	From 11.0kW	89975001-83710K	8975000-98410K*	89975001-83310K**	1
200-290	From 11.0kW	89975001-83710K	8975000-98410K*	89975001-83310K**	1
80-330	Upto 7.5kW	89975001-81711K	8975000-98211K*	89975001-81311K**	1
100-330	Upto 7.5kW	89975001-81711K	8975000-98211K*	89975001-81311K**	1
125-330	Upto 4.0kW	89975001-81711K	8975000-98211K*	89975001-81311K**	1
150-330	Upto 7.5kW	89975001-81711K	8975000-98211K*	89975001-81311K**	1
200-330	Upto 7.5kW	89975001-81711K	8975000-98211K*	89975001-81311K**	1
80-330	From 11.0kW	89975001-83711K	8975000-98411K*	89975001-83311K**	1
100-330	From 5.5kW	89975001-83711K	8975000-98411K*	89975001-83311K**	1
125-330	From 5.5kW	89975001-83711K	8975000-98411K*	89975001-83311K**	1
150-330	From 11.0kW	89975001-83711K	8975000-98411K*	89975001-83311K**	1
150-330H	All	89975001-83711K	8975000-98411K*	89975001-83311K**	1
200-330	From 11.0kW	89975001-83711K	8975000-98411K*	89975001-83311K**	1

* Default selection for India, China, APR and Middle East

** Default selection for UK & Europe

INDIA, CHINA, APR & MIDDLE EAST

APPLICATION GUIDE

Fluid	<=200F			>200F		
	<=2000PPM	>2000PPM	>4000PPM	<=2000PPM	>2000PPM	>4000PPM
Potable Water	L1-A	No potable water for this application				
Non-Potable Water	L1-A	L2-A	NCP	H3-A	L2-A	NCP
Glycol > 30%	L2-A	NCP	NCP	L2-A	L2-A	NCP
All Other	L1-A	L2-A	NCP	H3-A	L2-A	NCP

UK & EUROPE

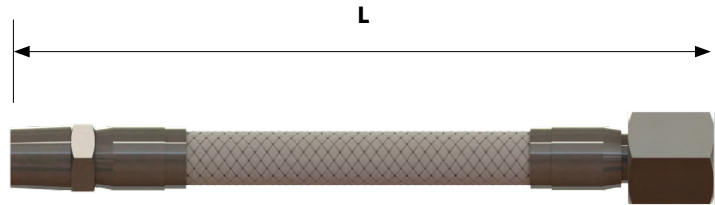
APPLICATION GUIDE

Fluid	<200F			>200F		
	<=2000PPM	>2000PPM	>4000PPM	<=2000PPM	>2000PPM	>4000PPM
Potable Water	L1-A	No potable water for this application				
Non-Potable Water	H3-A	L2-A	NCP	H3-A	L2-A	NCP
Glycol > 30%	L2-A	L2-A	NCP	L2-A	L2-A	NCP
All Other	H3-A	L2-A	NCP	H3-A	L2-A	NCP

STANDARD FLUSH LINE REPLACEMENT PARTS AND KITS

BRAID HOSE

HOSE LENGTH (L)	ITEM NUMBER
10"	8939031-710
15"	8939031-715
20"	8939031-720
25"	8939031-725
30"	8939031-730
35"	8939031-735



FLUSH LINE FASTENERS PARTS

ITEM NUMBER	DESCRIPTION
8938203-701	NIPPLE SS304 1/4NPT x 2.500"
8938208-001	NIPPLE SST 1/4NPT x 5.000"LG
8939031-075	ADAPTER-S SS 0.5"JICM-0.25"NPTM
8935102-701	CROSS-90° SST 1/4NPT
8934210-701	ELBOW-ST 90° SS316 1/4NPT
8934201-701	TEE-90° SS304 1/4NPT
8939018-302	VENT-AIR SS316 1/4NPT
89076100-001	BALL VALVE M/F

SPARE FILTER-CARTRIDGE

PUMP SIZE	PART NUMBER
65-190	8975000-303
80-190	8975000-303
125-190	8975000-303



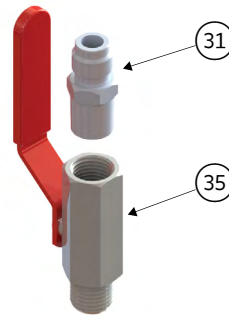
FLUSH LINE FASTENERS KIT

DESCRIPTION	ITEM NUMBER	KIT COMPONENT
Small Single 4300 Pump	89981000-078K	Nipple
		Tee-90°
		Air - Vent
		Adapter
Large Double 4300 Pump	89981000-079K	Nipple
		Tee-90°
		Air - Vent
		Elbow
4382 - dualArm Pump	89981000-078K (Discharge)	Nipple
		Tee-90°
		Air - Vent
	89076100-001K (Suction)	Adapter
4392 - Twin Pump	89981000-082K	Ball Valve
		Adapter
		Nipple
		Tee-90°
		Air - Vent
		Elbow
		Adapter

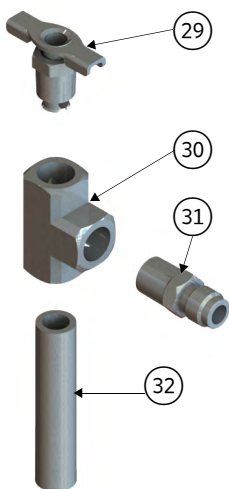
KIT CONTENTS

ITEM	DESCRIPTION
②9	AIR-VENT ¼NPT
③0	TEE-90° ¼NPT
③1	ADAPTER 0.5" JICM - 0.25" NPTM
③2	NIPPLE ¼NPT
③3	ELBOW 90° ¼NPT
③4	CROSS-90° SST ¼NPT
③5	BALL VALVE M/F

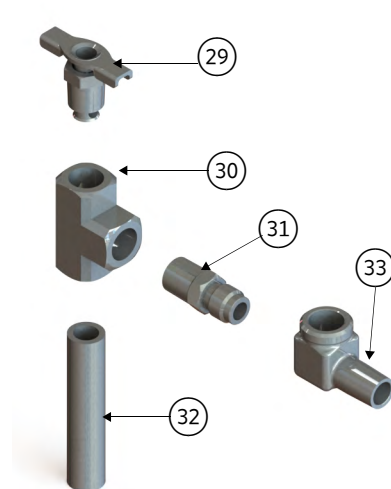
89981000-000K



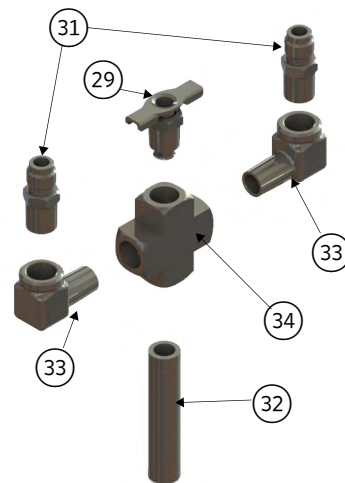
89981000-078K



89981000-079K



89981000-082K



TORONTO

23 BERTRAND AVENUE,
TORONTO, ONTARIO,
CANADA, M1L 2P3
+1 416 755 2291

BUFFALO

93 EAST AVENUE, NORTH
TONAWANDA, NEW YORK,
USA, 14120-6594
+1 716 693 8813

DROITWICH SPA

POINTON WAY, STONEBRIDGE CROSS
BUSINESS PARK, DROITWICH SPA,
WORCESTERSHIRE,
UNITED KINGDOM, WR9 0LW
+44 121 550 5333

MANCHESTER

WOLVERTON STREET, MANCHESTER
UNITED KINGDOM, M11 2ET
+44 161 223 2223

BANGALORE

#18, LEWIS WORKSPACE, 3RD FLOOR,
OFF MILLERS - NANDIDURGA ROAD,
JAYAMAHAL CBD, BENSON TOWN,
BANGALORE, INDIA 560 046
+91 80 4906 3555

SHANGHAI

UNIT 903, 888 NORTH SICHUAN RD.
HONGKOU DISTRICT, SHANGHAI
CHINA, 200085
+86 21 5237 0909

BEIJING

ROOM 1612, NANYIN BUILDING NO.2
NORTH EAST THRID RING ROAD
CHAOYANG DISTRICT, BEIJING,
CHINA 100027
+86 21 5237 0909

SÃO PAULO

RUA JOSÉ SEMIÃO RODRIGUES
AGOSTINHO, 1370 GALPÃO 6 EMBU
DAS ARTES, SAO PAULO, BRAZIL
+55 11 4785 1330

LYON

93 RUE DE LA VILLETTE
LYON, 69003 FRANCE
+33 4 26 83 78 74

DUBAI

JAFZA VIEW 19, OFFICE 402
P.O. BOX 18226 JAFZA,
DUBAI - UNITED ARAB EMIRATES
+971 4 887 6775

JIMBOLIA

STR CALEA MOTILOR NR. 2C
JIMBOLIA 305400, JUD.TIMIS
ROMANIA
+40 256 360 030

FRANKFURT

WESTERBACHSTRASSE 32,
D-61476 KRONBERG IM TAUNUS
GERMANY
+49 6173 999 77 55

FOR SERVICE RELATED PARTS & KITS

Use ADEPT Select to quickly and easily select.

Visit adept.armstrongfluidtechnology.com to learn more



FOR MORE INFORMATION,

Contact your Armstrong Representative or visit us at
ArmstrongFluidTechnology.com/ContactUs

