

# Horizontal End suction Pump

Design Envelope,  
IVS & Conventional

---

## Parts list

File No: 6012.110IEC

Date: AUGUST 25, 2021

Supersedes: 6012.110IEC

Date: AUGUST 05, 2021

—

—

—

—

# CONTENTS

INTRODUCTION	4
4030 PARTS LIST	5
4200H PARTS LIST	6
4280 PARTS LIST	7
CASING GASKET	8
4030 COUPLING KIT - CONSTANT SPEED PUMP (INDIA, CHINA & APR)	9
4030 COUPLING KIT - VARIABLE SPEED PUMP (UK, CHINA & APR)	12
4200H COUPLING KIT	15
4200H MECHANICAL SEAL KIT (INDIA, CHINA, APR & MIDDLE EAST)	16
4200H REPLACEMENT SEAL (INDIA, CHINA, APR & MIDDLE EAST)	16
4200H REPLACEMENT SEAL KIT (INDIA, CHINA, APR & MIDDLE EAST)	17
4200H MECHANICAL SEAL KIT (UK & EUROPE)	18
4200H REPLACEMENT SEAL (UK & EUROPE)	18
4200H REPLACEMENT SEAL KIT (UK & EUROPE)	19
4030 & 4280 MECHANICAL SEAL KIT (INDIA, CHINA, APR, MIDDLE EAST, UK & EUROPE)	20
4030 & 4280 REPLACEMENT SEAL KIT (INDIA, CHINA, APR, MIDDLE EAST, UK & EUROPE)	20
4030 BEARING HOUSING/FRAME PARTS KIT	24

## INTRODUCTION

**A**rmstrong was founded on the core values of Community, Service, Learning and Innovation. Reflecting our commitment to service, Armstrong now provides 360 Service and Support. Working collaboratively with the 'partner' companies in our network, we're ready to provide the service and support that customers need in relation to building performance.

A key part of serving our customers is providing Genuine Armstrong Replacement Parts to support installations of our products. But the value we provide goes beyond the quality of the replacement part.

With the availability of parts in packaged kits, you'll never have to leave a repair incomplete just because you didn't have all the pieces required for the job. And you won't have to pay a premium for rush delivery of additional parts.

Your customers will be happier, because their mechanical systems will be returned to service earlier. That means you'll be more likely to get their repeat business.

The Armstrong replacement parts program serves contractors and end customers through a combination of: Availability, Easy Selection, Easy Transactions, Quick Delivery and Technical Support.

### AVAILABILITY

- Dedicated service parts inventory
- Real-time inventory information
- Active channel inventory management

### EASY SELECTION

- Parts selection charts with updated descriptions, pictures and sizing details
- Illustrated part selection information
- Product details on packaging
- All items within each Parts Kit are carefully selected for accurate sizing

### EASE OF TRANSACTION

- Parts and Kits available in [ADEPT](#) Locator tool for local parts dealers
- Complete parts kits reduce the work to source items.
- One search and one order address a service issue

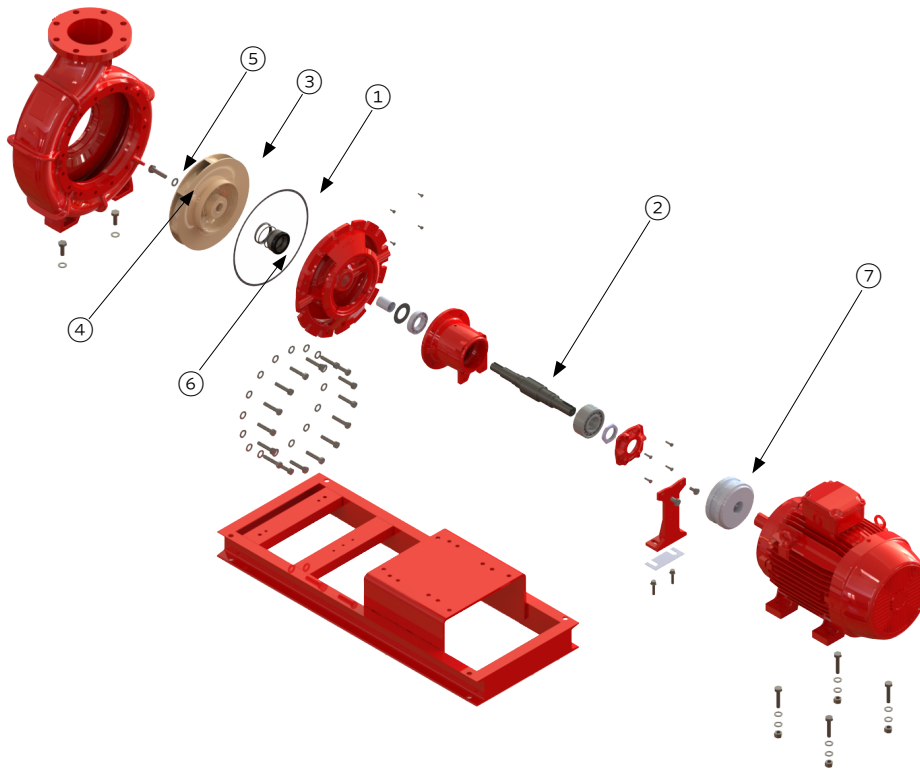
### QUICK DELIVERY OF PARTS SOLUTIONS

- On-time shipment
- Options for shipping service levels
- Parts Kits include all parts and related items required to complete replacement work

### SUPPORT

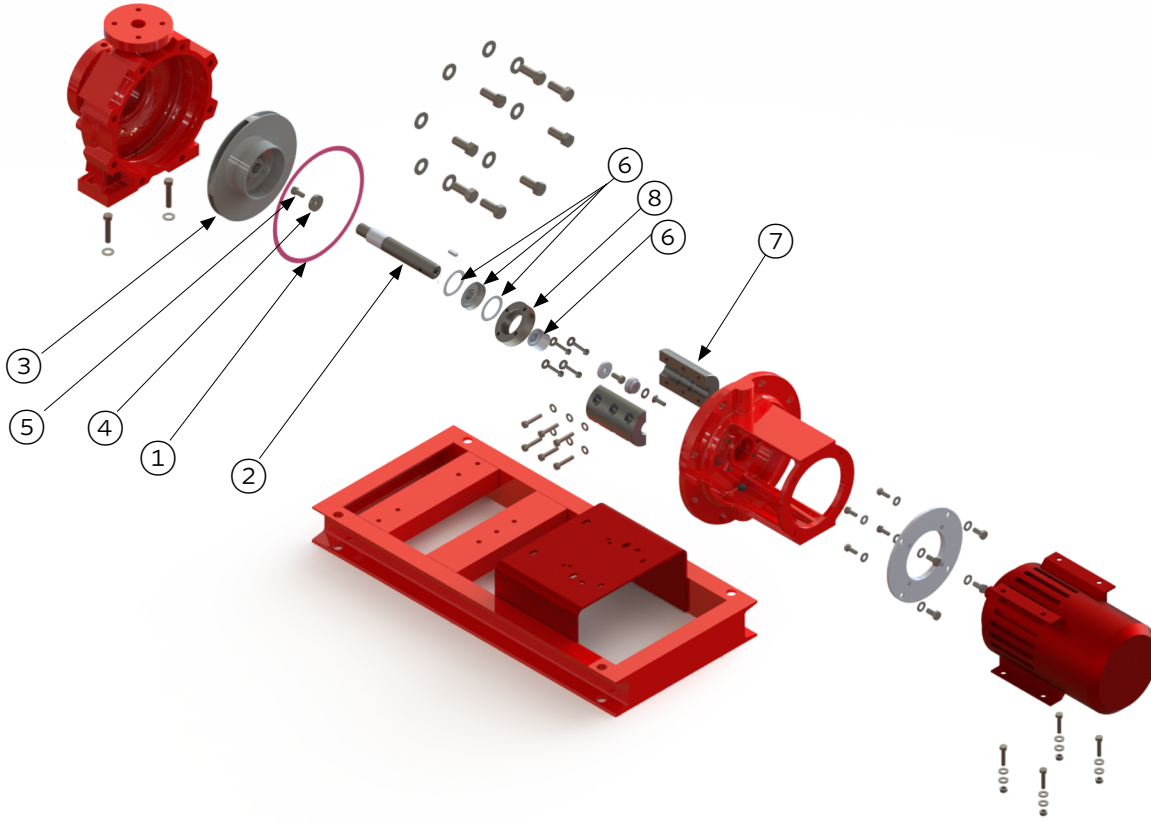
- Trained Armstrong support professionals
- Dedicated 24x7 service and support parts

4030 PARTS LIST



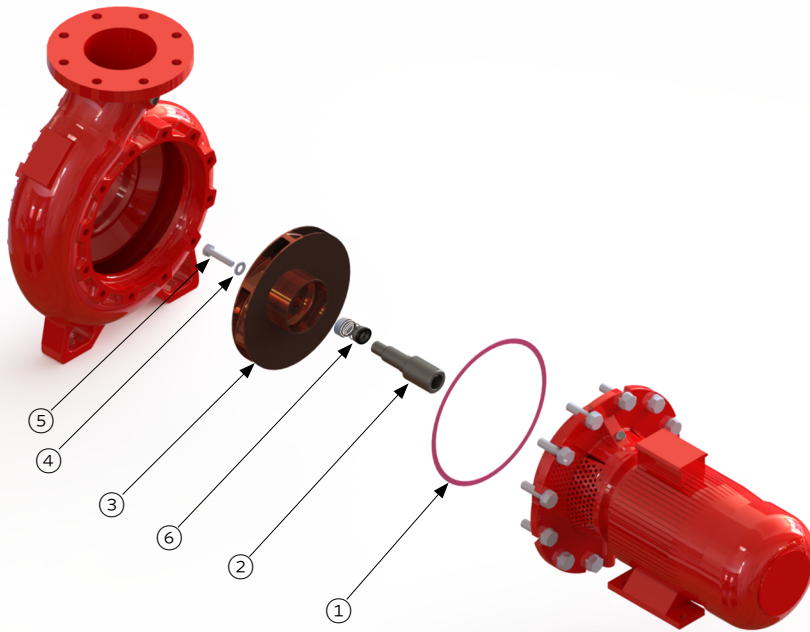
ITEM	DESCRIPTION
①	Casing Gasket
⑦	Coupling
③	Impeller
⑤	Impeller Cap Screw
④	Impeller Washer
⑥	Mechanical Seal
②	Shaft

## 4200H PARTS LIST

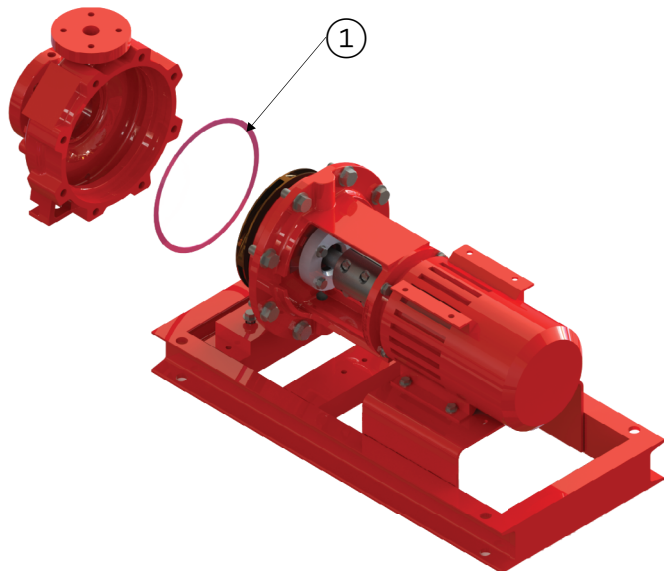


ITEM	DESCRIPTION
①	Casing Gasket
⑦	Coupling
③	Impeller
⑤	Impeller Cap Screw
④	Impeller Washer
⑥	Mechanical Seal
⑧	Seal Cover
②	Shaft

### 4280 PARTS LIST



ITEM	DESCRIPTION
①	Casing Gasket
③	Impeller
⑤	Impeller Cap Screw
④	Impeller Washer
⑥	Mechanical Seal
②	Shaft

**CASING GASKET**

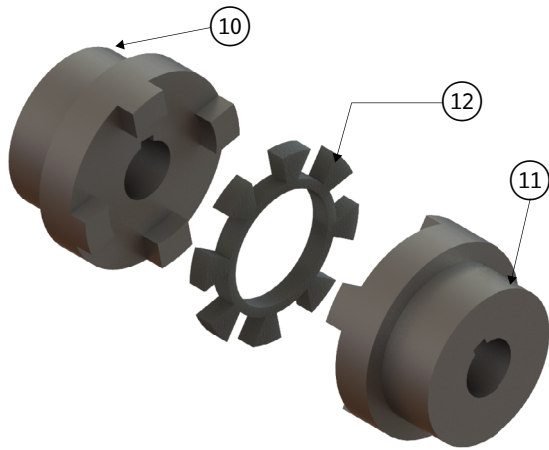
ITEM	DESCRIPTION
①	Casing Gasket

PUMP SIZE	PART NUMBER	QTY REQUIRED
25-150	8426401-002	1
40-150	8426401-002	1
50-150	8426401-002	1
65-150	8426401-002	1
80-150	8426401-002	1
25-200	8426401-003	1
40-200	8426401-003	1
50-200	8426401-003	1
65-200	8426401-003	1
80-200	8426401-003	1
100-200	8426401-003	1
100s-200	8426401-003	1
200-200	8426401-003	1
25-250	8426401-004	1
40-250	8426401-004	1
50-250	8426401-004	1
65-250	8426401-004	1
80-250	8426401-004	1
100s-250	8426401-004	1

PUMP SIZE	PART NUMBER	QTY REQUIRED
125-250	8426401-004	1
150-250	8426401-004	1
80-290	8426401-006	1
100-290	8426401-006	1
125-290	8426401-006	1
150-290	8426401-006	1
40-330	8426401-005	1
50-330	8426401-005	1
80-330	8426401-005	1
100-330	8426401-005	1
100-330H	8426401-005	1
125-330	8426401-005	1
125-330H	8426401-005	1
150-330	8426401-005	1
200-330	8426401-005	1
150-375	8426401-008	1
200-375	8426401-008	1



**4030 COUPLING KIT - CONSTANT SPEED PUMP  
(INDIA, CHINA, APR & MIDDLE EAST)**



ITEM	DESCRIPTION
⑩	Hub Pump End
⑪	Hub Motor End
⑫	Spider

PUMP SIZE	POWER (kW) & POLES	MOTOR FRAME	PART NUMBER	QTY REQUIRED
25-150	0.55-4P 0.75-4P 1.1-2P	80	89272137-001K	1
40-150				
50-150				
65-150				
80-150				
25-200				
40-200				
50-200				
65-200				
80-200				
25-250				
40-250				
25-150	1.1-4P 2.2-2P	90S 90L	89272137-002K	1
40-150				
50-150				
65-150				
80-150				
25-200				
40-200				
50-200				
65-200				
80-200				
100S-200				
100-200				
25-250				
40-250				
50-250				
65-250				

PUMP SIZE	POWER (kW) & POLES	MOTOR FRAME	PART NUMBER	QTY REQUIRED				
40-200	1.5-4P	90L	89272137-003K	1				
50-200								
65-200								
80-200								
100S-200								
100-200								
25-250								
40-250								
50-250								
65-250								
25-150					2.2-4P 3.0-2P & 4P 4.0-2P & 4P	100L 112M	89272137-004K	1
40-150								
50-150								
65-150								
80-150								
25-200								
40-200								
50-200								
65-200								
80-200								
100S-200								
100-200								
200-200								

Horizontal  
End Suction Pump

PARTS LIST

10

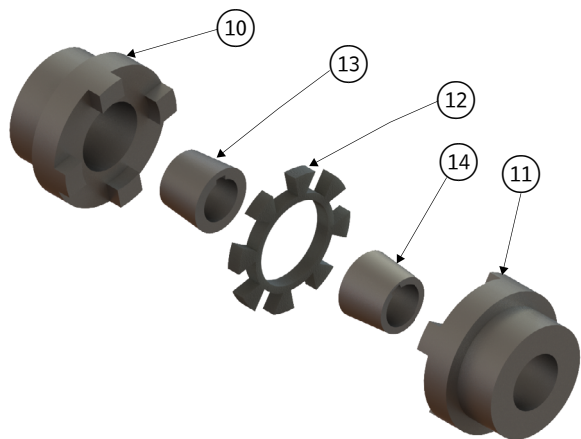
PUMP SIZE	POWER (kW) & POLES	MOTOR FRAME	PART NUMBER	QTY REQUIRED
40-150	5.5-2P & 4P	132S	89272137-005K	1
50-150				
65-150				
80-150				
25-200				
40-200				
50-200				
65-200				
80-200				
100S-200				
100-200				
200-200				
200-200	5.5-4P 7.5-4P	132S 132M	89272137-006K	1
150-250				
40-330				
50-330				
80-330				
100-330				
125-330				
125-330H				
65-150	11.0-2P & 4P	160M 160L	89272137-007K	1
80-150				
25-200				
40-200				
50-200				
65-200				
80-200				
100S-200				
100-200				
25-250				
40-250				
50-250				
80-290				
100-290				

PUMP SIZE	POWER (kW) & POLES	MOTOR FRAME	PART NUMBER	QTY REQUIRED
80-200	11.0-2P & 4P	160M 160L	89272137-008K	1
100S-200				
100-200				
25-250				
40-250				
50-250				
65-250				
80-250				
100S-200				
125-250				
150-250				
150-290				
40-330	18.5-2P			
50-330				
80-330				
100-330				
100-330H				
125-330				
125-330H				
150-330				
200-330	15.0-4P	160L	89272137-009K	1
50-200	22.0-2P	180M	89272137-010K	1
65-200				
80-200	18.5-4P	180M 180L	89272137-011K	1
100S-200				
100-200				
40-250				
50-250				
65-250				
80-250				
100S-250				
150-250				
150-290				
40-330				
50-330				
80-330				
100-330				
100-330H				
125-330				
125-330H				
150-330				

PUMP SIZE	POWER (kW) & POLES	MOTOR FRAME	PART NUMBER	QTY REQUIRED				
100-200	30.0-2P & 4P 37.0-2P 45.0-2P	200L 225S/M	89272137-012K	1				
100S-200								
50-250								
65-250								
80-250								
150-290								
40-330								
50-330								
100-330H								
125-330								
125-330H								
150-330								
100S-250					30.0-2P 37.0-2P 45.0-2P	200L 225S/M	89272137-013K	1
200-330					22.0-4P	180L	89272137-014K	1
150-375	30.0-4P	200L	89272137-015K	1				
200-330								
150-375								
200-375	37.0-4P 55.0-2P	225S/M 250S/M	89272137-016K	1				
80-250								
150-290								
40-330								
50-330								
125-330H								

PUMP SIZE	POWER (kW) & POLES	MOTOR FRAME	PART NUMBER	QTY REQUIRED
100S-250	37.0-4P	225S/M	89272137-017K	1
150-330	55.0-2P	250S/M		
200-330	37.0-4P	225S/M	89272137-018K	1
150-375				
200-375				
40-330	75.0-2P	280S/M	89272137-019K	1
150-330	45.0-4P	225S/M	89272137-020K	1
100S-250	55.0-4P	250S/M 280S/M	89272137-021K	1
150-330	75.0-2P 90.0-2P			
200-330	45.0-4P	225S/M	89272137-022K	1
150-375				
200-375				
200-330	55.0-4P	250S/M	89272137-023K	1
150-375				
200-375				
200-330	75.0-4P	280S/M	89272137-024K	1
150-375				
200-375				
200-330	90.0-4P	280S/M 315S/M 315M	89272137-025K	1
150-375	110.0-4P			
200-375	132.0-4P			

**4030 COUPLING KIT - VARIABLE SPEED PUMP  
(UK, CHINA & APR)**



ITEM	DESCRIPTION
⑩	Hub Pump End
⑪	Hub Motor End
⑫	Spider
⑬	Tapper Bush Pump End
⑭	Tapper Bush Motor End

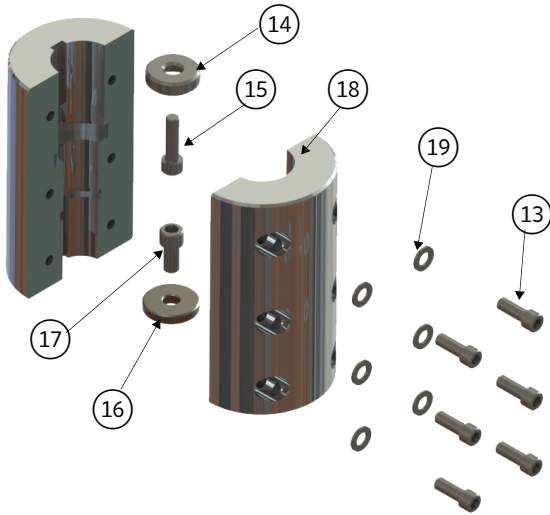
PUMP SIZE	POWER (kW) & POLES	MOTOR FRAME	PART NUMBER	QTY REQUIRED
25-150	0.55-4P 0.75-4P 1.1-2P	80L	805530-001K	1
40-150				
50-150				
65-150				
80-150				
25-200				
40-200				
50-200				
65-200				
80-200				
40-150	1.1 - 4P 1.5 - 2P & 4P 2.2 - 2P	90S 90L	805530-002K	1
50-150				
65-150				
80-150				
25-200				
40-200				
50-200				
65-200				
80-200				
100-200				
200-200				
25-250				
40-250				
50-250				

PUMP SIZE	POWER (kW) & POLES	MOTOR FRAME	PART NUMBER	QTY REQUIRED
25-150	2.2 - 4P 3.0 - 2P & 4P 4.0 - 2P & 4P	100L 112M	805530-003K	1
40-150				
50-150				
65-150				
80-150				
25-200				
40-200				
50-200				
65-200				
80-200				
100S-200				
100-200				
200-200				
25-250				
40-250				
50-250				
65-250				
80-250				
100-250				
80-290				
100-290				
40-330				

PUMP SIZE	POWER (kW) & POLES	MOTOR FRAME	PART NUMBER	QTY REQUIRED	PUMP SIZE	POWER (kW) & POLES	MOTOR FRAME	PART NUMBER	QTY REQUIRED
25-150	5.5-2P & 4P	132S 132M	805530-004K	1	80-200	11.0-4P	160M 160L	805530-007K	1
40-150									
50-150									
65-150									
80-150									
25-200									
40-200									
50-200									
65-200									
80-200									
100S-200									
100-200									
200-200									
25-250									
65-250									
80-250	7.5-2P & 4P	132M	805530-005K	1	80-200	18.5-2P	180M 180L	805530-008K	1
100S-250									
100-250									
125-250									
80-290									
100-290									
40-330									
50-330									
150-250									
125-330									
125-330H									
50-150									
80-150									
25-200									
40-200									
50-200	11.0-2P & 4P	160M 160L	805530-006K	1	80-200	18.5-4P	180M 180L	805530-009K	1
65-200									
80-200									
100-200									
25-250									
40-250									
50-250									
80-250									
80-290									
100-290									
125-290									
200-330									
50-200									
65-200									
50-200									



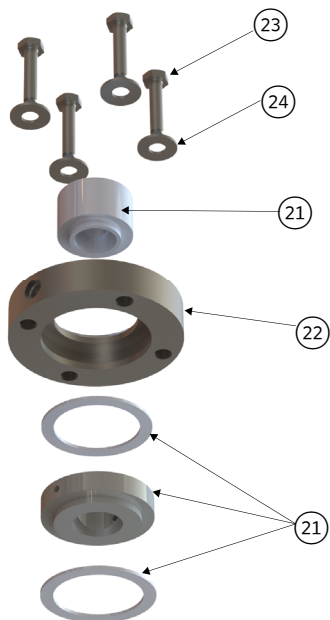
**4200H COUPLING KIT**



ITEM	DESCRIPTION
⑬	Capscrew
⑭	Motor Collar
⑮	Motor Shaft Capscrew
⑯	Pump Collar
⑰	Pump Shaft and Capscrew
⑱	Split Coupling
⑲	Washer

PUMP SIZE	POWER (kW) & POLES	MOTOR FRAME	PART NUMBER	QTY REQUIRED
25-150	0.55-4P 0.75-4P 1.10-2P	80	8427741-000K	1
40-150				
65-150				
25-200				
40-200				
25-150	1.1-4P 1.5-2P & 4P 2.2-2P	90S 90L	8427742-000K	1
40-150				
65-150				
25-200				
40-200				
80-200	2.2-4P 3.0-2P & 4P 4.0-2P	100L 112M	8427743-000K	1
25-150				
40-150				
65-150				
40-200				
80-200	5.5-2P & 4P 7.5-2P & 4P	132S 132M	8427744-000K	1
100-200				
40-150				
80-200				
100-200	5.5-2P 7.5-2P	132S	8428702-000K	1
65-150				
65-150	11.0-2P	160M	8427744-100K	1

PUMP SIZE	POWER (kW) & POLES	MOTOR FRAME	PART NUMBER	QTY REQUIRED
80-200	11.0-2P & 4P 15.0-2P	160M 160L	8427745-000K	1
100S-250				
150-250				
125-290				
80-200	18.5-4P 22.0-2P & 4P	180M 180L	8427746-000K	1
150-250				
125-290				
150-330				
200-330	30.0-2P & 4P 37.0-2P	200L	8427747-000K	1
100-200				
100S-250				
150-250				
150-330	30.0-4P 45.0-2P	200L 225M	8428470-000K	1
200-330				
100S-250	37.0-4P 55.0-2P	225S 250M	8427872-000K	1
150-250				
150-330				
200-330	37.0-4P 45.0-4P	225S 225M	8427873-000K	1
150-375				
150-330	55.0-4P	250M	8427874-000K	1
200-330	55.0-4P	250M	8427875-000K	1
150-375				

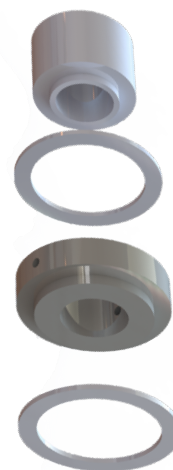
**4200H MECHANICAL SEAL KIT  
(INDIA, CHINA, APR & MIDDLE EAST)****KIT CONTENTS**

ITEM	DESCRIPTION
②0	Bushing (not shown)
②1	Outside Mechanical Seal
②2	Seal Cover
②3	Seal Cover Capscrew
②4	Seal Cover Capscrew Washer

<b>Manu Code</b>	C-SSC AB <sub>2</sub> *	AC-SSC AB <sub>2</sub>
<b>Seal Type</b>	AB <sub>2</sub>	
<b>Rotary</b>	Resin Impregnated Carbon	Antimony Loaded Carbon
<b>Seat</b>	Sintered Silicon Carbide	
<b>O-Rings and Elastomer</b>	Viton	
<b>Legend (Refer App.guide)</b>	A1-2	A1-3

**4200H REPLACEMENT SEAL  
(INDIA, CHINA, APR & MIDDLE EAST)****REPLACEMENT SEAL PART NUMBERS**

PUMP SIZE	POWER	PART NUMBER		QTY REQUIRED	
		A1-2	A1-3		
25-150	All	8975002-304*	8975002-305	1	
40-150					
65-150					
25-200					
40-200					
80-200					
100-200					
100S-250	Upto 7.5kW				
80-200	From 11.0kW	8975002-334*	8975002-335	1	
100S-250					
150-250	All	8975002-334*	8975002-335	1	
125-290					
150-330					
100-200					From 30.0kW
200-330					Upto 30.0kW
200-330	From 37.0kW	8975002-374*	8975002-375	1	
150-375					All





**4200H REPLACEMENT SEAL KIT  
(INDIA, CHINA, APR & MIDDLE EAST)**

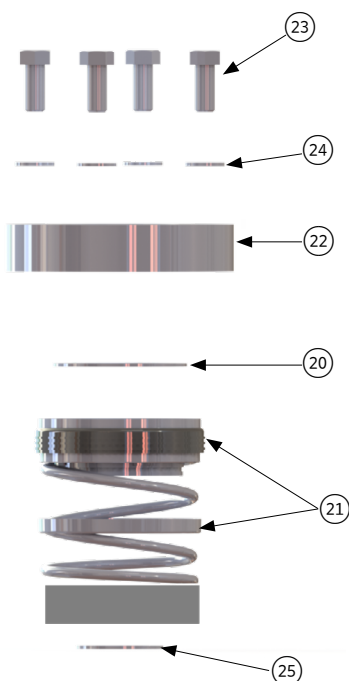
**KIT PART NUMBERS**

PUMP SIZE	POWER	PART NUMBER		QTY REQUIRED
		A1-2	A1-3	
25-150	All	8975002-304K*	8975002-305K	1
40-150				
65-150				
25-200				
40-200				
80-200				
100-200				
100S-250				
80-200	Upto 7.5kW	8975002-304K*	8975002-305K	1
100-200				
100S-250	From 11.0kW	8975002-304K*	8975002-305K	1
80-200				
150-250	All	8975002-334K*	8975002-335K	1
125-290				
150-330				
100-200				
200-330	From 30.0kW	8975002-334K*	8975002-335K	1
200-330	Upto 30.0kW			
200-330	From 37.0kW	8975002-374K*	8975002-375K	1
150-375	All			

**INDIA, CHINA, APR, MIDDLE EAST & UK EXPORT**

APPLICATION GUIDE						
Fluid	<200F			>200F		
	<=2000PPM	>2000PPM	>4000PPM	<=2000PPM	>2000PPM	>4000PPM
Potable Water	A1-2	No potable water for this application				
Non-Potable Water	A1-2	A1-2	NCP	A1-3	A1-2	NCP
Glycol > 30%	A1-2	A1-2	NCP	A1-2	A1-2	NCP
All Other	A1-2	A1-2	NCP	A1-3	A1-2	NCP

\* Default selection for India, China, APR and Middle East

**4200H MECHANICAL SEAL KIT  
(UK & EUROPE)****KIT CONTENTS**

ITEM	DESCRIPTION
(21)	Mechanical Seal
(25)	Retaining Ring
(22)	Seal Cover
(23)	Seal Cover Capscrew
(24)	Seal Cover Capscrew Washer
(20)	Seal Gasket

<b>Manu Code</b>	C-TC 1A	AC-TC 1A**
<b>Seal Type</b>	John Crane 1	John Crane Type 1
<b>Rotary</b>	Resin bonded carbon	Antimony loaded carbon
<b>Seat</b>	Tungsten carbide	
<b>O-Rings and Elastomer</b>	EPDM	
<b>Legend (Refer App.guide)</b>	C4	C5

**4200H REPLACEMENT SEAL  
(UK & EUROPE)****REPLACEMENT SEAL PART NUMBERS**

PUMP SIZE	POWER	PART NUMBER		QTY REQUIRED
		C4	C5	
25-150	All	89975000-961	89975000-960**	1
40-150				
65-150				
25-200				
40-200				
80-200				
100-200	Upto 7.5kW	89975000-961	89975000-960**	1
100S-250				
80-200				
100S-250	From 11.0kW	89975000-961	89975000-960**	1
150-250				
125-290	All	89975000-964	89975000-963**	1
150-330				
100-200				
200-330	Upto 30.0kW	89975000-964	89975000-963**	1
200-330				
200-330	From 37.0kW	89975000-968	89975000-967**	1
150-375				



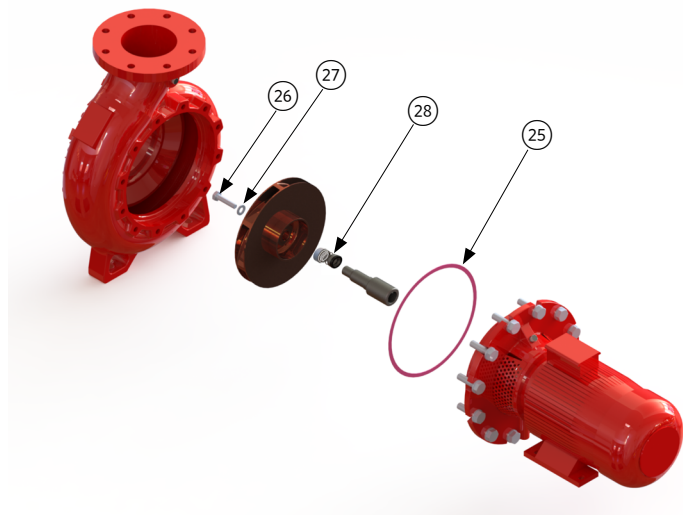
**4200H REPLACEMENT SEAL KIT  
(UK & EUROPE)**

**KIT PART NUMBERS**

PUMP SIZE	POWER	PART NUMBER		QTY REQUIRED
		C4	C5	
25-150	All	89975000-961K	89975000-960K**	1
40-150				
65-150				
25-200				
40-200				
80-200				
100-200	Upto 7.5kW			
100S-250				
80-200	From 11.0kW			
100S-250				
150-250	All	89975000-964K	89975000-963K**	1
125-290				
150-330				
100-200	From 30.0kW			
200-330	Upto 30.0kW			
200-330	From 37.0kW	89975000-968K	89975000-967K**	1
150-375	All			

\*\* Default selection for UK & Europe

### 4030 & 4280 MECHANICAL SEAL KIT (INDIA, CHINA, APR, MIDDLE EAST, UK & EUROPE)



#### KIT CONTENTS

ITEM	DESCRIPTION
25	Casing Gasket
26	Impeller Capscrew
27	Impeller Washer
28	Mechanical Seal Kit

### 4030 & 4280 REPLACEMENT SEAL KIT (INDIA, CHINA, APR, MIDDLE EAST, UK & EUROPE)



#### KIT CONTENTS

ITEM	DESCRIPTION
25	Casing Gasket
26	Impeller Capscrew
27	Impeller Washer
28	Mechanical Seal Kit

<b>Manu Code</b>	SSCSSC L EPSS 2A	C-SSC L EPSS 2A*	ACSSC O EPSS 2A**
<b>Seal Type</b>	Armstrong 2A		
<b>Rotary</b>	Sintered Silicon Carbide	Resin Bonded Carbon	Antimony Loaded Carbon
<b>Seat</b>	Sintered Silicon Carbide		
<b>L-Cups or O-Rings and Elastomer</b>	EPDM (L-Cup)	EPDM (L-Cup)	EPDM (O-Ring)
<b>Legend (Refer App.guide)</b>	L2-A	L1-A	H3-A

\* Default selection for India, China, APR and Middle East

\*\* Default selection for UK &amp; Europe

**4030 KIT PART NUMBERS**

PUMP SIZE	POWER	PART NUMBER			QTY REQUIRED
		L2-A	L1-A	H3-A	
25-150	All	89975001-81701K	8975000-98201K*	89975001-81301K**	1
40-150	All	89975001-81701K	8975000-98201K*	89975001-81301K**	1
50-150	All	89975001-81701K	8975000-98201K*	89975001-81301K**	1
65-150	All	89975001-81701K	8975000-98201K*	89975001-81301K**	1
80-150	All	89975001-81701K	8975000-98201K*	89975001-81301K**	1
25-200	All	89975001-81702K	8975000-98202K*	89975001-81302K**	1
40-200	All	89975001-81702K	8975000-98202K*	89975001-81302K**	1
50-200	All	89975001-81702K	8975000-98202K*	89975001-81302K**	1
65-200	All	89975001-81702K	8975000-98202K*	89975001-81302K**	1
80-200	Upto 11.0kW	89975001-81702K	8975000-98202K*	89975001-81302K**	1
100-200	Upto 11.0kW	89975001-81702K	8975000-98202K*	89975001-81302K**	1
100S-200	Upto 11.0kW	89975001-81702K	8975000-98202K*	89975001-81302K**	1
200-200	Upto 5.5kW	89975001-81702K	8975000-98202K*	89975001-81302K**	1
80-200	From 15.0kW	89975001-83702K	8975000-98402K*	89975001-83302K**	1
100-200	From 15.0kW	89975001-83702K	8975000-98402K*	89975001-83302K**	1
100S-200	From 15.0kW	89975001-83702K	8975000-98402K*	89975001-83302K**	1
200-200	From 7.5kW	89975001-83702K	8975000-98402K*	89975001-83302K**	1
25-250	Upto 11.0kW	89975001-81703K	8975000-98203K*	89975001-81303K**	1
40-250	Upto 11.0kW	89975001-81703K	8975000-98203K*	89975001-81303K**	1
50-250	Upto 11.0kW	89975001-81703K	8975000-98203K*	89975001-81303K**	1
65-250	Upto 4.0kW	89975001-81703K	8975000-98203K*	89975001-81303K**	1
80-250	Upto 7.5kW	89975001-81703K	8975000-98203K*	89975001-81303K**	1
100S-250	Upto 7.5kW	89975001-81703K	8975000-98203K*	89975001-81303K**	1
125-250	Upto 7.5kW	89975001-81703K	8975000-98203K*	89975001-81303K**	1
25-250	From 15.0kW	89975001-83703K	8975000-98403K*	89975001-83303K**	1
40-250	From 15.0kW	89975001-83703K	8975000-98403K*	89975001-83303K**	1
50-250	From 15.0kW	89975001-83703K	8975000-98403K*	89975001-83303K**	1
65-250	From 11.0kW	89975001-83703K	8975000-98403K*	89975001-83303K**	1
80-250	From 15.0kW	89975001-83703K	8975000-98403K*	89975001-83303K**	1
100S-250	From 11.0kW	89975001-83703K	8975000-98403K*	89975001-83303K**	1
125-250	From 11.0kW	89975001-83703K	8975000-98403K*	89975001-83303K**	1
150-250	All	89975001-83703K	8975000-98403K*	89975001-83303K**	1
80-290	All	89975001-81704K	8975000-98204K*	89975001-81304K**	1
100-290	All	89975001-81704K	8975000-98204K*	89975001-81304K**	1
150-290	All	89975001-83704K	8975000-98404K*	89975001-83304K**	1
40-330	All	89975001-83705K	8975000-98405K*	89975001-83305K**	1
50-330	All	89975001-83705K	8975000-98405K*	89975001-83305K**	1
80-330	All	89975001-83705K	8975000-98405K*	89975001-83305K**	1
100-330	All	89975001-83705K	8975000-98405K*	89975001-83305K**	1
100-330H	All	89975001-83705K	8975000-98405K*	89975001-83305K**	1
125-330	All	89975001-83705K	8975000-98405K*	89975001-83305K**	1
125-330H	All	89975001-83705K	8975000-98405K*	89975001-83305K**	1
150-330	All	89975001-83705K	8975000-98405K*	89975001-83305K**	1
200-330	All	89975001-87705K	8975000-98505K*	89975001-87305K**	1
150-375	All	89975001-87706K	8975000-98506K*	89975001-87306K**	1
200-375	All	89975001-87706K	8975000-98506K*	89975001-87306K**	1

\* Default selection for India, China, APR and Middle East

\*\* Default selection for UK & Europe

## 4280 KIT PART NUMBERS

PUMP SIZE	POWER	PART NUMBER			QTY REQUIRED
		L2-A	L1-A	H3-A	
25-150	All	89975001-81707K	8975000-98207K*	89975001-81307K**	1
40-150	All	89975001-81707K	8975000-98207K*	89975001-81307K**	1
50-150	All	89975001-81707K	8975000-98207K*	89975001-81307K**	1
65-150	All	89975001-81707K	8975000-98207K*	89975001-81307K**	1
80-150	All	89975001-81707K	8975000-98207K*	89975001-81307K**	1
25-200	Upto 7.5kW	89975001-81708K	8975000-98208K*	89975001-81308K**	1
40-200	Upto 7.5kW	89975001-81708K	8975000-98208K*	89975001-81308K**	1
50-200	Upto 7.5kW	89975001-81708K	8975000-98208K*	89975001-81308K**	1
65-200	Upto 7.5kW	89975001-81708K	8975000-98208K*	89975001-81308K**	1
80-200	Upto 7.5kW	89975001-81708K	8975000-98208K*	89975001-81308K**	1
100-200	Upto 7.5kW	89975001-81708K	8975000-98208K*	89975001-81308K**	1
100S-200	Upto 5.5kW	89975001-81708K	8975000-98208K*	89975001-81308K**	1
200-200	All	89975001-81708K	8975000-98208K*	89975001-81308K**	1
25-200	From 11.0kW	89975001-83708K	8975000-98408K*	89975001-83308K**	1
40-200	From 11.0kW	89975001-83708K	8975000-98408K*	89975001-83308K**	1
50-200	From 11.0kW	89975001-83708K	8975000-98408K*	89975001-83308K**	1
65-200	From 11.0kW	89975001-83708K	8975000-98408K*	89975001-83308K**	1
80-200	From 11.0kW	89975001-83708K	8975000-98408K*	89975001-83308K**	1
100-200	From 11.0kW	89975001-83708K	8975000-98408K*	89975001-83308K**	1
100S-200	From 11.0kW	89975001-83708K	8975000-98408K*	89975001-83308K**	1
40-250	Upto 7.5kW	89975001-81709K	8975000-98209K*	89975001-81309K**	1
50-250	Upto 7.5kW	89975001-81709K	8975000-98209K*	89975001-81309K**	1
65-250	Upto 4.0kW	89975001-81709K	8975000-98209K*	89975001-81309K**	1
80-250	Upto 5.5kW	89975001-81709K	8975000-98209K*	89975001-81309K**	1
100S-250	Upto 7.5kW	89975001-81709K	8975000-98209K*	89975001-81309K**	1
125-250	Upto 7.5kW	89975001-81709K	8975000-98209K*	89975001-81309K**	1
150-250	Upto 7.5kW	89975001-81709K	8975000-98209K*	89975001-81309K**	1
40-250	From 11.0kW	89975001-83709K	8975000-98409K*	89975001-83309K**	1
50-250	From 11.0kW	89975001-83709K	8975000-98409K*	89975001-83309K**	1
65-250	From 11.0kW	89975001-83709K	8975000-98409K*	89975001-83309K**	1
80-250	From 15.0kW	89975001-83709K	8975000-98409K*	89975001-83309K**	1
100S-250	From 11.0kW	89975001-83709K	8975000-98409K*	89975001-83309K**	1
125-250	From 11.0kW	89975001-83709K	8975000-98409K*	89975001-83309K**	1
150-250	From 11.0kW	89975001-83709K	8975000-98409K*	89975001-83309K**	1
80-290	Upto 7.5kW	89975001-81710K	8975000-98210K*	89975001-81310K**	1
100-290	Upto 7.5kW	89975001-81710K	8975000-98210K*	89975001-81310K**	1
125-290	Upto 7.5kW	89975001-81710K	8975000-98210K*	89975001-81310K**	1
80-290	From 11.0kW	89975001-83710K	8975000-98410K*	89975001-83310K**	1
100-290	From 11.0kW	89975001-83710K	8975000-98410K*	89975001-83310K**	1
125-290	From 11.0kW	89975001-83710K	8975000-98410K*	89975001-83310K**	1
150-290	All	89975001-83710K	8975000-98410K*	89975001-83310K**	1
40-330	All	89975001-83711K	8975000-98411K*	89975001-83311K**	1
50-330	All	89975001-83711K	8975000-98411K*	89975001-83311K**	1
80-330	All	89975001-83711K	8975000-98411K*	89975001-83311K**	1
100-330	All	89975001-83711K	8975000-98411K*	89975001-83311K**	1
100-330H	All	89975001-83711K	8975000-98411K*	89975001-83311K**	1
125-330	All	89975001-83711K	8975000-98411K*	89975001-83311K**	1
125-330H	All	89975001-83711K	8975000-98411K*	89975001-83311K**	1
150-330	All	89975001-83711K	8975000-98411K*	89975001-83311K**	1

\* Default selection for India, China, APR and Middle East

\*\* Default selection for UK &amp; Europe

**INDIA, CHINA, APR, ME**

**APPLICATION GUIDE**

Fluid	<200F			>200F		
	<=2000PPM	>2000PPM	>4000PPM	<=2000PPM	>2000PPM	>4000PPM
<b>Potable Water</b>	L1-A	No potable water for this application				
<b>Non-Potable Water</b>	L1-A	L2-A	NCP	H3-A	L2-A	NCP
<b>Glycol &gt; 30%</b>	L2-A	NCP	NCP	L2-A	L2-A	NCP
<b>All Other</b>	L1-A	L2-A	NCP	H3-A	L2-A	NCP

**UK & EUROPE**

**APPLICATION GUIDE**

Fluid	<200F			>200F		
	<=2000PPM	>2000PPM	>4000PPM	<=2000PPM	>2000PPM	>4000PPM
<b>Potable Water</b>	L1-A	No potable water for this application				
<b>Non-Potable Water</b>	H3-A	L2-A	NCP	H3-A	L2-A	NCP
<b>Glycol &gt; 30%</b>	L2-A	L2-A	NCP	L2-A	L2-A	NCP
<b>All Other</b>	H3-A	L2-A	NCP	H3-A	L2-A	NCP

**4030 BEARING HOUSING/FRAME PARTS KIT****4030-SMALL BEARING FRAME (FITS-1¼" MECHANICAL SEAL)**

PUMP SIZE	1450 RPM	2900 RPM	GREASE	GREASE	RE-GREASE	RE-GREASE	OIL	OIL
	kW		STEEL	STAINLESS STEEL	STEEL	STAINLESS STEEL	STEEL	STAINLESS STEEL
25-150 1.5×1×6	Upto .75	1.1 to 5.5	826768-000	826768-071	N/A	N/A	N/A	N/A
40-150 3×1.5×6	Upto 1.1	1.5 to 7.5	826768-000	826768-071	N/A	N/A	N/A	N/A
50-150 3×2×6	Upto 1.1	2.2 to 11	826768-000	826768-071	N/A	N/A	N/A	N/A
65-150 3×2.5×6	Upto 1.5	2.2 to 7.5	826768-000	826768-071	N/A	N/A	N/A	N/A
80-150 4×3×6	Upto 1.5	3 to 11	826768-000	826768-071	N/A	N/A	N/A	N/A
25-200 1.5×1×8	Upto 1.5	2.2 to 11	826768-000	826768-071	N/A	N/A	N/A	N/A
40-200 3×1.5×8	Upto 2.2	4 to 18.5	826768-000	826768-071	N/A	N/A	N/A	N/A
50-200 3×2×8	Upto 2.2	5.5 to 22	826768-000	826768-071	N/A	N/A	N/A	N/A
65-200 3×2.5×8	Upto 3	5.5 to 22	826768-000	826768-071	N/A	N/A	N/A	N/A
80-200 4×3×8	Upto 5.5	5.5 to 11	826768-000	826768-071	N/A	N/A	N/A	N/A
100S-200 5×4×8	Upto 5.5	—	826768-000	826768-071	N/A	N/A	N/A	N/A
100-200 6×4×8	Upto 5.5	7.5 to 11	826768-000	826768-071	N/A	N/A	N/A	N/A
200-200 8×8×8	Upto 5.5	—	826768-000	826768-071	N/A	N/A	N/A	N/A
25-250 2×1×10	Upto 7.5	7.5 to 11	826768-000	826768-071	N/A	N/A	N/A	N/A
40-250 3×1.5×10	Upto 5.5	7.5 to 11	826768-000	826768-071	N/A	N/A	N/A	N/A
50-250 3×2×10	Upto 7.5	11	826768-000	826768-071	N/A	N/A	N/A	N/A
65-250 3×2.5×10	Upto 7.5	—	826768-000	826768-071	N/A	N/A	N/A	N/A
80-250 4×3×10	Upto 11	—	826768-000	826768-071	N/A	N/A	N/A	N/A
100S-250 5×4×10	Upto 7.5	—	826768-000	826768-071	N/A	N/A	N/A	N/A
100-250 6×4×10	Upto 7.5	—	826768-000	826768-071	N/A	N/A	N/A	N/A
125-250 6×5×10	Upto 7.5	—	826768-000	826768-071	N/A	N/A	N/A	N/A
80-290 4×3×11.5	Upto 15	—	826768-000	826768-071	N/A	N/A	N/A	N/A
100-290 5×4×11.5	Upto 15	—	826768-000	826768-071	N/A	N/A	N/A	N/A
125-290 6×5×11.5	Upto 11	—	826768-000	826768-071	N/A	N/A	N/A	N/A



**4030-MEDIUM BEARING FRAME (FITS-1 5/8" MECHANICAL SEAL)**

PUMP SIZE	1450 RPM	2900 RPM	GREASE	GREASE	RE-GREASE	RE-GREASE	OIL	OIL
	kW		STEEL	STAINLESS STEEL	STEEL	STAINLESS STEEL	STEEL	STAINLESS STEEL
80-200 4×3×8	—	15 to 37	826771-000	826771-071	N/A	N/A	N/A	N/A
100S-200 5×4×8	—	15 to 55	826771-000	826771-071	N/A	N/A	N/A	N/A
100-200 6×4×8	—	15	826771-000	826771-071	N/A	N/A	N/A	N/A
200-200 8×8×8	Up to 7.5	—	826771-000	826771-071	N/A	N/A	N/A	N/A
25-250 2×1×10	—	Up to 30	826771-000	826771-071	N/A	N/A	N/A	N/A
40-250 3×1.5×10	—	15 to 37	826771-000	826771-071	N/A	N/A	N/A	N/A
50-250 3×2×10	—	15 to 45	826771-000	826771-071	N/A	N/A	N/A	N/A
65-250 3×2.5×10	—	15 to 55	826771-000	826771-071	N/A	N/A	N/A	N/A
80-250 4×3×10	15	15 to 18.5	826771-000	826771-071	N/A	N/A	N/A	N/A
100S-250 5×4×10	11	—	826771-000	826771-071	N/A	N/A	N/A	N/A
100-250 6×4×10	11 to 15	18.5	826771-000	826771-071	N/A	N/A	N/A	N/A
125-250 6×5×10	11 to 75	75 to 110	826771-000	826771-071	N/A	N/A	N/A	N/A
150-250 8×6×10	7.5 to 22	—	826771-000	826771-071	N/A	N/A	N/A	N/A
125-290 6×5×11.5	15	—	826771-000	826771-071	N/A	N/A	N/A	N/A
150-290 8×6×11.5	11 to 30	—	826771-000	826771-071	N/A	N/A	N/A	N/A
40-330 3×1.5×13	3 to 11	22 to 45	826771-000	826771-071	N/A	N/A	N/A	N/A
50-330 3×2×13	5.5 to 22	30 to 55	826771-000	826771-071	N/A	N/A	N/A	N/A
80-330 4×3×13	11 to 37	—	826771-000	826771-071	N/A	N/A	N/A	N/A
100-330 6×4×13	11 to 45	—	826771-000	826771-071	N/A	N/A	N/A	N/A
100-330H 6×4×13H	11 to 45	—	826771-000	826771-071	N/A	N/A	N/A	N/A
150-330 8×6×13	11 to 30	—	826771-000	826771-071	N/A	N/A	N/A	N/A
125-330 6×5×13	7.5 to 30	—	826771-000	826771-071	N/A	N/A	N/A	N/A
125-330H 6×5×13H	7.5 to 45	—	826771-000	826771-071	N/A	N/A	N/A	N/A

**4030-MEDIUM HEAVY-DUTY BEARING FRAME (FITS-1 $\frac{5}{8}$ " MECHANICAL SEAL)**

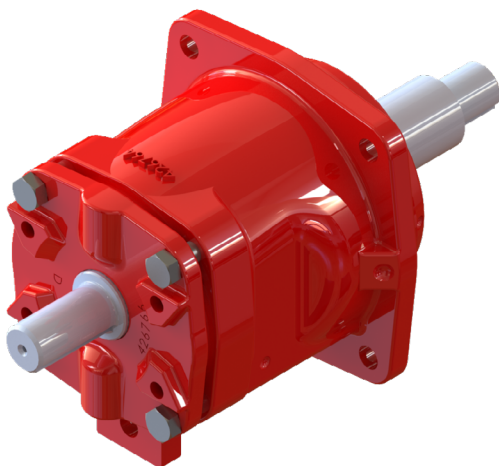
PUMP SIZE	1450 RPM	2900 RPM	GREASE	GREASE	RE-GREASE	RE-GREASE	OIL	OIL
	kW		STEEL	STAINLESS STEEL	STEEL	STAINLESS STEEL	STEEL	STAINLESS STEEL
100S-200 5×4×8	—	22 to 45	N/A	N/A	827816-000	827816-071	N/A	N/A
100-200 6×4×8	—	22 to 55	N/A	N/A	827816-000	827816-071	N/A	N/A
80-250 4×3×10	—	22 to 55	N/A	N/A	827816-000	827816-071	N/A	N/A
100-250 6×4×10	75	22 to 90	N/A	N/A	827816-000	827816-071	N/A	N/A
125-250 6×5×10	5.5 to 75	37 to 110	N/A	N/A	827816-000	827816-071	N/A	N/A
50-330 3×2×13	11 to 45	—	N/A	N/A	827816-000	827816-071	N/A	N/A

**4030-MEDIUM X HEAVY-DUTY BEARING FRAME (FITS-1 $\frac{5}{8}$ " MECHANICAL SEAL)**

PUMP SIZE	1450 RPM	2900 RPM	GREASE	GREASE	RE-GREASE	RE-GREASE	OIL	OIL
	kW		STEEL	STAINLESS STEEL	STEEL	STAINLESS STEEL	STEEL	STAINLESS STEEL
100S-250 5×4×10	75	30 to 75	N/A	N/A	N/A	N/A	827819-000	827819-071
150-330 8×6×13	37 to 45	—	N/A	N/A	N/A	N/A	827819-000	827819-071

**4030-LARGE BEARING FRAME (FITS 2 $\frac{1}{8}$ " MECHANICAL SEAL)**

PUMP SIZE	1450 RPM	2900 RPM	GREASE	GREASE	RE-GREASE	RE-GREASE	OIL	OIL
	kW		STEEL	STAINLESS STEEL	STEEL	STAINLESS STEEL	STEEL	STAINLESS STEEL
200-330 10×8×13	22 to 75	—	N/A	N/A	N/A	N/A	826775-000	826775-071
150-375 8×6×15	30 to 90	—	N/A	N/A	N/A	N/A	826775-000	826775-071
200-375 10×8×15	45 to 132	—	N/A	N/A	N/A	N/A	826775-000	826775-071



**STANDARD TEFV MOTOR FRAME SIZE, RPM AND kW FOR SELECTION OF BEARING HOUSING**

TEFV MOTOR FRAME	1450 RPM	2900 RPM
	kW	
80L	0.55/ 0.75	1.1
90S	1.1	1.5
90L	1.5	2.2
100L	2.2/ 3.0	3.0
112M	4.0	4.0
132S	5.5	5.5
132M	7.5	7.5
160M	11.0	11.0
160L	15.0	15.0
280S	75.0	18.5
180M	18.5	22.0
180L	22.0	30.0
200L	30.0	37.0
225S	37.0	45.0
225M	45.0	55.0
250M	55.0	55
280M	90.0	75.0
315S	110.0	90.0
315M	132.0	110.0

**TORONTO**

23 BERTRAND AVENUE  
TORONTO, ONTARIO  
CANADA, M1L 2P3  
+1 416 755 2291

**BUFFALO**

93 EAST AVENUE  
NORTH TONAWANDA, NEW YORK  
U.S.A., 14120-6594  
+1 716 693 8813

**DROITWICH SPA**

POINTON WAY,  
STONEBRIDGE CROSS BUSINESS PARK  
DROITWICH SPA, WORCESTERSHIRE  
UNITED KINGDOM, WR9 0LW  
+44 8444 145 145

**MANCHESTER**

WOLVERTON STREET  
MANCHESTER  
UNITED KINGDOM, M11 2ET  
+44 8444 145 145

**BANGALORE**

#59, FIRST FLOOR, 3RD MAIN  
MARGOSA ROAD, MALLESWARAM  
BANGALORE, INDIA, 560 003  
+91 80 4906 3555

**SHANGHAI**

UNIT 903, 888 NORTH SICHUAN RD.  
HONGKOU DISTRICT, SHANGHAI  
CHINA, 200085  
+86 21 5237 0909

**SÃO PAULO**

RUA JOSÉ SEMIÃO RODRIGUES AGOSTINHO,  
1370 GALPÃO 6 EMBU DAS ARTES  
SAO PAULO, BRAZIL  
+55 11 4785 1330

**LYON**

93 RUE DE LA VILLETTE  
LYON, 69003 FRANCE  
+33 4 26 83 78 74

**DUBAI**

JAFZA VIEW 19, OFFICE 402  
P.O.BOX 18226 JAFZA,  
DUBAI - UNITED ARAB EMIRATES  
+971 4 887 6775

**MANNHEIM**

DYNAMOSTRASSE 13  
68165 MANNHEIM  
GERMANY  
+49 621 3999 9858

**JIMBOLIA**

STR CALEA MOTILOR NR. 2C  
JIMBOLIA 305400, JUD.TIMIS  
ROMANIA  
+40 256 360 030

**ARMSTRONG FLUID TECHNOLOGY**  
ESTABLISHED 1934

**FOR SERVICE RELATED PARTS & KITS**

Use ADEPT Select to quickly and easily select.

Visit [adept.armstrongfluidtechnology.com](http://adept.armstrongfluidtechnology.com) to learn more



ARMSTRONGFLUIDTECHNOLOGY.COM