



**DESIGN
ENVELOPE®**



Design Envelope Pumps Part Kits

Design Envelope Permanent
Magnet (DEPM) Motor Pumps

Design Envelope Intelligent
Variable Speed (IVS) Pumps

Design Envelope Permanent
Magnet Variable Speed (DEPM
IVS) Pumps

CATALOG

FILE NO: 6012.120
DATE: FEBRUARY 2024

SUPERSEDES: 6012.120
DATE: JANUARY 2023

—

—

—

—

CONTENTS

INTRODUCTION	4	IVS102 DEPC SCREEN REPLACEMENT KIT	19
DESIGN ENVELOPE 4300 & 4322 PARTS LIST	5	IVS102 DEPC RETROFIT KIT	19
DESIGN ENVELOPE 4380 & 4372 PARTS LIST	6	IVS DEPC COVER ASSEMBLY	20
DESIGN ENVELOPE 4200H PARTS LIST	7	IVS102 COVER REWORK KIT	20
DESIGN ENVELOPE 4280 PARTS LIST	8	DESIGN ENVELOPE STANDARD FLUSH LINE SPARE/ REPLACEMENT PARTS KIT	21
V-CLAMP RING KIT	9	FLUSH LINE - SEDIMENT FILTER W/ SIGHT FLOW INDICATOR PARTS KIT	22
SPRING ISOLATOR	10	DESIGN ENVELOPE FLUSH LINE - CYCLONE SEPARATOR / SIGHT FLOW INDICATOR (250 PSI) PARTS KIT-NYLON	24
SHROUD PARTS	10	DESIGN ENVELOPE FLUSH LINE - CYCLONE SEPARATOR / SIGHT FLOW INDICATOR (2000 PSI) PARTS KIT-STAINLESS STEEL	26
COUPLING KIT	11	DESIGN ENVELOPE 50 MICRON SEDIMENT FILTER REPLACEMENT PARTS KIT	28
MECHANICAL SEAL KIT - DESIGN ENVELOPE 4300, 4322 & 4200H	13	DESIGN ENVELOPE CYCLONE SEPARATOR REPLACEMENT PARTS KIT-NYLON	28
REPLACEMENT SEAL - DESIGN ENVELOPE 4300, 4322 & 4200H	13	DESIGN ENVELOPE CYCLONE SEPARATOR REPLACEMENT PARTS KIT-STAINLES STEEL	29
REPLACEMENT SEAL KIT - DESIGN ENVELOPE 4300, 4322 & 4200H	14	DEPM IVS 4300 PARTS LIST	30
MECHANICAL SEAL KIT - DESIGN ENVELOPE 4380, 4372 & 4280	15	DEPM IVS 4380 PARTS LIST	31
REPLACEMENT SEAL KIT - DESIGN ENVELOPE 4380, 4372 & 4280	15	4300/4380 DEPM IVS PUMP CASING GASKET	31
MECHANICAL SEAL AND BLANKING PLATE REPLACEMENT KIT- DESIGN ENVELOPE 4322	16	4300 DEPM IVS PUMP MECHANICAL SEAL	32
MECHANICAL SEAL AND BLANKING PLATE REPLACEMENT KIT- DESIGN ENVELOPE 4372	17	4380 DEPM IVS PUMP MECHANICAL SEAL	34
BLANKING PLATE KIT - DESIGN ENVELOPE 4322 & 4372	18	4300/4380 DEPM IVS PUMP DESIGN ENVELOPE PUMP CONTROLLER PARTS KIT (DEPC)	35
TOUCH SCREEN COVER REPLACEMENT KIT	18		
WEATHER SHIELD REPLACEMENT KIT	18		
DESIGN ENVELOPE PUMP CONTROLLER (DEPC) PARTS KIT	19		

INTRODUCTION

Armstrong was founded on the core values of Community, Service, Learning and Innovation. Reflecting our commitment to service, Armstrong now provides 360 Service and Support. Working collaboratively with the 'partner' companies in our network, we're ready to provide the service and support that customers need in relation to building performance.

A key part of serving our customers is providing Genuine Armstrong Replacement Parts to support installations of our products. But the value we provide goes beyond the quality of the replacement part.

With the availability of parts in packaged kits, you'll never have to leave a repair incomplete just because you didn't have all the pieces required for the job. And you won't have to pay a premium for rush delivery of additional parts.

Your customers will be happier, because their mechanical systems will be returned to service earlier. That means you'll be more likely to get their repeat business.

The Armstrong replacement parts program serves contractors and end customers through a combination of : Availability, Easy Selection, Easy Transactions, Quick Delivery and Technical Support.

AVAILABILITY

- Dedicated service parts inventory
- Real-time inventory information
- Active channel inventory management

EASY SELECTION

- Parts selection charts with updated descriptions, pictures and sizing details
- Illustrated part selection information
- Product details on packaging
- All items within each Parts Kit are carefully selected for accurate sizing

EASE OF TRANSACTION

- Parts and Kits available in [ADEPT](#) Locator tool for local parts dealers
- Complete parts kits reduce the work to source items.
- One search and one order address a service issue

QUICK DELIVERY OF PARTS SOLUTIONS

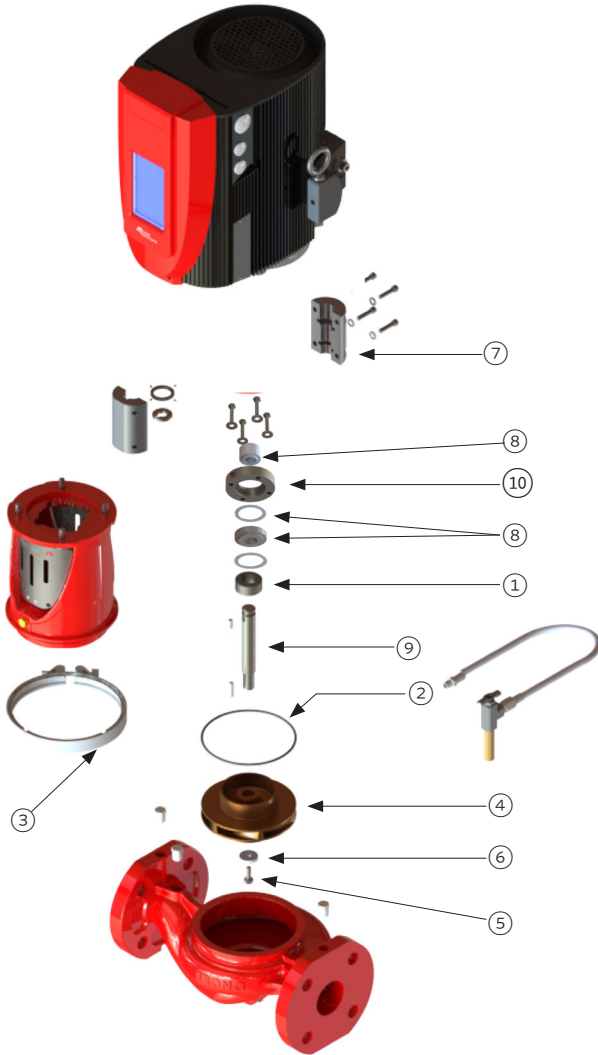
- On-time shipment
- Options for shipping service levels
- Parts Kits include all parts and related items required to complete replacement work

SUPPORT

- Trained Armstrong support professionals
- Dedicated 24x7 service and support parts

DESIGN ENVELOPE VERTICAL IN-LINE PUMPING UNIT

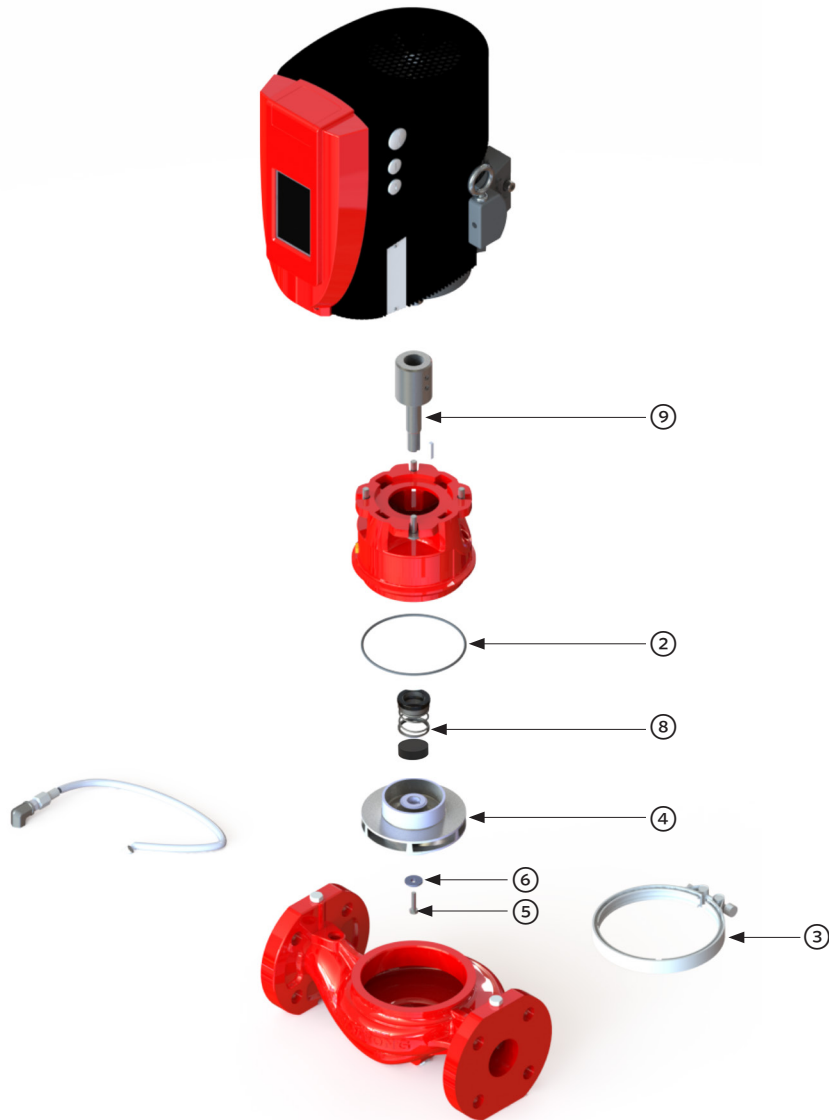
DESIGN ENVELOPE 4300 & 4322 PARTS LIST



ITEM	DESCRIPTION
①	Carbon Bush
②	Casing O-ring
③	Clamp V-Ring
⑦	Coupling
⑩	Cover Seal
④	Impeller
⑤	Impeller Cap Screw
⑥	Impeller Washer
⑧	Mechanical Seal
⑨	Shaft

DESIGN ENVELOPE VERTICAL IN-LINE PUMPING UNIT

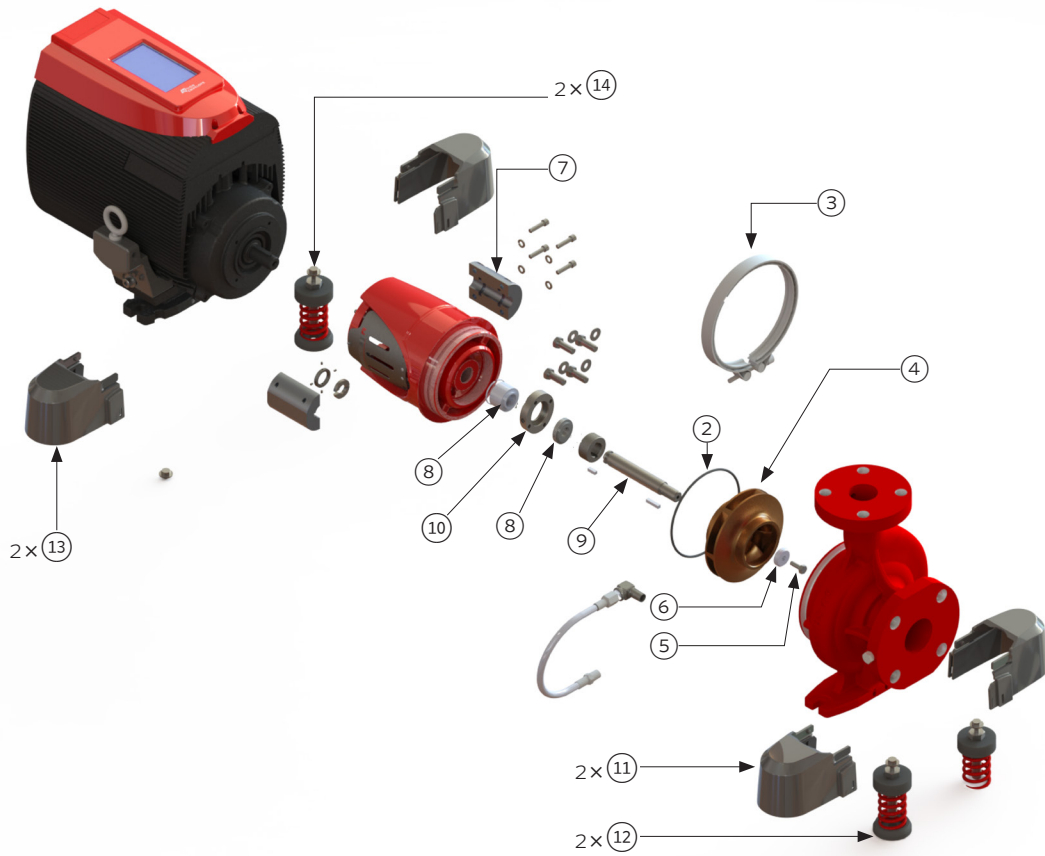
DESIGN ENVELOPE 4380 & 4372 PARTS LIST



ITEM	DESCRIPTION
②	Casing O-ring
③	Clamp V-Ring
④	Impeller
⑤	Impeller Cap Screw
⑥	Impeller Washer
⑧	Mechanical Seal
⑨	Shaft

DESIGN ENVELOPE END SUCTION PUMPING UNIT

DESIGN ENVELOPE 4200H PARTS LIST

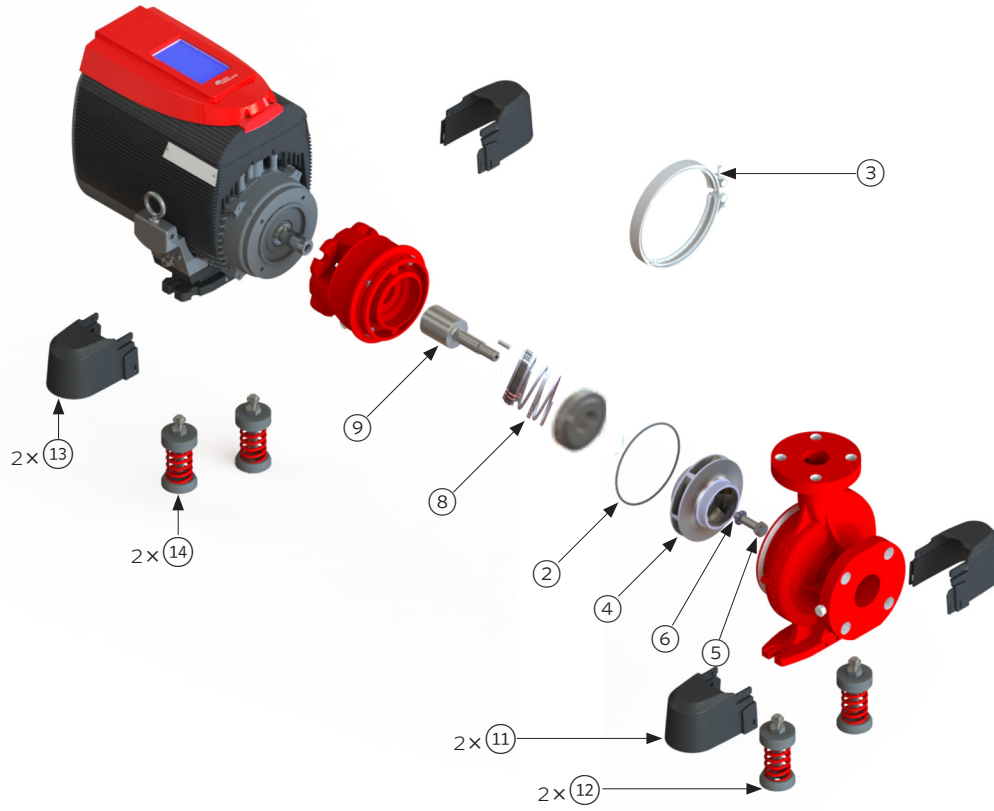


ITEM	DESCRIPTION
②	Casing O-ring
③	Clamp V-Ring
⑦	Coupling
⑩	Cover Seal
④	Impeller
⑤	Impeller Cap Screw
⑥	Impeller Washer

ITEM	DESCRIPTION
⑧	Mechanical Seal
⑨	Shaft
⑪	Shroud - Casing
⑬	Shroud - Motor
⑫	Spring Isolator - Casing
⑭	Spring Isolator - Motor

DESIGN ENVELOPE END SUCTION PUMPING UNIT

DESIGN ENVELOPE 4280 PARTS LIST



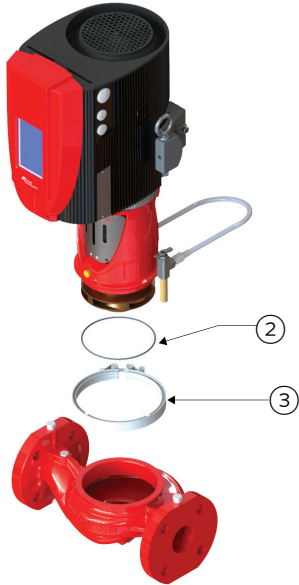
ITEM	DESCRIPTION
②	Casing O-ring
③	Clamp V-Ring
④	Impeller
⑤	Impeller Capscrew
⑥	Impeller Washer
⑧	Mechanical Seal

ITEM	DESCRIPTION
⑨	Shaft
⑪	Shroud - Casing
⑬	Shroud - Motor
⑫	Spring Isolator - Casing
⑭	Spring Isolator - Motor

PUMP PARTS KITS

V-CLAMP RING KIT

DESIGN ENVELOPE 4300, 4380, 4322 & 4372



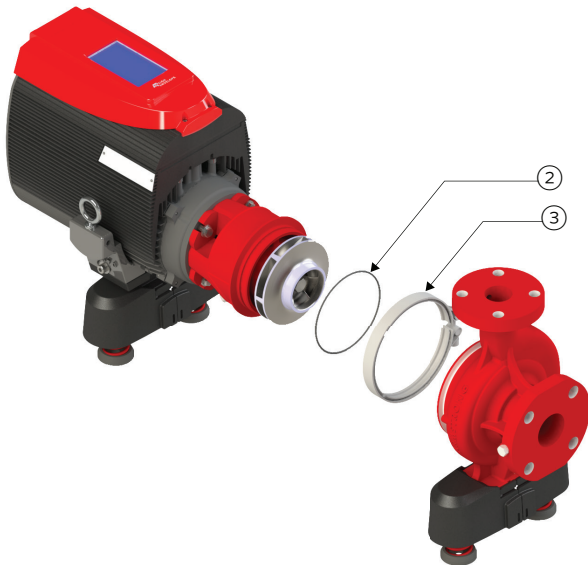
KIT CONTENTS

ITEM	DESCRIPTION
②	Casing O-ring
③	V-Clamp Ring

KIT PART NUMBERS

PUMP SIZE	PART NUMBER	QTY REQ.
1x1x3 (25-80)	8945800-810K	1
1.5x1.5x3 (40-80)	8945800-810K	1
1.25x1.25x5 (32-125)	8945800-814K	1
1.5x1.5x5 (40-125)	8945800-814K	1
2x2x5 (50-125)	8945800-814K	1
2.5x2.5x5 (65-125)	8945800-814K	1
3x3x5 (80-125)	8945800-814K	1

DESIGN ENVELOPE 4200H & 4280



KIT CONTENTS

ITEM	DESCRIPTION
②	Casing O-ring
③	V-Clamp Ring

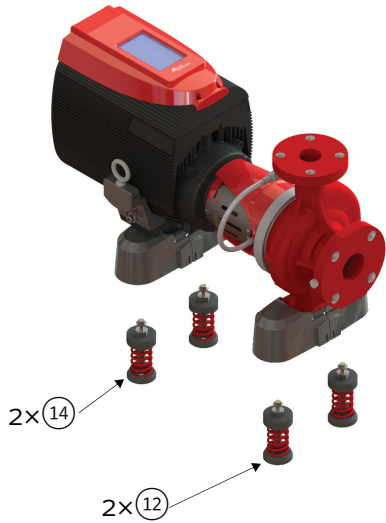
KIT PART NUMBERS

PUMP SIZE	PART NUMBER	QTY REQ.
1.5x1.25x3 (32-80)	8945800-810K	1
2x1.5x5 (40-125)	8945800-814K	1
2.5x2x5 (50-125)	8945800-814K	1
3x2.5x5 (65-125)	8945800-814K	1

PUMP PARTS KITS

SPRING ISOLATOR

DESIGN ENVELOPE 4200H & 4280



KIT CONTENTS

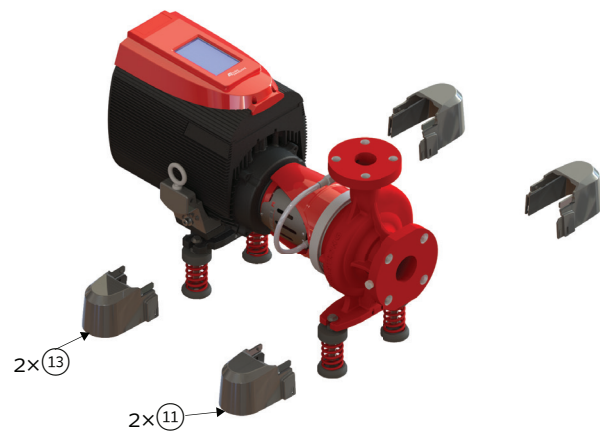
ITEM	DESCRIPTION
(12)	Spring Isolator - Casing
(14)	Spring Isolator - Motor

KIT PART NUMBERS

PUMP SIZE	POWER hp (kW)	PART NUMBER	QTY REQ.
1.5x1.25x3 (32-80)	1.0(0.75) - 1.5(1.1)	8975004-912	1
2x1.5x5 (40-125)	1.5(1.1) - 3.0(2.2)	8975004-912	1
2x1.5x5 (40-125)	4.0(3.0) - 10.0(7.5)	8975004-914	1
2x1.5x5 (40-125)	7.5(5.5) - 10.0(7.5)	8975004-914	1
2.5x2x5 (50-125)	1.5(1.1) - 2.0 (1.5)	8975004-912	1
2.5x2x5 (50-125)	3.0(2.2) - 7.5(5.5)	8975004-914	1
3x2.5x5 (65-125)	3.0(2.2) - 5.0(4.0)	8975004-913	1
3x2.5x5 (65-125)	7.5(5.5) - 10.0(7.5)	8975004-915	1

SHROUD PARTS

DESIGN ENVELOPE 4200H & 4280



KIT CONTENTS

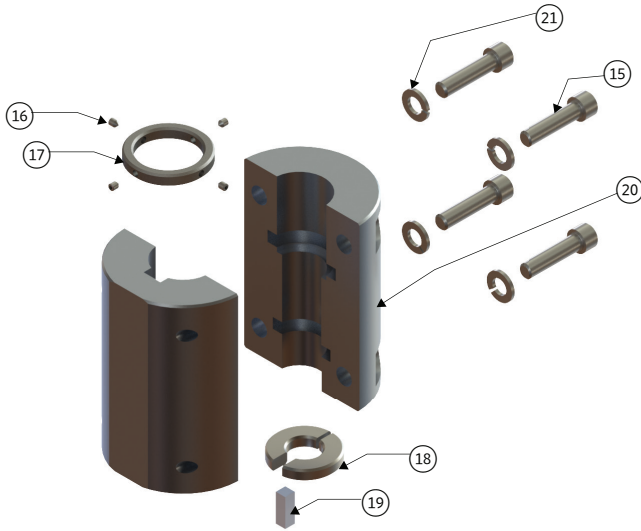
ITEM	DESCRIPTION
(11)	Shroud - Casing
(13)	Shroud - Motor

KIT PART NUMBERS

PUMP SIZE	FRAME	PART NUMBER	QTY REQ.
1.5x1.25x3 (32-80)	71/90S	8428653-003	1
2x1.5x5 (40-125)	90S/90	8428656-003	1
2.5x2x5 (50-125)		8428656-003	1
3x2.5x5 (65-125)		8428656-003	1
1.5x1.25x3 (32-80)	112	8428655-003	1
2x1.5x5 (40-125)		8428655-003	1
2.5x2x5 (50-125)		8428655-003	1
3x2.5x5 (65-125)		8428655-003	1

PUMP PARTS KITS

COUPLING KIT



KIT CONTENTS

ITEM	DESCRIPTION
⑮	Capscrew
⑯	Collar Screw
⑰	Motor Collar
⑱	Pump Collar
⑲	Pump Shaft Key
⑳	Split Coupling
㉑	Washer

KIT PART NUMBERS

DESIGN ENVELOPE 4200H

PUMP SIZE	POWER hp (kW)	FRAME	PART NUMBER	QTY REQ.
2x1.5x5 (40-125)	0.3 (0.25) 0.5 (0.37)	71	8428581-000K	1
2.5x2x5 (50-125)	0.75 (0.55) 1.0 (0.75)			
3x2.5x5 (65-125)	1.5 (1.1) 2.0 (1.5)			
2x1.5x5 (40-125)	1.0 (0.75)	90S	8428581-000K	1
2.5x2x5 (50-125)	1.5 (1.1) 2.0 (1.5)			
3x2.5x5 (65-125)				
2x1.5x5 (40-125)	2.0 (1.5) 3.0 (2.2)	90	8428582-000K	1
2.5x2x5 (50-125)	4.0 (3.0) 5.5 (4.0)			
3x2.5x5 (65-125)	7.5 (5.5) 10.0 (7.5)			
2x1.5x5 (40-125)	5.5 (4)	112	8428583-000K	1
2.5x2x5 (50-125)	7.5 (5.5)			
3x2.5x5 (65-125)	10.0 (7.5)			

PUMP PARTS KITS

KIT PART NUMBERS

DESIGN ENVELOPE 4300 & 4322

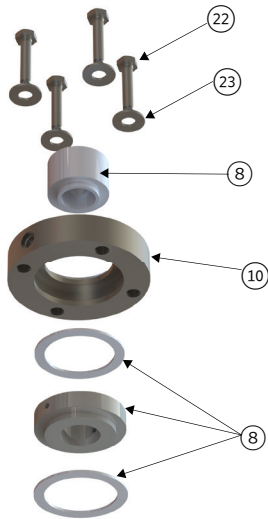
PUMP SIZE	IMPELLER HUB	POWER hp (kW)	FRAME	PART NUMBER	QTY REQ.
1.25x1.25x5 (32-125)	-	0.3(0.25)	71	8428581-000K	1
1.5x1.5x5 (40-125)		0.5(0.37)			
2x2x5 (50-125)		0.75(0.55)			
2.5x2.5x5 (65-125)		1.0(0.75)			
3x3x5 (80-125)		1.5(1.1)			
3x3x5 (80-125)		2.0(1.5)			
1.25x1.25x5 (32-125)	-	1.0 (0.75)	90S	8428581-000K	1
1.5x1.5x5 (40-125)					
2x2x5 (50-125)					
2.5x2.5x5 (65-125)					
3x3x5 (80-125)					
3x3x5 (80-125)		1.5 (1.1)			
3x3x5 (80-125)		2.0 (1.5)			
1.25x1.25x5 (32-125)	-	2.0 (1.5)	90	8428582-000K	1
1.5x1.5x5 (40-125)		3.0(2.2)			
2x2x5 (50-125)		4.0 (3.0)			
2.5x2.5x5 (65-125)		5.5 (4.0)			
3x3x5 (80-125)		7.5 (5.5)			
3x3x5 (80-125)		10.0 (7.5)			
1.25x1.25x5 (32-125)	-	5.5 (4)	112	8428583-000K	1
1.5x1.5x5 (40-125)					
2x2x5 (50-125)					
2.5x2.5x5 (65-125)					
3x3x5 (80-125)					
3x3x5 (80-125)		7.5 (5.5)			
3x3x5 (80-125)		10.0 (7.5)			
2.5x2.5x7.5 (65-190)*	S	15.0 (11.0)	132	8428904-000K	1
		20.0 (14.7)			
		25.0 (18.4)			
2.5x2.5x7.5 (65-190)*	M	30.0 (22.1)	132	8428880-000K	1
3x3x7.5 (80-190)*	S	15.0 (11.0)	132	8428904-000K	1
		20.0 (14.7)			
		25.0 (18.4)			
3x3x7.5 (80-190)*	M	30.0 (22.1)	132	8428880-000K	1
		40.0 (29.4)			
		50.0 (36.8)	160	8428904-000K	1
5x5x7.5 (125-190)*	M	50.0 (36.8)	160	8428904-000K	1
		60.0 (44.1)	200	8428985-000K	1

* 4300 Medium Pump Coupling Kit

PUMP PARTS KITS

MECHANICAL SEAL KIT

DESIGN ENVELOPE 4300, 4322 & 4200H



KIT CONTENTS

ITEM	DESCRIPTION
25	Bushing (not shown)
8	Outside Mechanical Seal
10	Seal Cover
22	Seal Cover Capscrew
23	Seal Cover Capscrew Washer

Manu Code	C-SSC AB ₂	AC-SSC AB ₂
Seal Type	AB ₂	
Rotary	Resin Impregnated Carbon	Antimony Loaded Carbon
Seat	Sintered Silicon Carbide	
O-Rings and Elastomer	Viton	
Legend (Refer App.guide)	A1-2	A1-3

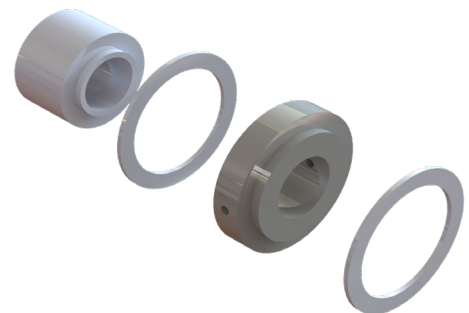
NOTE:

- A. Resin bonded carbon-default selection for Canada, US, India, China, APR and ME.
- B. Antimony Loaded Carbon- default selection for UK & Europe

REPLACEMENT SEAL

DESIGN ENVELOPE 4300 & 4322

PUMP SIZE	PART NUMBER		QTY REQ.
	A1-2	A1-3	
1.25x1.25x5 (32-125)	8975002-324	8975002-325	1
3x3x5 (80-125)	8975002-324	8975002-325	1
2x2x5 (50-125)	8975002-324	8975002-325	1
2.5x2.5x5 (65-125)	8975002-324	8975002-325	1



DESIGN ENVELOPE 4200H

PUMP SIZE	PART NUMBER		QTY REQ.
	A1-2	A1-3	
2x1.5x5 (40-125)	8975002-324	8975002-325	1
2.5x2x5 (50-125)	8975002-324	8975002-325	1
3x2.5x5 (65-125)	8975002-324	8975002-325	1

PUMP PARTS KITS

REPLACEMENT SEAL KIT

KIT PART NUMBERS

DESIGN ENVELOPE 4300 & 4322

PUMP SIZE	PART NUMBER		QTY REQ.
	A1-2	A1-3	
1.25x1.25x5 (32-125)	8975002-324K	8975002-325K	1
3x3x5 (80-125)	8975002-324K	8975002-325K	1
2x2x5 (50-125)	8975002-324K	8975002-325K	1
2.5x2.5x5 (65-125)	8975002-324K	8975002-325K	1

DESIGN ENVELOPE 4200H

PUMP SIZE	PART NUMBER		QTY REQ.
	A1-2	A1-3	
2x1.5x5 (40-125)	8975002-324K	8975002-325K	1
2.5x2x5 (50-125)	8975002-324K	8975002-325K	1
3x2.5x5 (65-125)	8975002-324K	8975002-325K	1

CANADA, US, INDIA, CHINA, APR AND ME & UK EXPORT

APPLICATION GUIDE						
Fluid	<200F			>200F		
	<=2000PPM	>2000PPM	>4000PPM	<=2000PPM	>2000PPM	>4000PPM
Potable Water	A1-2	No potable water for this application				
Non-Potable Water	A1-2	A1-2	NCP	A1-2	A1-2	NCP
Glycol > 30%	A1-2	A1-2	NCP	A1-2	A1-2	NCP
All Other	A1-2	A1-2	NCP	A1-2	A1-2	NCP

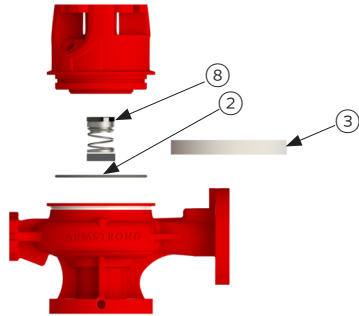
UK & EUROPE

APPLICATION GUIDE						
Fluid	<200F			>200F		
	<=2000PPM	>2000PPM	>4000PPM	<=2000PPM	>2000PPM	>4000PPM
Potable Water	A1-3	No potable water for this application				
Non-Potable Water	A1-3	A1-3	NCP	A1-3	A1-3	NCP
Glycol > 30%	A1-3	A1-3	NCP	A1-3	A1-3	NCP
All Other	A1-3	A1-3	NCP	A1-3	A1-3	NCP

PUMP PARTS KITS

MECHANICAL SEAL KIT

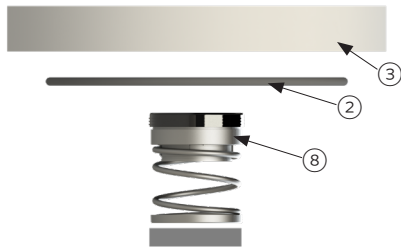
DESIGN ENVELOPE 4380, 4372 & 4280



KIT CONTENTS

ITEM	DESCRIPTION
②	Casing O-ring
⑧	Mechanical Seal Kit
③	V-Clamp Ring

REPLACEMENT SEAL KIT



Manu Code	C-SSC L EPSS 2A	ACSSC O EPSS 2A	SSCSC L EPSS 2A
Seal Type	2A		
Rotary	Resin Impregnated Carbon	Antimony Loaded Carbon	Sintered Silicon Carbide
Seat	Sintered Silicon Carbide		
L-Cups or O-Rings and Elastomer	EPDM (L-Cup)	EPDM (O-Ring)	EPDM (L-Cup)
Legend (Refer App.guide)	L1-A	H3-A	L2-A

KIT CONTENTS

ITEM	DESCRIPTION
②	Casing O-ring
⑧	Mechanical Seal Kit
③	V-Clamp Ring

NOTE:

- A. Resin bonded carbon-default selection for Canada, US, India, China, APR and ME.
- B. Antimony Loaded Carbon- default selection for UK & Europe

DESIGN ENVELOPE 4380, 4372

PUMP SIZE	PART NUMBER			QTY REQ.
	L1-A	H3-A	L2-A	
1x1x3 (25-80)	89975000-900K	89975000-904K	—	1
1.5x1.5x3 (40-80)	89975000-900K	89975000-904K	—	1
1.25x1.25x5 (32-125)	89975000-920K	89975000-924K	—	1
1.5x1.5x5 (40-125)	89975000-920K	89975000-924K	—	1
2x2x5 (50-125)	89975000-920K	89975000-924K	—	1
2.5x2.5x5 (65-125)	89975000-920K	89975000-924K	—	1
3x3x5 (80-125)	89975000-920K	89975000-924K	—	1

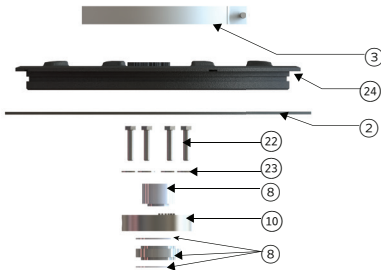
DESIGN ENVELOPE 4280

PUMP SIZE	PART NUMBER			QTY REQ.
	L1-A	H3-A	L2-A	
1.5x1.25x3 (32-80)	89975000-900K	89975000-904K	—	1
2x1.5x5 (40-125)	89975000-920K	89975000-924K	—	1
2.5x2x5 (50-125)	89975000-920K	89975000-924K	—	1
3x2.5x5 (65-125)	89975000-920K	89975000-924K	—	1

PUMP PARTS KITS

MECHANICAL SEAL AND BLANKING PLATE REPLACEMENT KIT

DESIGN ENVELOPE 4322



Manu Code	C-SSC AB2	AC-SSC AB2
Seal Type	AB2	
Rotary	Resin Impregnated Carbon	Antimony Loaded Carbon
Seat	Sintered Silicon Carbide	
O-Rings and Elastomer	Viton	
Legend (Refer App.guide)	A1-2	A1-3

KIT CONTENTS

ITEM	DESCRIPTION
②④	Blanking Plate
②	Casing O-ring
⑧	Outside Mechanical Seal
⑩	Seal Cover
②②	Seal Cover Capscrew
②③	Seal Cover Capscrew Washer
③	V-Clamp Ring

KIT PART NUMBERS

PUMP SIZE	PART NUMBER		QTY REQ.
	A1-2	A1-3	
1.25x1.25x5 (32-125)	880000-008K	880000-009K	1
3x3x5 (80-125)	880000-008K	880000-009K	1
2x2x5 (50-125)	880000-008K	880000-009K	1
2.5x2.5x5 (65-125)	880000-008K	880000-009K	1
3x3x5 (80-125)	880000-008K	880000-009K	1

NOTE:

- A. Resin bonded carbon-default selection for Canada, US, India, China, APR and ME.
- B. Antimony Loaded Carbon- default selection for UK & Europe

CANADA, US, INDIA, CHINA, APR AND ME & UK EXPORT

APPLICATION GUIDE

Fluid	<200F			>200F		
	<=2000PPM	>2000PPM	>4000PPM	<=2000PPM	>2000PPM	>4000PPM
Potable Water	A1-2	No potable water for this application				
Non-Potable Water	A1-2	A1-2	NCP	A1-3	A1-2	NCP
Glycol > 30%	A1-2	A1-2	NCP	A1-2	A1-2	NCP
All Other	A1-2	A1-2	NCP	A1-3	A1-2	NCP

UK & EUROPE

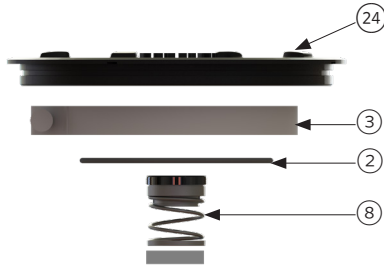
APPLICATION GUIDE

Fluid	<200F			>200F		
	<=2000PPM	>2000PPM	>4000PPM	<=2000PPM	>2000PPM	>4000PPM
Potable Water	A1-3	No potable water for this application				
Non-Potable Water	A1-3	A1-3	NCP	A1-3	A1-3	NCP
Glycol > 30%	A1-3	A1-3	NCP	A1-3	A1-3	NCP
All Other	A1-3	A1-3	NCP	A1-3	A1-3	NCP

PUMP PARTS KITS

MECHANICAL SEAL AND BLANKING PLATE REPLACEMENT KIT

DESIGN ENVELOPE 4372



Manu Code	C-SSC L EPSS 2A	ACSSC O EPSS 2A	SSCSSC L EPSS 2A
Seal Type	2A		
Rotary	Resin Impregnated Carbon	Antimony Loaded Carbon	Sintered Silicon Carbide
Seat	Sintered Silicon Carbide		
L-Cups or O-Rings and Elastomer	EPDM (L-Cup)	EPDM (O-Ring)	EPDM (L-Cup)
Legend (Refer App.guide)	L1-A	H3-A	L2-A

KIT CONTENTS

ITEM	DESCRIPTION
24	Blanking Plate
2	Casing O-ring
8	Mechanical Seal Kit
C	V-Clamp Ring

NOTE:

- A. Resin bonded carbon-default selection for Canada, US, India, China, APR and ME.
- B. Antimony Loaded Carbon- default selection for UK & Europe

KIT PART NUMBERS

PUMP SIZE	PART NUMBER			QTY REQ.
	L1-A	H3-A	L2-A	
1x1x3 (25-80)	880000-004K	880000-005K	—	1
1.5x1.5x3 (40-80)	880000-004K	880000-005K	—	1
1.25x1.25x5 (32-125)	880000-006K	880000-007K	—	1
1.5x1.5x5 (40-125)	880000-006K	880000-007K	—	1
2x2x5 (50-125)	880000-006K	880000-007K	—	1
2.5x2.5x5 (65-125)	880000-006K	880000-007K	—	1
3x3x5 (80-125)	880000-006K	880000-007K	—	1

CANADA, US, INDIA, CHINA, APR AND ME

APPLICATION GUIDE						
Fluid	<200F			>200F		
	<=2000PPM	>2000PPM	>4000PPM	<=2000PPM	>2000PPM	>4000PPM
Potable Water	L1-A	No potable water for this application				
Non-Potable Water	L1-A	L2-A	NCP	H3-A	L2-A	NCP
Glycol > 30%	L2-A	NCP	NCP	L2-A	L2-A	NCP
All Other	L1-A	L2-A	NCP	H3-A	L2-A	NCP

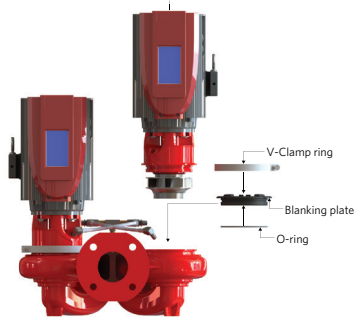
UK AND EUROPE

APPLICATION GUIDE						
Fluid	<200F			>200F		
	<=2000PPM	>2000PPM	>4000PPM	<=2000PPM	>2000PPM	>4000PPM
Potable Water	L1-A	No potable water for this application				
Non-Potable Water	H3-A	L2-A	NCP	H3-A	L2-A	NCP
Glycol > 30%	L2-A	L2-A	NCP	L2-A	L2-A	NCP
All Other	H3-A	L2-A	NCP	H3-A	L2-A	NCP

PUMP PARTS KITS

BLANKING PLATE KIT

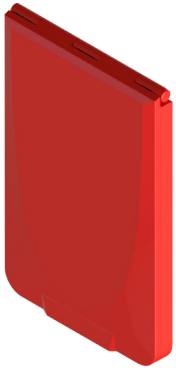
DESIGN ENVELOPE 4322 & 4372



KIT PART NUMBERS

PUMP SIZE	PART NUMBER	QTY REQ.
1x1x3 (25-80)	880000-002K	1
1.5x1.5x3 (40-80)	880000-002K	1
1.25x1.25x5 (32-125)	880000-001K	1
1.5x1.5x5 (40-125)	880000-001K	1
2x2x5 (50-125)	880000-001K	1
2.5x2.5x5 (65-125)	880000-001K	1
3x3x5 (80-125)	880000-001K	1

TOUCH SCREEN COVER REPLACEMENT KIT



DESIGN ENVELOPE 4300, 4380, 4322, 4372, 4200H & 4280

FRAME SIZE	PART NUMBER	QTY REQUIRED
DEPM (iECM) & DEPM2 - 71/90S	880103-000	1
DEPM (iECM) & DEPM2 - 90	880103-000	1
DEPM (iECM) & DEPM2 - 112	880103-000	1

DESIGN ENVELOPE 4300, 4380



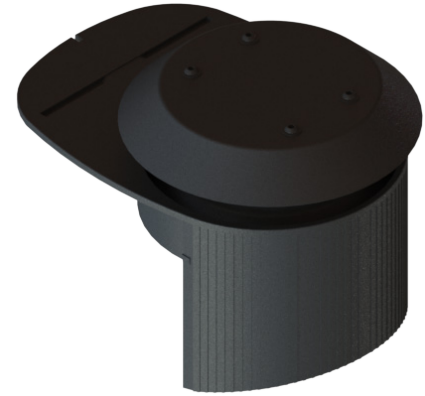
FRAME SIZE	PART NUMBER	KIT INCLUDES
2.5x2.5x7.5 (65-190)	8429041-106K	Screen Cover
3x3x7.5 (80-190)	8429041-106K	Frame, Screen Cover Door,
5x5x7.5 (125-190)	8429041-106K	Pin, Tape & Bezel

PUMP PARTS KITS

WEATHER SHIELD REPLACEMENT KIT

DESIGN ENVELOPE 4300, 4380, 4322, 4372

FRAME SIZE	PART NUMBER	QTY REQUIRED
DEPM2 – 90	880103-004	1
DEPM2 – 112	880103-005	1
DEPM (iECM) – 71	880103-001	1
DEPM (iECM) – 90/90S	880103-002	1
DEPM (iECM) – 112	880103-003	1



DESIGN ENVELOPE 4300, 4380

MOTOR POWER (hp/kW - VOLTAGE (POLE-P))	MOTOR FRAME & POWER in (kW)	IVS DRIVE SIZE	PART NUMBER	KIT INCLUDES
15/11 – 230, 460, 575V	132 (11–18.5kW)	B1	8428954-000K	Awning shield, Screws & Washer
20/15 – 460, 575V				
25/18.5 – 460, 575V				
20/15 – 230V	132 (22–37kW)	B2	8428964-000K	
30/22 – 460, 575V				
40/30 – 460, 575V				
25/18.5 – 230V	160	C1	8428964-000K	
30/22 – 230V				
40/30 – 230V				
50/37 – 460, 575V				
25/18.5 – 460, 575V-4P	200	B1	8429117-000K	
25/18.5 – 230V-4P		B2		
30/22 – 230V-4P				
40/30 – 230V-4P				
50/37 – 460, 575V-4P				
50/37 – 230V- 4P				
60/45 – 230V-4P				
60/45 – 460, 575V	C1	8429117-000K		
75/55 – 460, 575V				



PUMP PARTS KITS

DESIGN ENVELOPE PUMP CONTROLLER (DEPC) PARTS KIT

DESIGN ENVELOPE 4300, 4380, 4322, 4372, 4200H & 4280

FRAME SIZE	PART NUMBER	DESCRIPTION	QTY REQUIRED	DESCRIPTION	
DEPM2-90	880100-015	Kit DEPC ctrl Lcard 90 DEPM2	1	Indoor/Outdoor	
DEPM2-112	880100-016	Kit DEPC ctrl Lcard 112 DEPM2	1	Indoor/Outdoor	
DEPM (iECM)-71	880100-011	Assy-DEPC ctrl Lcard IEC71-ID	1	Indoor	
	880100-012	Assy-DEPC ctrl Lcard IEC71-OD	1	Outdoor	
DEPM (iECM)-90/90S	880100-005	Assy-DEPC ctrl Lcard IEC90/90S	1	Indoor/Outdoor	
DEPM (iECM)-112	880100-002	Assy-DEPC ctrl Lcard IEC112	1	Indoor/Outdoor	
IVS 102	880100-006	Sub-assy DEPC Dcard w\firmware	1	Indoor/Outdoor	

NOTE:

SERIAL NUMBER TO BE PROVIDED TO LOAD DE MAP CORRESPONDING TO THE PUMP SERIAL# INTO DEPC CARD.

DESIGN ENVELOPE STRAIN RELIEF PART

FRAME SIZE	PART NUMBER	DESCRIPTION	QTY REQUIRED
DEPM (iECM) - 71	8428724-G12	iECM 71 strain relief 12"lng	1
DEPM2 - 90&112	8428724-G12	iECM 71 strain relief 12"lng	1

FLUSH LINE KITS

DESIGN ENVELOPE STANDARD FLUSH LINE SPARE/REPLACEMENT PARTS KIT

4200H



4300, 4322, 4380 & 4372



KIT PART NUMBER	KIT QTY	FRAME SIZE	SERIES	PUMP SIZE	DESCRIPTION	QTY
880000-010K	1	71/90/112	4200H	2x1.5x5 (40-125) 2.5x2x5 (50-125) 3x2.5x5 (65-125)	Elbow-ST 90° ss 316 ¼NPT	1
					Adapter-s ss 0.5" JICM-0.25"NPTM	
					Hose-braid assy s L=16" w/304	
880000-011K	1	71/90/112	4300	1.25x1.25x5 (32-125) 2x2x5 (50-125) 2.5x2.5x5 (65-125) 3x3x5 (80-125) 1.5x1.5x5 (40-125)	Nipple ss304 ¼NPTx2.500"	1
					Tee-90° ss304 ¼NPT	
					Vent-air ss316 ¼NPT	
					Adapter-s ss 0.5" JICM-0.25"NPTM	
					Hose-braid assy s L=16" w/304	
880000-013K	1	71/90/112	4380	1.5x1.5x3 (40-80)	Nipple ss304 ¼NPTx2.500"	1
					Tee-90° ss304 ¼NPT	
					Pipe plug ¼NPT SST 3000#	
					Adapter-s ss 0.5" JICM-0.25"NPTM	
880000-014K	1	71/90/112	4380	1.25x1.25x5 (32-125) 1.5x1.5x5 (40-125) 2x2x5 (50-125)	Nipple ss304 ¼NPTx2.500"	1
					Elbow-90° ss304 ¼"NPT	
					Adapter-s ss 0.5" JICM-0.25"NPTM	
					Hose-braid assy s L=16" w/304	
880000-015K	1	71/90/112	4380	2.5x2.5x5 (65-125) 3x3x5 (80-125)	Elbow-ST 90° ss316 ¼NPT	1
					Adapter-s ss 0.5" JICM-0.25"NPTM	
					Hose-braid assy s L=19" w/304	
880000-016K	1	71/90/112	4322	1.25x1.25x5 (32-125) 1.5x1.5x5 (40-125) 2x2x5 (50-125) 3x3x5 (80-125)	Nipple ss304 ¼NPTx2.500"	1
					Cross-90° SST ¼NPT	
					Vent-air ss316 ¼NPT	
					Nipple ss304 ¼NPTx1.500"	
					Valve-ball ang 304 ¼x¼NPTF	
					Adapter-s ss 0.5" JICM-0.25"NPTM	
					Hose-braid assy s L=19" w/304	
880000-017K	1	71/90/112	4372	1.5x1.5x3 (40-80)	Adapter SST ¼FNPT-⅜MNPT	1
					Nipple ss304 ¼NPTx2.500"	
					Tee-90° ss304 ¼NPT	
					Nipple ss304 ¼NPTx1.500"	
					Valve-ball ang 304 ¼x¼NPTF	
					Adapter-s ss 0.5" JICM-0.25"NPTM	
					Hose-braid assy s L=9" w/304	
					Elbow-ST 90° ss316 ¼NPT	

FLUSH LINE KITS

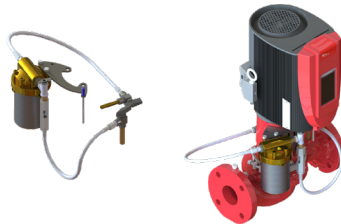
KIT PART NUMBER	KIT QTY	FRAME SIZE	SERIES	PUMP SIZE	DESCRIPTION	QTY
880000-018K	1	71/90/112	4372	1.25x1.25x5 (32-125) 1.5x1.5x5 (40-125) 2x2x5 (50-125) 2.5x2.5x5 (65-125) 3x3x5 (80-125)	Nipple ss304 ¼NPTx2.500"	1
					Tee-90° ss304 ¼NPT	
					Nipple ss304 ¼NPTx1.500"	
					Valve-ball ang 304 ¼x¼NPTF	
					Adapter-s ss 0.5" JICM-0.25"NPTM	
					Hose-braid assy s L=9" w/304	
					Elbow-ST 90° ss316 ¼NPT	

FLUSH LINE - SEDIMENT FILTER W/ SIGHT FLOW INDICATOR PARTS KIT

4200H



4300 & 4322



4380/4372 (SUPPLIED LOOSE)



KIT PART NUMBER	KIT QTY	FRAME SIZE	SERIES	PUMP SIZE	DESCRIPTION	QTY
880000-019K	1	71	4200H	2x1.5x5 (40-125) 2.5x2x5 (50-125) 3x2.5x5 (65-125)	Nipple ss304 ¼NPTx2.500"	1
					Valve-ball ang 304 ¼x¼NPTF	1
					Adapter-s ss 0.5" JICM-0.25"NPTM	1
					Hose-braid assy s L=20" w/304	1
					Flow ind-sight ¼NPT SST	1
					Nipple ss304 ¼NPTx1.500"	1
880000-020K	1	90	4200H	2x1.5x5 (40-125) 2.5x2x5 (50-125) 3x2.5x5 (65-125)	Elbow-90°ss304 ¼" NPT	1
					Nipple ss304 ¼NPTx1.500"	1
					Bushing-hex ss304 ½x¼NPT	1
					Filter HSG ¼" NPT 300# SST	1
					Filter-cartridge 275F	1
					Bracket-filter 5" ES IEC71/90S/112	1
880000-021K	1	112	4200H	2x1.5x5 (40-125) 2.5x2x5 (50-125) 3x2.5x5 (65-125)	Lockwasher STL ¼"	2
					Capscw STL ¼-20x0.625" Lg gr2	2
					Bushing-hex ss304 ½x¼NPT	1
					Hose-braid assy s L=19" w/304	1
					Adapter-s ss 0.5" JICM-0.25"NPTM	1
					Valve-ball ang 304 ⅜x⅜NPTF	1
Nipple ss304 ⅜NPTx2.500"	1					

NOTE:

A. 4380/4372 Parts/Kit supplied Loose.

FLUSH LINE KITS

KIT PART NUMBER	KIT QTY	FRAME SIZE	SERIES	PUMP SIZE	DESCRIPTION	QTY
880000-022K	1	71	4300		Nipple ss304 ¼NPTx2.500"	1
					Valve-ball ang 304 ¼x¼NPTF	1
					Adapter-s ss 0.5" JICM-0.25"NPTM	1
					Hose-braid assy s L=20" W/304	1
					Flow ind-sight ¼NPT SST	1
					Nipple ss304 ¼NPTx1.500"	1
					Tee-90° ss304 ¼NPT	1
880000-023K	1	90	4300	1.25x1.25x5 (32-125) 1.5x1.5x5 (40-125) 2x2x5 (50-125) 2.5x2.5x5 (65-125) 3x3x5 (80-125)	Vent-air ss316 ¼NPT	1
					Nipple ss304 ¼NPTx1.500"	1
					Bushing-hex ss304 ½x¼NPT	1
					Filter HSG ¼"NPT 300# SST	1
					Filter-cartridge 275F	1
					Bracket-filter STL IEC71/90/112	1
					Lockwasher STL ¼"	2
					Capscw STL ¼-20x0.625"Lg gr2	2
					Bushing-hex ss304 ½x¼NPT	1
					Hose-braid assy s L=19" W/304	1
880000-024K	1	112	4300		Adapter-s ss 0.5" JICM-0.25"NPTM	1
					Valve-ball ang 304 ½x¼NPTF	1
					Nipple ss304 ¼NPTx2.500"	1
					Filter HSG ¼"NPT 300# SST	1
					Filter-cartridge 275F	1
880000-031K	1	71/90/112	4380/ 4372	1.5x1.5x3 (40-80) 1.25x1.25x5 (32-125) 1.5x1.5x5 (40-125) 2x2x5 (50-125) 2.5x2.5x5 (65-125) 3x3x5 (80-125)	Filter HSG ¼"NPT 300# SST	1
					Filter-cartridge 275F	1
					Flow ind-sight ¼NPT SST	1
					Nipple ss304 ¼NPTx2.500"	1
880000-034K	1	71	4322		Nipple ss304 ¼NPTx2.500"	1
					Tee-90° ss304 ¼NPT	1
					Nipple ss304 ¼NPTx1.500"	1
					Valve-ball STR 304 ¼x¼NPTF	1
					Adapter-s ss 0.5" JICM-0.25"NPTM	1
					Hose-braid assy s L=20" W/304	1
					Flow ind-sight ¼NPT SST	1
880000-035K	1	90	4322	1.25x1.25x5 (32-125) 1.5x1.5x5 (40-125) 2x2x5 (50-125) 2.5x2.5x5 (65-125) 3x3x5 (80-125)	Nipple-close ss304 ¼NPT	1
					Tee-90° ss304 ¼NPT	1
					Vent-air ss316 ¼NPT	1
					Nipple-close ss304 ¼NPT	1
					Bushing-hex ss304 ½x¼NPT	1
					Filter HSG ¼"NPT 300# SST	1
					Filter-cartridge 275F	1
					Bracket-filter STL IEC71/90/112	1
					Lockwasher STL ¼"	2
					Capscw STL ¼-20x0.625"Lg gr2	2
880000-036K	1	112	4322		Bushing-hex ss304 ½x¼NPT	1
					Hose-braid assy s L=19" W/304	1
					Adapter-s ss 0.5" JICM-0.25"NPTM	1
					Valve-ball ang 304 ½x¼NPTF	1
					Nipple ss304 ¼NPTx2.500"	1
					Flow ind-sight ¼NPT SST	1
					Nipple-close ss304 ¼NPT	1

NOTE:

A. 4380/4372 Parts/Kit supplied Loose.

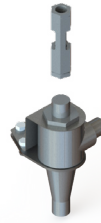
FLUSH LINE KITS

DESIGN ENVELOPE FLUSH LINE - CYCLONE SEPARATOR / SIGHT FLOW INDICATOR (250 PSI) PARTS KIT-NYLON

4300 & 4322



4380/4372 (SUPPLIED LOOSE)



KIT PART NUMBER	KIT QTY	FRAME SIZE	SERIES	PUMP SIZE	DESCRIPTION	QTY
880000-025K	1	71	4300		Nipple ss304 1/4"NPT x 2.500"	1
					Valve-ball ang 304 1/4x1/4NPTF	1
					Adapter-s ss 0.5" JICM-0.25"NPTM	1
					Hose-braid assy s L=22" w/304	1
					Bushing-hex ss304 1/2x1/4NPT	1
					Cplg ss304 1/2"NPT	1
					Separator nylon 1/2"NPT 24ofmax	1
					Bracket-separator STL upper	1
					Bracket-separator STL lower	1
					Bracket-filter STL IEC71/90/112	1
880000-026K	1	90	4300	1.5x1.5x5 (40-125) 2x2x5 (50-125) 2.5x2.5x5 (65-125) 3x3x5 (80-125)	Lockwasher STL 1/4"	3
					Capscw STL 1/4-20x0.625"Lg gr2	3
					Nut-hex STL 1/4-20unc gr2	3
					Elbow-90° ss304 1/2"NPT	1
					Bushing-hex ss304 1/2x1/4NPT	1
					Hose-braid assy s L=20" w/304	1
					Adapter-s ss 0.5" JICM-0.25"NPTM	1
					Valve-ball ang 304 1/4x1/4NPTF	1
					Nipple ss304 1/4"NPT x 2.500"	1
					Cplg ss304 1/2"NPT	1
880000-027K	1	112	4300		Bushing-hex ss304 1/2x1/4NPT	1
					Nipple ss304 1/4"NPT x 1.500"	1
					Flow ind-sight 1/4"NPT sst	1
					Nipple ss304 1/4"NPT x 1.500"	1
					Tee-90° ss304 1/4"NPT	1
					Vent-air ss316 1/4"NPT	1
					Hose-braid assy s L=19" w/304	1
					Adapter-s ss 0.5" JICM-0.25"NPTM	1
					Valve-ball ang 304 3/8 x 3/8 NPTF	1
					Nipple ss304 1/8 NPT x 2.500"	1

NOTE:

A. 4380/4372 Parts/Kit supplied Loose.

FLUSH LINE KITS

KIT PART NUMBER	KIT QTY	FRAME SIZE	SERIES	PUMP SIZE	DESCRIPTION	QTY
880000-032K	1	71/90/112	4380/ 4372	1.5x1.5x3 (40-80)	Separator nylon 1/2NPT 240fmax	1
				1.25x1.25x5 (32-125)		
880000-037K	1	71	4322	1.5x1.5x5 (40-125)	Flow ind-sight 1/4NPT sst	1
				2x2x5 (50-125)		
880000-038K	1	90	4322	2.5x2.5x5 (65-125)	Nipple ss304 1/4NPT x 2.500"	1
				3x3x5 (80-125)		
880000-039K	1	112	4322		Tee-90° ss304 1/4NPT	1

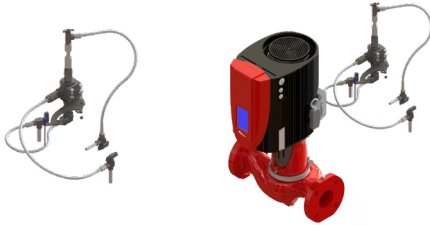
NOTE:

A. 4380/4372 Parts/Kit supplied Loose.

FLUSH LINE KITS

DESIGN ENVELOPE FLUSH LINE - CYCLONE SEPARATOR / SIGHT FLOW INDICATOR(2000 PSI) PARTS KIT-STAINLESS STEEL

4300 & 4322



4380/4372 (SUPPLIED LOOSE)



KIT PART NUMBER	KIT QTY	FRAME SIZE	SERIES	PUMP SIZE	DESCRIPTION	QTY					
880000-028K	1	71	4300		Nipple ss304 ¼NPTx2.500"	1					
					Valve-ball ang 304 ¼x¼NPTF	1					
					Adapter-s ss 0.5" JICM-0.25"NPTM	1					
					Hose-braid assy s L=22" w/304	1					
					Bushing-hex ss304 ½x¼NPT	1					
					Cplg ss304 ½"NPT	1					
					Separator 316ss ½NPT 500fmax	1					
					Bracket-separator STL upper	1					
					Bracket SST separator upper	1					
					Tie-locking SST for separator	1					
					Bracket-filter STL IEC71/90/112	1					
					Lockwasher STL ¼"	3					
880000-029K	1	90	4300	1.5x1.5x5 (40-125) 2x2x5 (50-125) 2.5x2.5x5 (65-125) 3x3x5 (80-125)	Capscw STL ¼-20x0.625" Lg gr2	3					
					Nut-hex STL ¼-20unc gr2	3					
					Elbow-90° ss304 ½NPT	1					
					Bushing-hex ss304 ½x¼NPT	1					
					Hose-braid assy s L=20" w/304	1					
					Adapter-s ss 0.5" JICM-0.25"NPTM	1					
					Valve-ball ang 304 ¼x¼NPTF	1					
					Nipple ss304 ¼NPTx2.500"	1					
					Cplg ss304 ½"NPT	1					
					880000-030K	1	112	4300		Bushing-hex ss304 ½x¼NPT	1
										Nipple ss304 ¼NPTx1.500"	1
										Flow ind-sight ¼NPT SST	1
Nipple ss304 ¼NPTx1.500"	1										
Tee-90° ss304 ¼NPT	1										
Vent-air ss316 ¼NPT	1										
Hose-braid assy s L=19" w/304	1										
Adapter-s ss 0.5" JICM-0.25"NPTM	1										
Valve-ball ang 304 ⅜x⅜ NPTF	1										
Nipple ss304 ⅜ NPTx2.500"	1										

NOTE:

A. 4380/4372 Parts/Kit supplied Loose.

FLUSH LINE KITS

KIT PART NUMBER	KIT QTY	FRAME SIZE	SERIES	PUMP SIZE	DESCRIPTION	QTY
880000-033K	1	71/90/112	4380/ 4372	1.5x1.5x3 (40-80)	Separator 316SS 1/2NPT 500fmax	1
				1.25x1.25x5 (32-125)		Flow ind-sight 1/4NPT SST
880000-040K	1	71	4322	1.5x1.5x5 (40-125) 2x2x5 (50-125) 2.5x2.5x5 (65-125) 3x3x5 (80-125)	Nipple SS304 1/4NPTx2.500"	1
					Tee-90° SS304 1/4NPT	1
					Nipple SS304 1/4NPTx1.500"	1
					Valve-ball str 304 1/4x1/4NPTF	1
					Adapter-s SS 0.5" JICM-0.25"NPTM	1
					Hose-braid assy s L=12" w/304	1
					Bushing-hex SS304 1/2x1/4NPT	1
					Cplg SS304 1/2"NPT	1
					Separator 316SS 1/2NPT 500fmax	1
					Bracket-separator STL upper	1
					Bracket SST separator upper	1
					Tie-locking SST for separator	1
880000-041K	1	90	4322	1.25x1.25x5 (32-125) 1.5x1.5x5 (40-125) 2x2x5 (50-125) 2.5x2.5x5 (65-125) 3x3x5 (80-125)	Bracket-filter STL IEC71	1
					Lockwasher STL 1/4"	3
					Capscw STL 1/4-20x0.625"Lg gr2	3
					Nut-hex STL 1/4-20unc gr2	3
					Elbow-90° SS304 1/2NPT	1
					Bushing-hex SS304 1/2x1/4NPT	1
					Hose-braid assy s L=16" w/304	1
					Adapter-s SS 0.5" JICM-0.25"NPTM	1
					Valve-ball ang 304 1/4x1/4NPTF	1
					Nipple SS304 1/4NPTx1.500"	1
					Tee-90° SS304 1/4NPT	1
					880000-042K	1
Cplg SS304 1/2"NPT	1					
Bushing-hex SS304 1/2x1/4NPT	1					
Nipple-close SS304 1/4NPT	1					
Flow ind-sight 1/4NPT SST	1					
Nipple-close SS304 1/4NPT	1					
Tee-90° SS304 1/4NPT	1					
Vent-air SS316 1/4NPT	1					
Hose-braid assy s L=19" w/304	1					
Adapter-s SS 0.5" JICM-0.25"NPTM	1					
Valve-ball ang 304 1/8x1/8 NPTF	1					
Nipple SS304 1/8 NPTx2.500"	1					

NOTE:

A. 4380/4372 Parts/Kit supplied Loose.

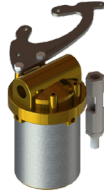
FLUSH LINE KITS

DESIGN ENVELOPE 50 MICRON SEDIMENT FILTER REPLACEMENT PARTS KIT

4200H



4300 & 4322



KIT PART NUMBER	KIT QTY	FRAME SIZE	SERIES	PUMP SIZE	DESCRIPTION	QTY
880000-043K	1	71	4200H	2x1.5x5 (40-125) 2.5x2x5 (50-125) 3x2.5x5 (65-125)	Filter hsg ¼" NPT 300# SST	1
					Filter-cartridge 275F	1
880000-044K	1	90			Bracket-filter 5" ES IEC71/90S/90/112	1
					Lockwasher STL ¼"	2
880000-045K	1	112			Capscw STL ¼-20x0.625" Lg gr2	2
					Flow ind-sight ¼NPT SST	1
880000-046K	1	71	4300/ 4322	1.25x1.25x5 (32-125) 1.5x1.5x5 (40-125) 2x2x5 (50-125) 2.5x2.5x5 (65-125) 3x3x5 (80-125)	Filter hsg ¼" NPT 300# sst	1
					Filter-cartridge 275F	1
880000-047K	1	90			Bracket-filter STL IEC71/90/112	1
					Lockwasher STL ¼"	2
880000-048K	1	112			Capscw stl ¼-20x0.625" Lg gr2	2
					Flow ind-sight ¼NPT SST	1

DESIGN ENVELOPE CYCLONE SEPARATOR REPLACEMENT PARTS KIT-NYLON

4300 & 4322



KIT PART NUMBER	KIT QTY	FRAME SIZE	SERIES	PUMP SIZE	DESCRIPTION	QTY
880000-049K	1	71/90/112	4300/ 4322	1.5x1.5x5 (40-125) 2x2x5 (50-125) 2.5x2.5x5 (65-125) 3x3x5 (80-125)	Separator nylon ½NPT 24ofmax	1
					Bracket-separator STL upper	1
					Bracket-separator STL lower	1
					Lockwasher STL ¼"	3
					Capscw STL ¼-20x0.625" Lg gr2	3
					Nut-hex STL ¼-20unc gr2	3
					Flow ind-sight ¼NPT SST	1
					Label	1
					Box	1

FLUSH LINE KITS

DESIGN ENVELOPE CYCLONE SEPARATOR REPLACEMENT PARTS KIT-STAINLES STEEL

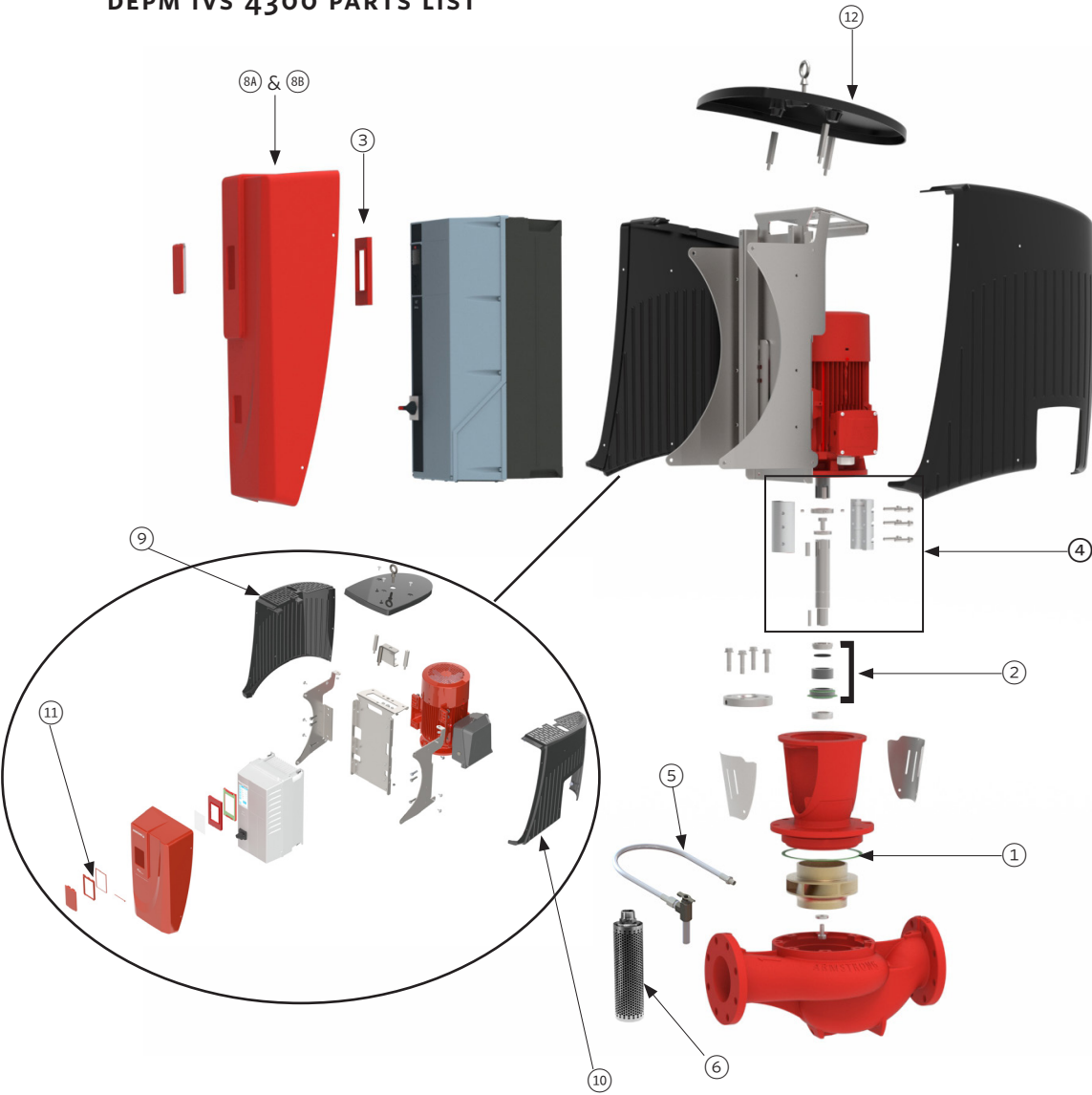
4300 & 4322



KIT PART NUMBER	KIT QTY	FRAME SIZE	SERIES	PUMP SIZE	DESCRIPTION	QTY
880000-050K	1	71/90/112	4300/ 4322	1.5x1.5x5 (40-125) 2x2x5 (50-125) 2.5x2.5x5 (65-125) 3x3x5 (80-125)	Separator 316SS 1/2NPT 500fmax	1
					Bracket-separator STL upper	1
					Bracket SST separator upper	1
					Tie-locking SST for separator	1
					Lockwasher STL 1/4"	3
					Capscw STL 1/4-20x0.625"Lg gr2	3
					Nut-hex STL 1/4-20unc gr2	3
					Flow ind-sight 1/4NPT SST	1
					Label	1
					Box	1

PUMP PARTS KITS

DEPM IVS 4300 PARTS LIST



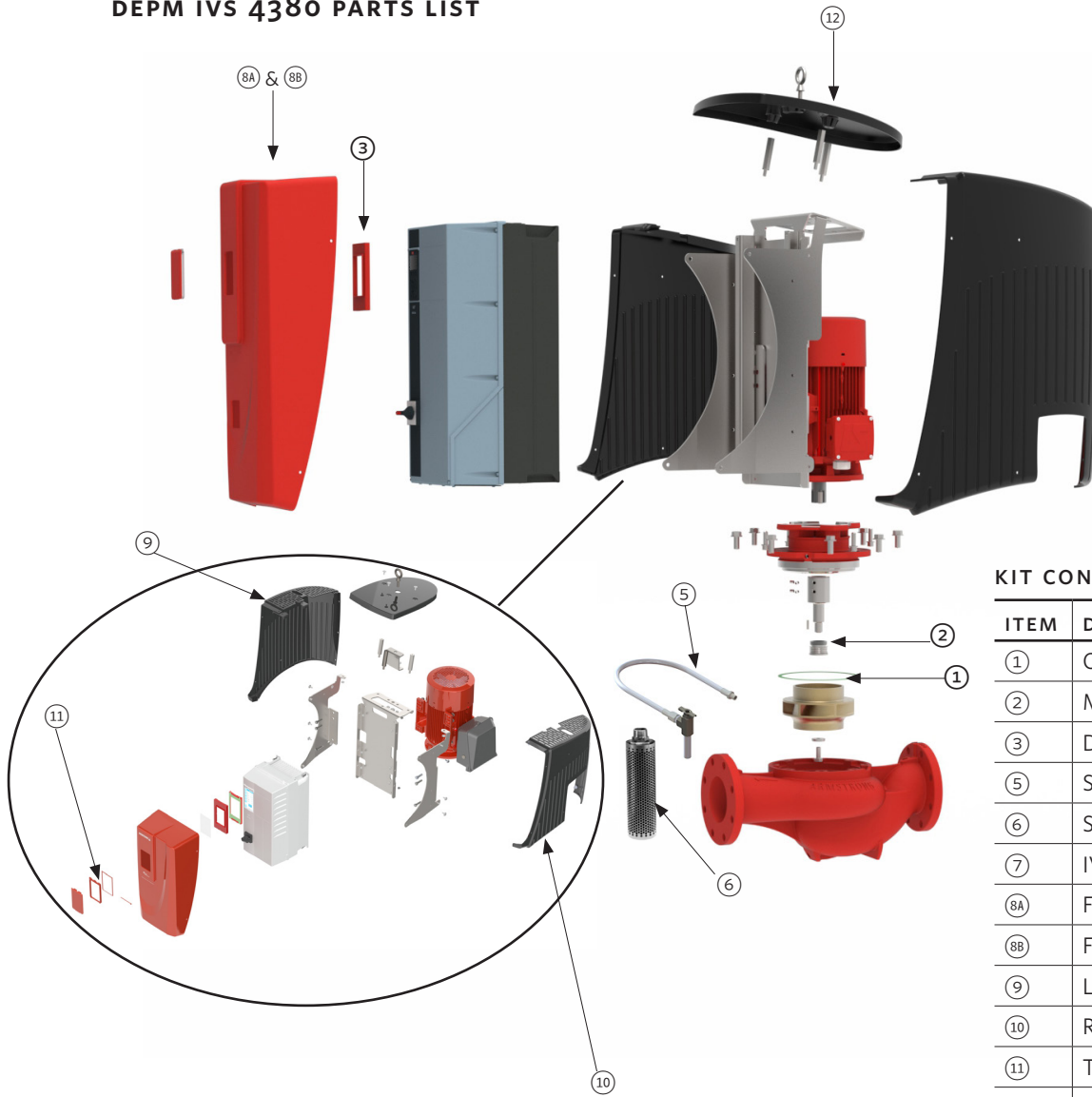
KIT CONTENTS

ITEM	DESCRIPTION
①	Casing gasket
②	Mechanical seal
③	DEPC
④	Pump split coupling parts kits
⑤	STD flush braided hose
⑥	Spare filter
⑦	IVS102 DEPC screen replacement kit
⑧A	Front shroud w/o fused disconnect

ITEM	DESCRIPTION
⑧B	Front shroud with fused disconnect
⑨	Left shroud parts kit
⑩	Right shroud parts kit
⑪	Touchscreen / display cover assembly
⑫	Weather shield replacement kit

PUMP PARTS KITS

DEPM IVS 4380 PARTS LIST



KIT CONTENTS

ITEM	DESCRIPTION
①	Casing gasket
②	Mechanical seal
③	DEPC
⑤	STD flush braided hose
⑥	Spare filter
⑦	IVS102 DEPC screen replacement kit
⑧A	Front shroud w/o fused disconnect
⑧B	Front shroud with fused disconnect
⑨	Left shroud parts kit
⑩	Right shroud parts kit
⑪	Touchscreen / display cover assembly
⑫	Weather shield replacement kit

4300/4380 DEPM IVS PUMP CASING GASKET



KIT CONTENTS

ITEM	DESCRIPTION
①	Casing Gasket

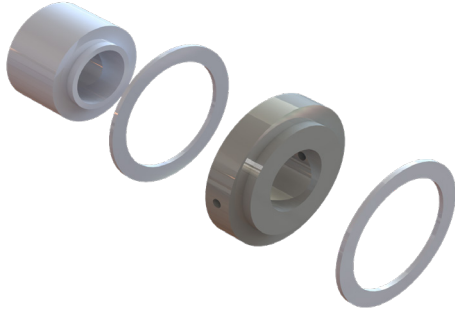
KIT PART NUMBERS

PUMP SIZE	PART NUMBER	QTY REQ.
3x3x6B (80-150B)	8426401-002	1
4x4x6C (100-150C)	8426401-002	1
5x5x6 (125-150)	8426401-002	1

PUMP SIZE	PART NUMBER	QTY REQ.
2.5x2.5x7.5 (65-190)	8426401-003	1
3x3x7.5 (80-190)	8426401-003	1
5x5x7.5 (125-190)	8426401-003	1

PUMP PARTS KITS

4300 DEPM IVS PUMP MECHANICAL SEAL (US, CA, LA, INDIA, CHINA, APR & MIDDLE EAST)



Manu Code	C-SSC AB ₂	AC-SSC AB ₂
Seal Type	AB ₂	
Rotary	Resin Impregnated Carbon	Antimony Loaded Carbon
Seat	Sintered Silicon Carbide	
O-Rings and Elastomer	Viton	
Legend (Refer App.guide)	A1-2	A1-3

NOTE:

- A. Resin bonded carbon-default selection for Canada, US, India, China, APR and ME.
- B. Antimony Loaded Carbon- default selection for UK & Europe

PUMP SIZE	IMPELLER HUB	POWER RATING hp/kW	FRAME	PART NUMBER		QTY REQ.
				A1-2	A1-3	
3x3x6B (80-150B)	S	15/11	132	8975002-304	8975002-305	1
		20/15				
		25/18.5				
3x3x6B (80-150B)	M	30/22	132	8975002-334	8975002-335	1
		40/30				
4x4x6C (100-150C)	S	15/11	132	8975002-304	8975002-305	1
		20/15				
		25/18.5				
4x4x6C (100-150C)	M	30/22	132	8975002-334	8975002-335	1
		40/30				
5x5x6 (125-150)	S	15/11	132	8975002-304	8975002-305	1
		20/15				
		25/18.5				
5x5x6 (125-150)	M	30/22	132	8975002-334	8975002-335	1
		40/30				
5x5x6 (125-150)	M	50/37	160	8975002-334	8975002-335	1
2.5x2.5x7.5 (65-190)	S	15/11	132	8975002-304	8975002-305	1
		20/15				
		25/18.5				
2.5x2.5x7.5 (65-190)	M	30/22	132	8975002-334	8975002-335	1
3x3x7.5 (80-190)	S	15/11	132	8975002-304	8975002-305	1
		20/15				
		25/18.5				

PUMP PARTS KITS

PUMP SIZE	IMPELLER HUB	POWER RATING hp/kW	FRAME	PART NUMBER		QTY REQ.
				A1-2	A1-3	
3x3x7.5 (80-190)	M	30/22	132	8975002-334	8975002-335	1
		40/30				
		50/37	160			
5x5x7.5 (125-190)	M	50/37	160	8975002-334	8975002-335	1
		60/45	200			

APPLICATION GUIDE

Fluid	<200F			>200F		
	<=2000PPM	>2000PPM	>4000PPM	<=2000PPM	>2000PPM	>4000PPM
Potable Water	A1-2	No potable water for this application				
Non-Potable Water	A1-2	A1-2	NCP	A1-3	A1-2	NCP
Glycol > 30%	A1-2	A1-2	NCP	A1-2	A1-2	NCP
All Other	A1-2	A1-2	NCP	A1-3	A1-2	NCP

4300 DEPM IVS PUMP MECHANICAL SEAL (UK & EUROPE)



Manu Code	AC-TC 1A**
Seal Type	JOHN CRANE TYPE 1
Rotary	Antimony Loaded Carbon
Seat	Tungsten Carbide
O-Rings and Elastomer	EPDM
Legend (Refer App.guide)	C5

NOTE:

- B. Antimony Loaded Carbon- default selection for UK & Europe

PUMP SIZE	IMPELLER HUB	POWER RATING hp/kW	FRAME	PART NUMBER	QTY REQ.
				C5	
3x3x6B (80-150B)	S	15/11	132	9975000-960	1
		20/15			
		25/18.5			
3x3x6B (80-150B)	M	30/22	132	9975000-963	1
		40/30			
4x4x6C (100-150C)	S	15/11	132	9975000-960	1
		20/15			
		25/18.5			

PUMP PARTS KITS

PUMP SIZE	IMPELLER HUB	POWER RATING hp/kW	FRAME	PART NUMBER	QTY REQ.
				C5	
4x4x6C (100-150C)	M	30/22	132	9975000-963	1
		40/30			
5x5x6 (125-150)	S	15/11	132	9975000-960	1
		20/15			
		25/18.5			
5x5x6 (125-150)	M	30/22	132	9975000-963	1
		40/30			
5x5x6 (125-150)	M	50/37	160	9975000-963	1
2.5x2.5x7.5 (65-190)	S	15/11	132	89975000-960	1
		20/15			
		25/18.5			
2.5x2.5x7.5 (65-190)	M	30/22	132	89975000-963	1
3x3x7.5 (80-190)	S	15/11	132	89975000-960	1
		20/15			
		25/18.5			
3x3x7.5 (80-190)	M	30/22	132	89975000-963	1
		40/30	160		
		50/37			
5x5x7.5 (125-190)	M	50/37	160	89975000-963	1
		60/45	200		

APPLICATION GUIDE

Fluid	<200F			>200F		
	<=2000PPM	>2000PPM	>4000PPM	<=2000PPM	>2000PPM	>4000PPM
Potable Water	A1-3	No potable water for this application				
Non-Potable Water	A1-3	A1-3	NCP	A1-3	A1-3	NCP
Glycol > 30%	A1-3	A1-3	NCP	A1-3	A1-3	NCP
All Other	A1-3	A1-3	NCP	A1-3	A1-3	NCP

PUMP PARTS KITS

4380 DEPM IVS PUMP MECHANICAL SEAL (ALL MARKET)



Manu Code	SSC SSC L EPSS 2A	C-SSC L EPSS 2A*	AC SSC OEPS 2A**
Seal Type	Armstrong 2A		
Rotating face	Sintered Silicon Carbide	Resin Bonded Carbon	Antimony Loaded Carbon
Seat	Sintered Silicon Carbide		
O-Rings and Elastomer	EPDM (L-Cup)	EPDM (L-Cup)	EPDM (O-Ring)
Legend (Refer App.guide)	L2-A	L1-A	H3-A

NOTE:

* Default selection for Canada, US, India, China, APR and ME

** Default selection for UK & Europe

PUMP SIZE	IMPELLER HUB	POWER RATING hp/kW	FRAME	PART NUMBER			QTY REQ.
				L2-A	L1-A*	H3-A**	
3x3x6B (80-150B)	S	15/11	132	89975001-817	8975000-982	89975001-813	1
		20/15					
		25/18.5					
3x3x6B (80-150B)	M	30/22	132	89975001-837	8975000-984	89975001-833	1
		40/30					
4x4x6C (100-150C)	S	15/11	132	89975001-817	8975000-982	89975001-813	1
		20/15					
		25/18.5					
4x4x6C (100-150C)	M	30/22	132	89975001-837	8975000-984	89975001-833	1
		40/30					
5x5x6 (125-150)	S	15/11	132	89975001-817	8975000-982	89975001-813	1
		20/15					
		25/18.5					
5x5x6 (125-150)	M	30/22	132	89975001-837	8975000-984	89975001-833	1
		40/30					
5x5x6 (125-150)	M	50/37	160	89975001-837	8975000-984	89975001-833	1
2.5x2.5x7.5 (65-190)	S	15/11	132	89975001-81702K	8975000-98202K	89975001-81302K	1
		20/15					
		25/18.5					
2.5x2.5x7.5 (65-190)	M	30/22	132	89975001-83702K	8975000-98402K	89975001-83302K	1

PUMP PARTS KITS

PUMP SIZE	IMPELLER HUB	POWER RATING hp/kW	FRAME	PART NUMBER			QTY REQ.
				L2-A	L1-A*	H3-A**	
3x3x7.5 (80-190)	S	15/11	132	89975001-81702K	8975000-98202K	89975001-81302K	1
		20/15	132				
		25/18.5	132				
3x3x7.5 (80-190)	M	30/22	132	89975001-83702K	8975000-98402K	89975001-83302K	1

APPLICATION GUIDE

Fluid	<200F			>200F		
	<=2000PPM	>2000PPM	>4000PPM	<=2000PPM	>2000PPM	>4000PPM
Potable Water	L1-A	No potable water for this application				
Non-Potable Water	L1-A	L2-A	NCP	H3-A	L2-A	NCP
Glycol > 30%	L2-A	NCP	NCP	L2-A	L2-A	NCP
All Other	L1-A	L2-A	NCP	H3-A	L2-A	NCP

4300/4380 DEPM IVS PUMP DESIGN ENVELOPE PUMP CONTROLLER PARTS KIT (DEPC)

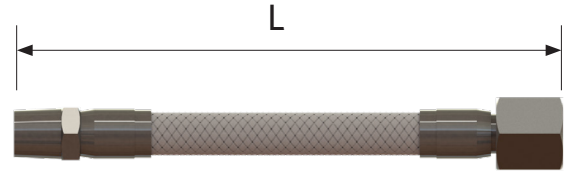


PUMP SIZE	PART NUMBER (INDOOR/OUTDOOR)	KIT INCLUDES
3x3x6B (80-150B)	880100-006	LCD resistive Touch Screen, IVS102 LCD-PCBholder, PCB board w/o firmware, DEPC LCD support foam
4x4x6C (100-150C)	880100-006	
5x5x6 (125-150)	880100-006	
2.5x2.5x7.5 (65-190)	880100-006	
3x3x7.5 (80-190)	880100-006	
5x5x7.5 (125-190)	880100-006	

PUMP PARTS KITS

STANDARD FLUSH LINE REPLACEMENT PARTS AND KITS

BRAID HOSE



PUMP SERIES	PUMP SIZE	IMPELLER HUB	POWER hp/kW	FRAME	PART NUMBER	LENGTH
4300	2.5x2.5x7.5 (65-190)	S	15/11	132	8939031-720	20
			20/15			
			25/18.5			
	2.5x2.5x7.5 (65-190)	M	30/22	132		20
4300	3x3x7.5 (80-190)	S	15/11	132	8939031-720	20
			20/15			
			25/18.5			
	3x3x7.5 (80-190)	M	30/22	132		20
			40/30			160
4300	5x5x7.5 (125-190)	M	50/37	160	8939031-720	20
			60/45	200	20	

NOTE: Please Contact Armstrong for Filter Flush line Braided hose & Cyclone separator braided hose

SPARE FILTER-CARTRIDGE

PUMP SIZE	PART NUMBER
2.5x2.5x7.5 (65-190)	8975000-303
3x3x7.5 (80-190)	8975000-303
5x5x7.5 (125-190)	8975000-303



IVS102 DEPC SCREEN REPLACEMENT KIT

PART NUMBER	QTY REQUIRED
880100-009	1



PUMP PARTS KITS

4300/4380 DEPM IVS PUMP SHROUD PARTS KIT

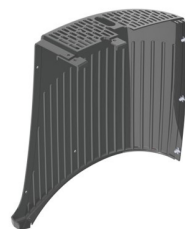
MOTOR POWER (hp (kW) - VOLTAGE (POLE-P))	MOTOR FRAME & POWER in (kW)	IVS DRIVE SIZE	SHROUD SIZE	FRONT SHROUD W/O FUSED DISCONNECT	FRONT SHROUD WITH FUSED DISCONNECT	LEFT SHROUD PARTS KIT	RIGHT SHROUD PARTS KIT	KIT INCLUDES	
15/11 - 230, 460, 575V	132 (11-18.5kW)	B1	B1	8428951-000K	8428951-001K	8428952-000K	8428953-000K	Shroud, Screws & Washers	
20/15 - 460, 575V									
25/18.5 - 460, 575V									
20/15 - 230V	132 (22-37kW)	B2	B2/C1	8428961-001K	8428962-000K	8428963-000K			
30/22 - 460, 575V									
40/30 - 460, 575V									
25/18.5 - 230V	160	C1		8428961-000K	8428962-000K	8428963-000K			
30/22 - 230V				8428961-002K					
40/30 - 230V									
50/37 - 460, 575V									
25/18.5 - 460, 575V-4P	200	B1	B1/B2/C1	8429097-000K	8429097-001K	8429099-001K	8429098-000K		
25/18.5 - 230V-4P		B2			8429097-002K				
30/22 - 230V-4P									
40/30 - 230V-4P									
50/37 - 460, 575V-4P		C1			8429097-003K			8429099-001K	8429098-000K
50/37 - 230V-4P									
60/45 - 230V-4P									
60/45 - 460, 575V									
75/55 - 460, 575V									



FRONT SHROUD W/O FUSED DISCONNECT



FRONT SHROUD WITH FUSED DISCONNECT



LEFT SHROUD PARTS KIT



RIGHT SHROUD PARTS KIT

TORONTO

23 BERTRAND AVENUE,
TORONTO, ONTARIO,
CANADA, M1L 2P3
+1 416 755 2291

BUFFALO

93 EAST AVENUE, NORTH
TONAWANDA, NEW YORK,
USA, 14120-6594
+1 716 693 8813

DROITWICH SPA

POINTON WAY, STONEBRIDGE CROSS
BUSINESS PARK, DROITWICH SPA,
WORCESTERSHIRE,
UNITED KINGDOM, WR9 0LW
+44 121 550 5333

MANCHESTER

WOLVERTON STREET, MANCHESTER
UNITED KINGDOM, M11 2ET
+44 161 223 2223

BANGALORE

#18, LEWIS WORKSPACE, 3RD FLOOR,
OFF MILLERS - NANDIDURGA ROAD,
JAYAMAHAL CBD, BENSON TOWN,
BANGALORE, INDIA 560 046
+91 80 4906 3555

SHANGHAI

UNIT 903, 888 NORTH SICHUAN RD.
HONGKOU DISTRICT, SHANGHAI
CHINA, 200085
+86 21 5237 0909

BEIJING

ROOM 1612, NANYIN BUILDING NO.2
NORTH EAST THRID RING ROAD
CHAOYANG DISTRICT, BEIJING,
CHINA 100027
+86 21 5237 0909

SÃO PAULO

RUA JOSÉ SEMIÃO RODRIGUES
AGOSTINHO, 1370 GALPÃO 6 EMBU
DAS ARTES, SAO PAULO, BRAZIL
+55 11 4785 1330

LYON

93 RUE DE LA VILLETTE
LYON, 69003 FRANCE
+33 4 26 83 78 74

DUBAI

JAFZA VIEW 19, OFFICE 402
P.O. BOX 18226 JAFZA,
DUBAI - UNITED ARAB EMIRATES
+971 4 887 6775

JIMBOLIA

STR CALEA MOTILOR NR. 2C
JIMBOLIA 305400, JUD.TIMIS
ROMANIA
+40 256 360 030

FRANKFURT

WESTERBACHSTRASSE 32,
D-61476 KRONBERG IM TAUNUS
GERMANY
+49 6173 999 77 55

FOR SERVICE RELATED PARTS & KITS

Use ADEPT Select to quickly and easily select.

Visit adept.armstrongfluidtechnology.com to learn more

