

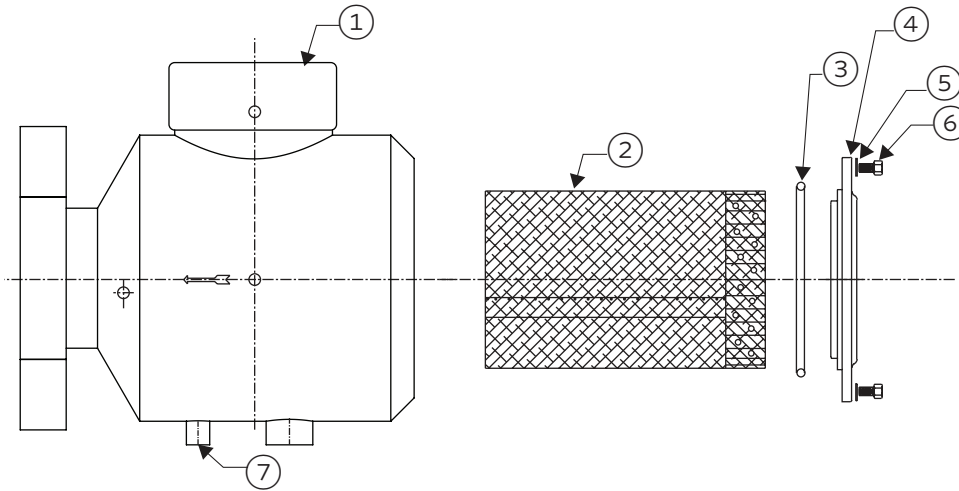
Suction Guide

Model SG, SGHH,
SG-TF and SGH-TF

Parts list

File No: 6035.1001EC
Date: JANUARY 30, 2021
Supersedes: 6035.100L
Date: OCTOBER 17, 2013

Suction Guide parts



PART NUMBERS

ITEM NO.	PART DESCRIPTION	MODEL					
		SG-1515TF	SG-215TF	SG-22TF	SGH-1515TF	SGH-215TF	SGH-22TF
①	Body (See notes)	516840-254	516840-264	516860-274	516840-255	516840-265	516860-275
②	Strainer assembly	516896-000	516896-000	516896-000	516896-000	516896-000	516896-000
③	O-RING - EDPM, 3.3591.D.x.139CS	AS1270-237	AS1270-237	AS1270-237	AS1270-237	AS1270-237	AS1270-237
④	Cover	516885-231	516885-231	516885-231	516885-231	516885-231	516885-231
⑤	Washer - STL ½" plain (SAE)	927117-100	927117-100	927117-100	927117-100	927117-100	927117-100
⑥	Hex head cap screw - ½" -13 × ⅞"	911125-107	911125-107	911125-107	911125-107	911125-107	911125-107
⑦	Pipe plug - ½" NPT SQ HD	939021-203	939021-203	939021-203	939021-203	939021-203	939021-203

NOTES:

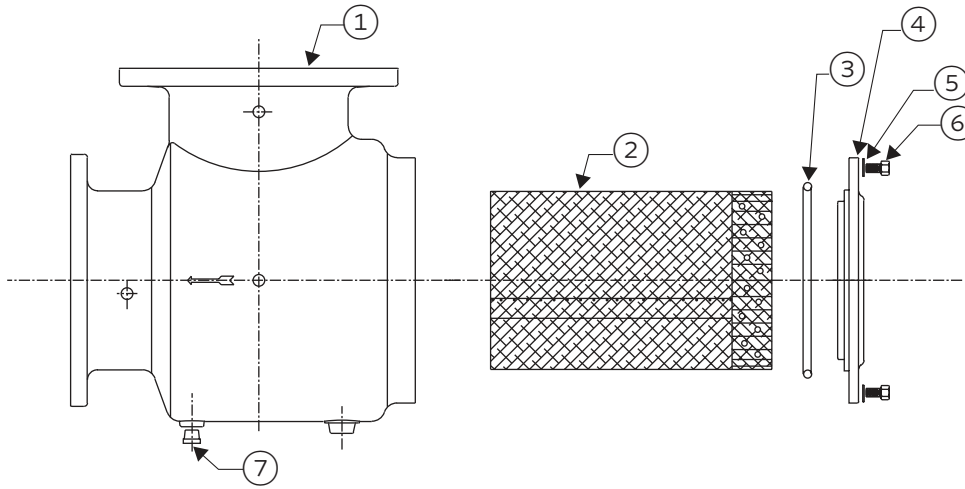
Body is not available as a replacement part.

Strainer assembly includes permanent and fine-mesh start-up strainers.

Permanent strainer perforation hole size - 0.125" / 3mm dia..

Start-up strainer must be removed immediately system is strained (24 hrs max).

Support pipe is not furnished and is not a replacement part - Use properly sized unthreaded steel pipe.



PART NUMBERS

ITEM NO.	PART DESCRIPTION	MODEL			
		SG-252	SG-32	SG-2525	SG-325
①	Body (See notes)	516841-411	516842-411	516843-411	516844-411
②	Strainer assembly	516896-000	516896-000	516896-000	516896-000
③	O-RING - EDPM, 3.3591.D.x.139CS	AS1270-237	AS1270-237	AS1270-237	AS1270-237
④	Cover	516885-231	516885-231	516885-231	516885-231
⑤	Washer - STL ½" plain (SAE)	927117-100	927117-100	927117-100	927117-100
⑥	Hex head cap screw -½"-13 × ⅞"	911125-107	911125-107	911125-107	911125-107
⑦	Pipe plug - ½" NPT SQ HD	939021-203	939021-203	939021-203	939021-203

ITEM NO.	PART DESCRIPTION	MODEL				
		SGHH-22	SGHH-252	SGHH-32	SGHH-2525	SGHH-325
①	Body (See notes)	516840-431	516841-431	516842-431	516843-431	516844-431
②	Strainer assembly	516896-000	516896-000	516896-000	516896-000	516896-000
③	O-RING - EDPM, 3.3591.D.x.139CS	AS1270-237	AS1270-237	AS1270-237	AS1270-237	AS1270-237
④	Cover	516885-231	516885-231	516885-231	516885-231	516885-231
⑤	Washer - STL ½" plain (SAE)	927117-100	927117-100	927117-100	927117-100	927117-100
⑥	Hex head cap screw -½"-13 × ⅞"	911125-107	911125-107	911125-107	911125-107	911125-107
⑦	Pipe plug - ½" NPT SQ HD	939021-203	939021-203	939021-203	939021-203	939021-203

NOTES:

- Body is not available as a replacement part.
- Strainer assembly includes permanent and fine-mesh start-up strainers.
- Permanent strainer perforation hole size - 0.125" / 3mm dia..
- Start-up strainer must be removed immediately system is strained (24 hrs max).
- Support pipe is not furnished and is not a replacement part - Use properly sized unthreaded steel pipe.

4

ITEM NO.	PART DESCRIPTION	MODEL			
		SG-33	SG-43	SGHH-33	SGHH-43
①	Body (See notes)	516845-411	516846-411	516845-431	516846-431
②	Strainer assembly	516897-000	516897-000	516897-000	516897-000
③	O-RING - EDPM, 4.1091.D.x.139CS	AS1270-243	AS1270-243	AS1270-243	AS1270-243
④	Cover	516886-231	516886-231	516886-231	516886-231
⑤	Washer - STL 5/8" plain (SAE)	927121-100	927121-100	927121-100	927121-100
⑥	Hex head cap screw - 5/8"-11 x 1"	911129-108	911129-108	911129-108	911129-108
⑦	Pipe plug - 3/4" NPT SQ HD	939021-204	939021-204	939021-204	939021-204

ITEM NO.	PART DESCRIPTION	MODEL					
		SG-44	SG-54	SG-64	SGHH-44	SGHH-54	SGHH-64
①	Body (See notes)	516847-411	516848-411	516849-411	516847-431	516848-431	516849-431
②	Strainer assembly	516854-000	516854-000	516854-000	516854-000	516854-000	516854-000
③	O-RING - EDPM, 4.9841.D.x.139CS	AS1270-250	AS1270-250	AS1270-250	AS1270-250	AS1270-250	AS1270-250
④	Cover	516887-231	516887-231	516887-231	516887-231	516887-231	516887-231
⑤	Washer - STL 5/8" plain (SAE)	927121-100	927121-100	927121-100	927121-100	927121-100	927121-100
⑥	Hex head cap screw - 5/8"-11 x 1"	911129-108	911129-108	911129-108	911129-108	911129-108	911129-108
⑦	Pipe plug - 3/4" NPT SQ HD	939021-204	939021-204	939021-204	939021-204	939021-204	939021-204

ITEM NO.	PART DESCRIPTION	MODEL			
		SG-55	SG-65	SGHH-55	SGHH-65
①	Body (See notes)	516850-411	516851-411	516850-431	516851-431
②	Strainer assembly	516898-000	516898-000	516898-000	516898-000
③	O-RING - EDPM, 6.2341.D.x.139CS	AS1270-259	AS1270-259	AS1270-259	AS1270-259
④	Cover	516888-231	516888-231	516888-231	516888-231
⑤	Washer - STL 3/4" plain (SAE)	927123-100	927123-100	927123-100	927123-100
⑥	Hex head cap screw - 3/4"-10 x 1.25"	911131-110	911131-110	911131-110	911131-110
⑦	Pipe plug - 1" NPT SQ HD	939021-505	939021-505	939021-505	939021-505

NOTES:

Body is not available as a replacement part.

Strainer assembly includes permanent and fine-mesh start-up strainers.

Permanent strainer perforation hole size - 0.125" / 3mm dia..

Start-up strainer must be removed immediately system is strained (24 hrs max).

Support pipe is not furnished and is not a replacement part - Use properly sized unthreaded steel pipe.

ITEM NO.	PART DESCRIPTION	MODEL			
		SG-66	SG-86	SGHH-66	SGHH-86
①	Body (See notes)	516852-411	516853-411	516852-431	516853-431
②	Strainer assembly	516899-000	516899-000	516899-000	516899-000
③	O-RING - EDPM, 7.4841.D.x.139CS	AS1270-264	AS1270-264	AS1270-264	AS1270-264
④	Cover	516889-231	516889-231	516889-231	516889-231
⑤	Washer - STL ¾" plain (SAE)	927123-100	927123-100	927123-100	927123-100
⑥	Hex head cap screw - ¾"-10 × 1.25"	911131-110	911131-110	911131-110	911131-110
⑦	Pipe plug - 1" NPT SQ HD	939021-505	939021-505	939021-505	939021-505

ITEM NO.	PART DESCRIPTION	MODEL			
		SG-88	SG-108	SGHH-88	SGHH-108
①	Body (See notes)	516854-411	516855-411	516854-431	516855-431
②	Strainer assembly	516900-000	516900-000	516900-000	516900-000
③	O-RING - EDPM, 9.475.D.x.210CS	AS1270-375	AS1270-375	AS1270-375	AS1270-375
④	Cover	516890-231	516890-231	516890-231	516890-231
⑤	Washer - STL ¾" plain (SAE)	927123-100	927123-100	927123-100	927123-100
⑥	Hex head cap screw - ¾"-10 × 1.75"	911131-114	911131-114	911131-114	911131-114
⑦	Pipe plug - 1" NPT SQ HD	939021-505	939021-505	939021-505	939021-505

NOTES:

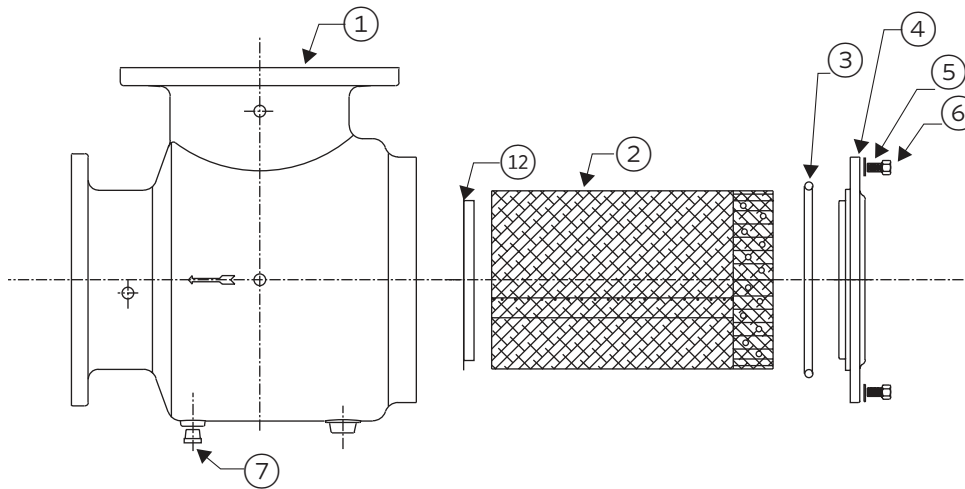
Body is not available as a replacement part.

Strainer assembly includes permanent and fine-mesh start-up strainers.

Permanent strainer perforation hole size - 0.125" / 3mm dia..

Start-up strainer must be removed immediately system is strained (24 hrs max).

Support pipe is not furnished and is not a replacement part - Use properly sized unthreaded steel pipe.



PART NUMBERS

ITEM NO.	PART DESCRIPTION	MODEL			
		SG-1010	SG-1210	SGHH-1010	SGHH-1210
①	Body (See notes)	516856-411	516857-411	516856-431	516857-431
②	Strainer assembly	516860-000	516860-000	516860-000	516860-000
③	O-RING - EDPM, 11.475.D.x.210CS	AS1270-380	AS1270-380	AS1270-380	AS1270-380
④	Cover	516891-231	516891-231	516891-231	516891-231
⑤	Washer - STL 1" plain (SAE)	927127-100	927127-100	927127-100	927127-100
⑥	Hex head cap screw - 1" - 8 x 2.25"	911135-118	911135-118	911135-118	911135-118
⑦	Pipe plug - 1" NPT SQ HD	939021-505	939021-505	939021-505	939021-505
⑫	Roundup ring	516914-001	516914-001	516914-001	516914-001

ITEM NO.	PART DESCRIPTION	MODEL			
		SG-1212	SG-1412	SGHH-1212	SGHH-1412
①	Body (See notes)	516858-411	516859-411	516858-431	516859-431
②	Strainer assembly	516970-000	516970-000	516970-000	516970-000
③	O-RING - EDPM, 12.975.D.x.210CS	AS1270-382	AS1270-382	AS1270-382	AS1270-382
④	Cover	516892-231	516892-231	516891-231	516892-231
⑤	Washer - STL 1" plain (SAE)	927127-100	927127-100	927127-100	927127-100
⑥	Hex head cap screw - 1" - 8 x 2.25"	911135-118	911135-118	911135-118	911135-118
⑦	Pipe plug - 1" NPT SQ HD	939021-505	939021-505	939021-505	939021-505
⑫	Roundup ring	516971-001	516971-001	516914-001	516971-001

NOTES:

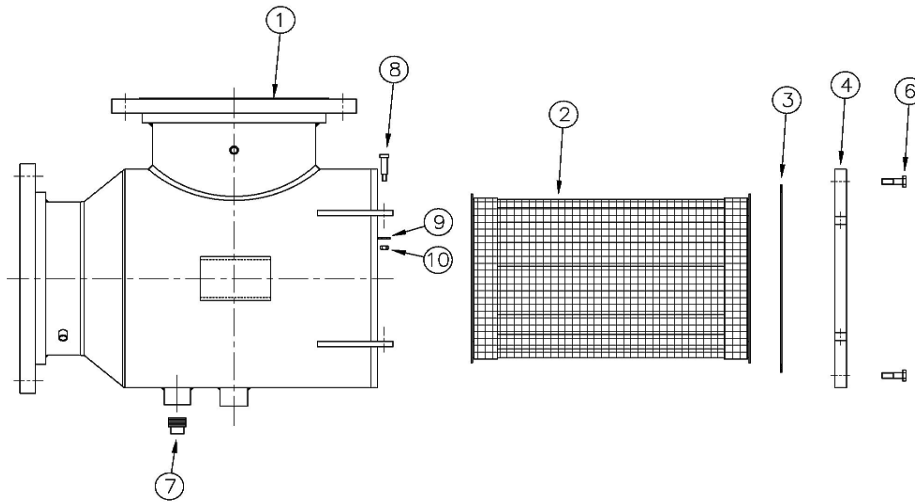
Body is not available as a replacement part.

Strainer assembly includes permanent and fine-mesh start-up strainers.

Permanent strainer perforation hole size - 0.125" / 3mm dia..

Start-up strainer must be removed immediately system is strained (24 hrs max).

Support pipe is not furnished and is not a replacement part - Use properly sized unthreaded steel pipe.



PART NUMBERS - FABRICATED STEEL

ITEM NO.	PART DESCRIPTION	MODEL		
		SG-1414	SG-1614	SG-1814
①	Body (See notes)	N/A	N/A	N/A
②	Strainer assembly	516862-116	516862-116	516862-116
③	Gasket	516862-114	516862-114	516862-114
④	Cover assembly	N/A	N/A	N/A
⑥	Hex head cap screw - ½" - 13 × 1¾"	911125-314	911125-314	911125-314
⑦	Pipe plug - 1½" NPT SQ HD	933105-007	933105-007	933105-007
⑧	Hinge pin shoulder bolt - ½" × 1½"	516862-104	516862-104	516862-104
⑨	Washer - STL. ⅜" plain	927114-100	927114-100	927114-100
⑩	Hex nut - ⅜" - 16	913121-100	913121-100	913121-100

ITEM NO.	PART DESCRIPTION	MODEL	
		SG-1616	SG-1816
①	Body (See notes)	N/A	N/A
②	Strainer assembly	516862-126	516862-126
③	Gasket	691300-008	691300-008
④	Cover assembly	N/A	N/A
⑥	Hex head cap screw - ⅝" - 11 × 2¼"	911129-318	911129-318
⑦	Pipe plug - 1½" NPT SQ HD	933105-007	933105-007
⑧	Hinge pin shoulder bolt - ½" × 1½"	516862-104	516862-104
⑨	Washer - STL. ⅜" plain	927114-100	927114-100
⑩	Hex nut - ⅜" - 16	913121-100	913121-100

NOTES:

Body is not available as a replacement part.
 Strainer assembly includes permanent and fine-mesh start-up strainers.
 Permanent strainer perforation hole size - 0.125" / 3mm dia.
 Start-up strainer must be removed immediately system is strained (24 hrs max).
 Support pipe is not furnished and is not a replacement part
 - Use properly sized unthreaded steel pipe.

ITEM NO.	PART DESCRIPTION	MODEL	
		SG-2020	SG-2420
①	Body (See notes)	N/A	N/A
②	Strainer assembly	516862-136	516862-136
③	Gasket	691300-010	691300-010
④	Cover assembly	N/A	N/A
⑥	Hex head cap screw - 5/8" - 11 x 2 1/2"	911129-320	911129-320
⑦	Pipe plug - 2" NPT SQ HD	933105-008	933105-008
⑧	Hinge pin shoulder bolt - 1/2" x 1 1/2"	516862-104	516862-104
⑨	Washer - STL. 3/8" plain	927114-100	927114-100
⑩	Hex nut - 3/8" - 16	913121-100	913121-100

NOTES:

Body is not available as a replacement part.

Strainer assembly includes permanent and fine-mesh start-up strainers.

Permanent strainer perforation hole size - 0.125" / 3mm dia..

Start-up strainer must be removed immediately system is strained (24 hrs max).

Support pipe is not furnished and is not a replacement part - Use properly sized unthreaded steel pipe.

TORONTO

+1 416 755 2291

BUFFALO

+1 716 693 8813

BIRMINGHAM

+44 8444 145 145

MANCHESTER

+44 8444 145 145

BANGALORE

+91 80 4906 3555

SHANGHAI

+86 21 5237 0909

SÃO PAULO

+55 11 4785 1330

LYON

+33 4 26 83 78 74

DUBAI

+971 4 887 6775

MANNHEIM

+49 621 3999 9858