

# 4700 Vertical multi-stage centrifugal pumps

VMS

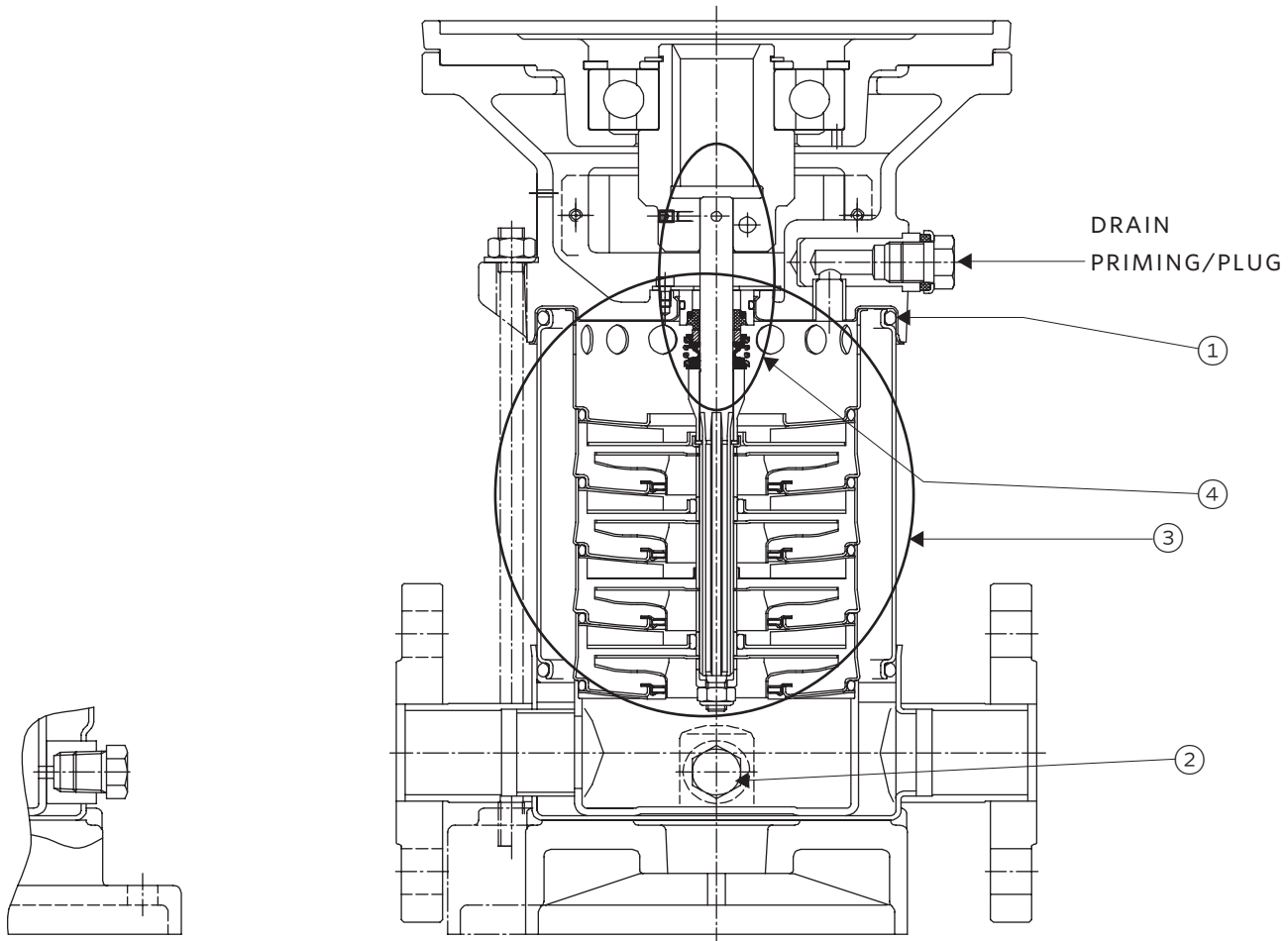
---

## Parts list

File No: 6047.100  
Date: SEPTEMBER 11, 2020  
Supersedes: 6047.100  
Date: JANUARY 21, 2019

**4700 Vertical multi-stage centrifugal pump**

VMS01B - VMS20B

**ITEM 1 - OUTER CASING O-RING**

PUMP SIZE	QTY REQUIRED	PART NUMBER
VMS01B	2	190100-004
VMS03B	2	190100-004
VMS05B	2	190100-004
VMS10B	2	190100-005
VMS15B	2	190100-005
VMS20B	2	190100-005

**ITEM 2 - DRAIN PLUG**

PUMP SIZE	QTY REQUIRED	PART NUMBER
VMS01B	1	190115-001
VMS03B	1	
VMS05B	1	
VMS10B	1	
VMS15B	1	
VMS20B	1	

**ITEM 3- HYDRAULIC KIT\***

PUMP SIZE	QTY REQUIRED	PART NUMBER							
		STAGE# →	1	2	3	4	5	6	7
VMS01B	1		EVMSU01-2K	EVMSU01-3K	EVMSU01-4K	EVMSU01-5K	EVMSU01-6K	EVMSU01-7K	EVMSU01-8K
VMS03B	1		EVMSU03-2K	EVMSU03-3K	EVMSU03-4K	EVMSU03-5K	EVMSU03-6K	EVMSU03-7K	EVMSU03-8K
VMS05B	1		EVMSU05-2K	EVMSU05-3K	EVMSU05-4K	EVMSU05-5K	EVMSU05-6K	EVMSU05-7K	EVMSU05-8K
VMS10B	1	EVMSU10-1K	EVMSU10-2K	EVMSU10-3K	EVMSU10-4K	EVMSU10-5K	EVMSU10-6K	EVMSU10-7K	EVMSU10-8K
VMS15B	1	EVMSU15-1K	EVMSU15-2K	EVMSU15-3K	EVMSU15-4K	EVMSU15-5K	EVMSU15-6K	EVMSU15-7K	EVMSU15-8K
VMS20B	1	EVMSU20-1K	EVMSU20-2K	EVMSU20-3K	EVMSU20-4K	EVMSU20-5K	EVMSU20-6K	EVMSU20-7K	EVMSU20-8K

PUMP SIZE	QTY REQUIRED	PART NUMBER								
		STAGE# →	9	10	11	12	13	14	15	16
VMS01B	1		EVMSU01-9K	EVMSU01-10K	EVMSU01-11K	EVMSU01-12K	EVMSU01-13K	EVMSU01-14K		EVMSU01-16K
VMS03B	1		EVMSU03-9K	EVMSU03-10K	EVMSU03-11K	EVMSU03-12K	EVMSU03-13K	EVMSU03-14K	EVMSU03-15K	EVMSU03-16K
VMS05B	1		EVMSU05-9K	EVMSU05-10K	EVMSU05-11K	EVMSU05-12K	EVMSU05-13K	EVMSU05-14K	EVMSU05-15K	EVMSU05-16K
VMS10B	1		EVMSU10-9K	EVMSU10-10K	EVMSU10-11K	EVMSU10-12K		EVMSU10-14K	EVMSU10-15K	EVMSU10-16K
VMS15B	1		EVMSU15-9K	EVMSU15-10K	EVMSU15-11K	EVMSU15-12K				
VMS20B	1		EVMSU20-9K	EVMSU20-10K						

PUMP SIZE	QTY REQUIRED	PART NUMBER								
		STAGE# →	17	18	19	20	21	22	23	24
VMS01B	1			EVMSU01-18K		EVMSU01-20K		EVMSU01-22K		EVMSU01-24K
VMS03B	1		EVMSU03-17K		EVMSU03-19K	EVMSU03-20K	EVMSU03-21K	EVMSU03-22K	EVMSU03-23K	
VMS05B	1		EVMSU05-17K	EVMSU05-18K	EVMSU05-19K					
VMS10B	1									
VMS15B	1									
VMS20B	1									

PUMP SIZE	QTY REQUIRED	PART NUMBER			
		STAGE# →	26	27	29
VMS01B	1		EVMSU01-26K	EVMSU01-27K	EVMSU01-29K
VMS03B	1				
VMS05B	1				
VMS10B	1				
VMS15B	1				
VMS20B	1				

**NOTE:**

\*Hydraulic Kit includes: Hydraulic Assembly, (2) Outer Casing O-Rings, Shaft Pin, and Mechanical Seal

4

**ITEM 4- COUPLING KIT\*\***

PUMP SIZE	QTY REQUIRED	PART NUMBER							
		STAGE# →	1	2	3	4	5	6	7
VMS01B	1		190120-051	190120-051	190120-051	190120-051	190120-051	190120-051	190120-051
VMS03B	1		190120-051	190120-051	190120-051	190120-051	190120-051	190120-051	190120-051
VMS05B	1		190120-051	190120-051	190120-051	190120-050	190120-050	190120-050	190120-050
VMS10B	1	190120-055	190120-055	190120-056	190120-056	190120-056	190120-056	190120-056	190120-056
VMS15B	1	190120-055	190120-056	190120-056	190120-053	190120-053	190120-053	190120-053	190120-054
VMS20B	1	190120-056	190120-056	190120-056	190120-053	190120-053	190120-053	190120-054	190120-054

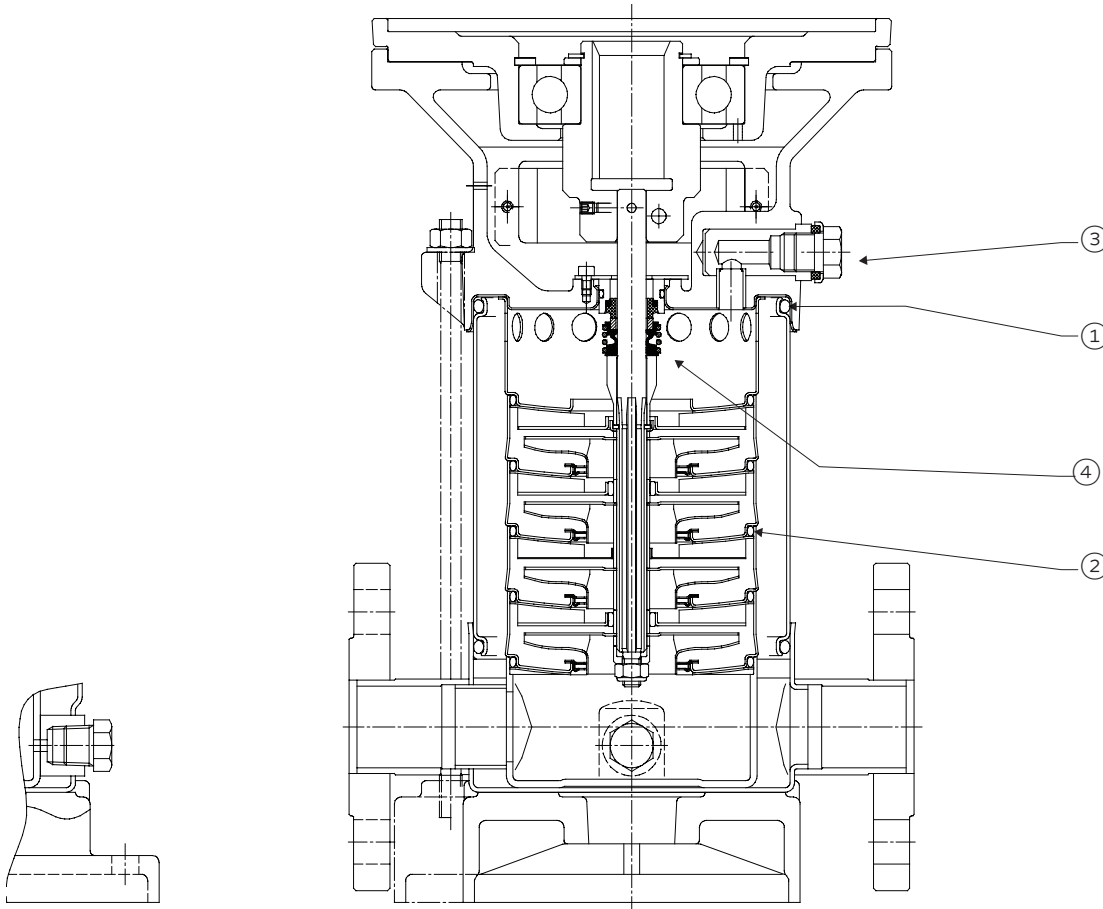
PUMP SIZE	QTY REQUIRED	PART NUMBER							
		STAGE# →	9	10	11	12	13	14	15
VMS01B	1	190120-051	190120-051	190120-051	190120-051	190120-051	190120-051		190120-051
VMS03B	1	190120-051	190120-051	190120-050	190120-050	190120-050	190120-050	190120-050	190120-050
VMS05B	1	190120-050	190120-050	190120-050	190120-052	190120-052	190120-052	190120-052	190120-052
VMS10B	1	190120-056	190120-053	190120-053	190120-053		190120-053	190120-053	190120-053
VMS15B	1	190120-054	190120-054	190120-054	190120-054				
VMS20B	1	190120-054	190120-054						

PUMP SIZE	QTY REQUIRED	PART NUMBER							
		STAGE# →	17	18	19	20	21	22	23
VMS01B	1		190120-051		190120-051		190120-050		190120-050
VMS03B	1	190120-050		190120-050	190120-050	190120-050	190120-050	190120-050	
VMS05B	1	190120-052	190120-052	190120-052					
VMS10B	1								
VMS15B	1								
VMS20B	1								

PUMP SIZE	QTY REQUIRED	PART NUMBER		
		STAGE# →	26	27
VMS01B	1	190120-050	190120-050	190120-050
VMS03B	1			
VMS05B	1			
VMS10B	1			
VMS15B	1			
VMS20B	1			

**NOTE:**  
 \*\*Coupling Kit includes Coupling, Motor Shaft Key, Shaft Pin, and Coupling Nuts, Bolts, and Washers

## 4700 Vertical multi-stage centrifugal pump VMS 32, VMS 45 & VMS 64



### \*ITEM 1 - OUTER CASING O-RING

PUMP SIZE	QTY REQUIRED	PART NUMBER
VMS 32	2	190100-002
VMS 45	2	190100-003
VMS 64		

### ITEM 3 - PRIMING PLUG

PUMP SIZE	PART NUMBER
VMS 32	190115-000
VMS 45	
VMS 64	

### \*ITEM 2 - INTERMEDIATE CASING O-RING

PUMP SIZE	QTY REQUIRED	PART NUMBER
VMS 32	N/A	-
VMS 45	N/A	-
VMS 64		

### \*ITEM 4 - MECHANICAL SEAL

PUMP SIZE	PART NUMBER
VMS 32	190120-003
VMS 32-9 TO 32-10-1	190120-004
VMS 45	190120-003
VMS 64	

**NOTE:**

\*Recommended spares

**TORONTO**

23 BERTRAND AVENUE  
TORONTO, ONTARIO  
CANADA, M1L 2P3  
+1 416 755 2291

**BUFFALO**

93 EAST AVENUE  
NORTH TONAWANDA, NEW YORK  
U.S.A., 14120-6594  
+1 716 693 8813

**BIRMINGHAM**

HEYWOOD WHARF, MUCKLOW HILL  
HALESOWEN, WEST MIDLANDS  
UNITED KINGDOM, B62 8DJ  
+44 (0) 8444 145 145

**MANCHESTER**

WOLVERTON STREET  
MANCHESTER  
UNITED KINGDOM, M11 2ET  
+44 (0) 8444 145 145

**BANGALORE**

#59, FIRST FLOOR, 3RD MAIN  
MARGOSA ROAD, MALLESWARAM  
BANGALORE, INDIA, 560 003  
+91 (0) 80 4906 3555

**SHANGHAI**

UNIT 903, 888 NORTH SICHUAN RD.  
HONGKOU DISTRICT, SHANGHAI  
CHINA, 200085  
+86 (0) 21 5237 0909

**SÃO PAULO**

RUA JOSÉ SEMIÃO RODRIGUES AGOSTINHO,  
1370 GALPÃO 6 EMBU DAS ARTES  
SAO PAULO, BRAZIL  
+55 11 4785 1330

**LYON**

93 RUE DE LA VILLETTE  
LYON, 69003 FRANCE  
+33 (0) 420 102 625

**DUBAI**

JAFZA VIEW 19, OFFICE 402  
P.O.BOX 18226 JAFZA,  
DUBAI - UNITED ARAB EMIRATES  
+971 4 887 6775

**MANNHEIM**

DYNAMOSTRASSE 13  
68165 MANNHEIM  
GERMANY  
+49 (0) 621 3999 9858