

---

# Design Envelope Vertical In-line Pumping Unit

---

## Parts list

File No: 6094.110  
Date: NOVEMBER 06, 2017  
Supersedes: 6094.110  
Date: NOVEMBER 03, 2017

---

---

—

—

—

—

# CONTENTS

---

|                             |   |
|-----------------------------|---|
| 4300 & 4380 Parts List      | 4 |
| 4372 & 4322 Part list       | 5 |
| Blanking Plate Kit          | 6 |
| Pump Control Module         | 6 |
| Red Plastic Part Assemblies | 7 |

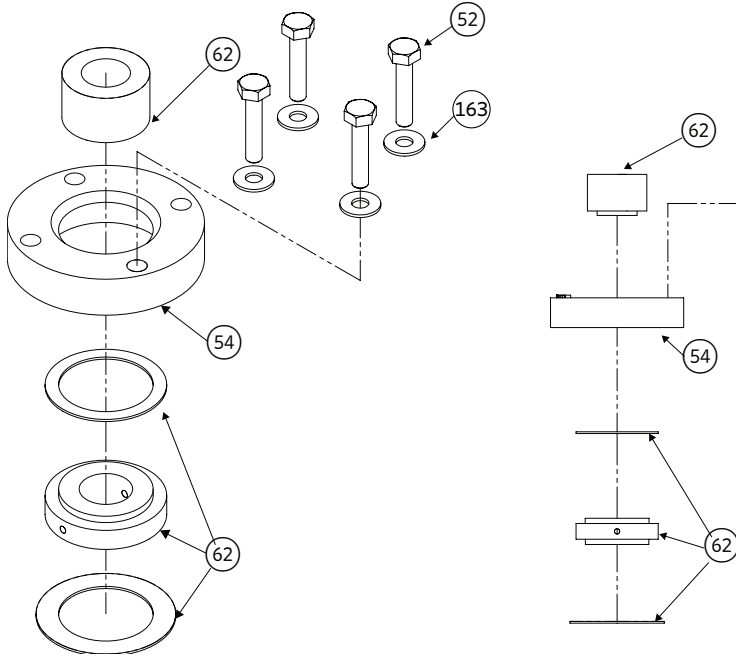
---

---

---

---

**4300 & 4380 PART LIST**

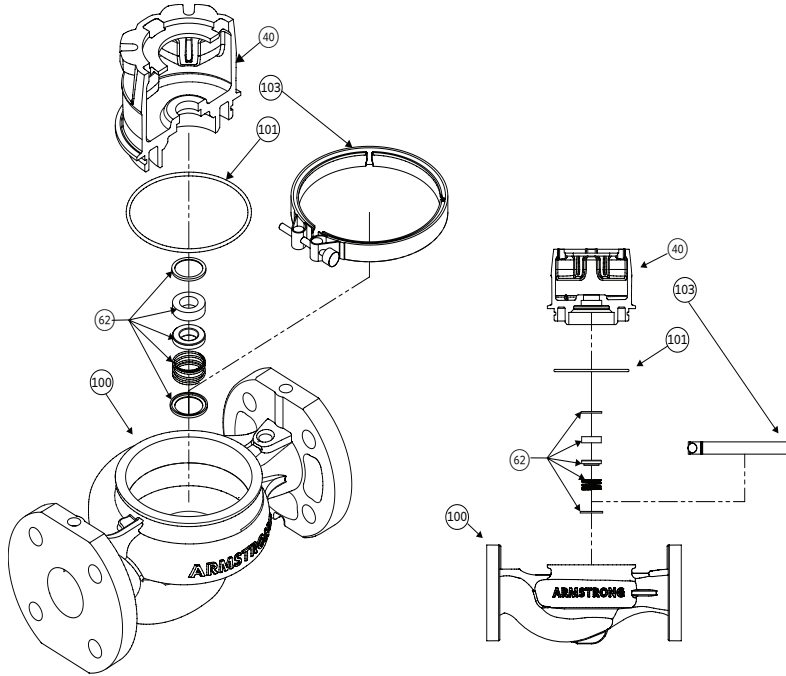


| ITEM | DESCRIPTION                              |
|------|--|
| 52   | Seal Cover Capscrew                      |
| 54   | Seal Cover                               |
| 62   | Outside Mechanical Seal John Crane STD   |
| 62   | Outside Mechanical Seal John Crane TC    |
| 62   | Outside Mechanical Seal Duramettalic STD |
| 62   | Outside Mechanical Seal Duramettalic TC  |
| 163  | Seal Cover Capscrew Washer               |

| QTY | PART NUMBER  | DESCRIPTION   |
|-----|--------------|---|
|     | 975002-324   | Seal 5" 4300 Size: 0.750  |
| 1   |              | Seal-Mech 0.750 AB2 C-Ssc316-v  |
|     | 975002-325   | Seal 4300 5" (AC-SSC) Size: 0.750 Antimony                                      |
| 1   |              | Seal-Mech 0.750 AB2 ACSSc316-v  |
|     | 89975000-920 | Seal Kit 5" 4380 Size: 0.750  |
| 1   |              | Pkg Seal 0.750 2A C-Ssc316EPDL  |
| 1   |              | Clamp-V-Retainer CPLG SST 5"  |
| 1   |              | O-ring EPDM 4¾" ID × 0.139CS  |
| 1   |              | Box Serv Parts 6 <sup>13</sup> / <sub>16</sub> × 5 <sup>5</sup> / <sub>16</sub> |
|     | 89975000-924 | Seal Kit 4380 5" (AC-SSC) Size: 0.750 Antimony                                  |
| 1   |              | Pkg Seal 0.750 2A ACSSc316EPDM  |
| 1   |              | Clamp-V-Retainer CPLG SST 5"  |
| 1   |              | O-ring EPDM 4¾" ID × 0.139CS  |
| 1   |              | Box Serv Parts 6 <sup>13</sup> / <sub>16</sub> × 5 <sup>5</sup> / <sub>16</sub> |

| QTY | PART NUMBER  | DESCRIPTION   |
|-----|--------------|---|
|     | 89975000-900 | Seal Kit 4380 3" Size: 0.625  |
| 1   |              | Pkg Seal 0.625 2A C-Ssc316EPDL  |
| 1   |              | Clamp-V-Retainer CPLG SST 3"  |
| 1   |              | O-ring EPDM 3.0" ID × 0.139CS   |
| 1   |              | Box Serv Parts 6 <sup>13</sup> / <sub>16</sub> × 5 <sup>5</sup> / <sub>16</sub> |
|     | 89975000-904 | Seal Kit 4380 3" (AC-SSC) Antimony Size: 0.625                                  |
| 1   |              | Pkg Seal 0.625 2A ACSSc316EPDM  |
| 1   |              | Clamp-V-Retainer CPLG SST 3"  |
| 1   |              | O-ring EPDM 3.0" ID × 0.139CS   |
| 1   |              | Box Serv Parts 6 <sup>13</sup> / <sub>16</sub> × 5 <sup>5</sup> / <sub>16</sub> |

**4372 & 4322 PART LIST**

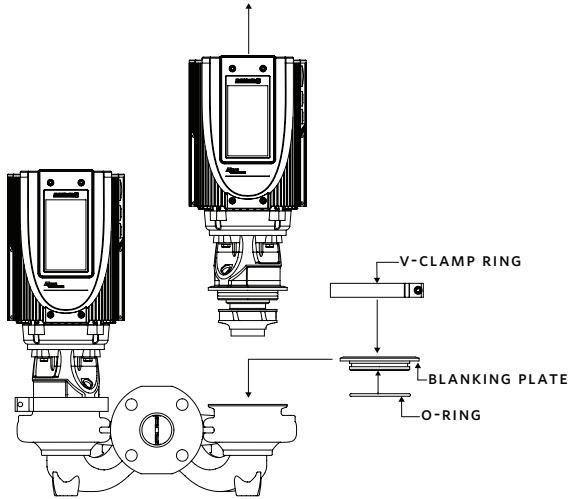


| ITEM | DESCRIPTION         |
|------|---------------------|
| 40   | Adapter             |
| 62   | Mechanical Seal Kit |
| 100  | Casing              |
| 101  | Casing Gasket       |
| 103  | V-Clamp Ring        |

| QTY | PART NUMBER | DESCRIPTION   |
|-----|-------------|---|
|     | 880000-004  | Seal & Blanking Plate Kit -3" 4372  |
| 1   |             | Pkg seal 0.625 2A C-SSC316EPDL  |
| 1   |             | Clamp-V-Retainer cplg sst 3"  |
| 1   |             | O-ring EPDM 3.0"ID x 0.139CS  |
| 1   |             | Blanking Plate - 3" V- Flange   |
| 1   |             | Box Serv Parts 6 <sup>13</sup> / <sub>16</sub> x 5 <sup>5</sup> / <sub>16</sub> |
|     | 880000-005  | Seal & Blanking Plate Kit (AC-SSC)-3" 4372 Antimony                             |
| 1   |             | Pkg Seal 0.625 2A ACSSC316EPDM  |
| 1   |             | Clamp-V-Retainer CPLG SST 3"  |
| 1   |             | O-ring EPDM 3.0"ID x 0.139CS  |
| 1   |             | Blanking Plate - 3" V- Flange   |
| 1   |             | Box Serv Parts 6 <sup>13</sup> / <sub>16</sub> x 5 <sup>5</sup> / <sub>16</sub> |
|     | 880000-006  | Seal & Blanking Plate Kit - 5" 4372   |
| 1   |             | Pkg Seal 0.750 2A C-SSC316EPDL  |
| 1   |             | Clamp-V-Retainer CPLG SST 5"  |
| 1   |             | O-ring EPDM 3.0"ID x 0.139CS  |
| 1   |             | Blanking Plate - 5" V- Flange   |
| 1   |             | Box Serv Parts 6 <sup>13</sup> / <sub>16</sub> x 5 <sup>5</sup> / <sub>16</sub> |

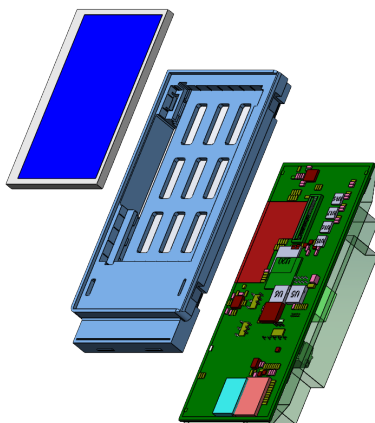
| QTY | PART NUMBER | DESCRIPTION   |
|-----|-------------|---|
|     | 880000-007  | Seal & Blanking Plate Kit (AC-SSC)-5" 4372 Antimony                             |
| 1   |             | Pkg Seal 0.750 2A ACSSC316EPDM  |
| 1   |             | Clamp-V-Retainer CPLG SST 5"  |
| 1   |             | O-ring EPDM 4 <sup>3</sup> / <sub>4</sub> "ID x 0.139CS                         |
| 1   |             | Blanking Plate - 5" V- Flange   |
| 1   |             | Box Serv Parts 6 <sup>13</sup> / <sub>16</sub> x 5 <sup>5</sup> / <sub>16</sub> |
|     | 880000-008  | Seal & Blanking Plate Kit 5" 4322   |
| 1   |             | Seal-Mech 0.750 AB2 C-SSC316-V  |
| 1   |             | Blanking Plate - 5" V- Flange   |
| 1   |             | Clamp-V-Retainer CPLG SST 5"  |
| 1   |             | O-ring EPDM 4 <sup>3</sup> / <sub>4</sub> "ID x 0.139CS                         |
| 1   |             | Box Serv Parts 6 <sup>13</sup> / <sub>16</sub> x 5 <sup>5</sup> / <sub>16</sub> |
|     | 880000-009  | Seal & Blanking Plate Kit (AC-SSC)-5" 4322 Antimony                             |
| 1   |             | Seal-Mech 0.750 AB2 ACSSC316-V  |
| 1   |             | Blanking Plate - 5" V- Flange   |
| 1   |             | Clamp-V-Retainer CPLG SST 5"  |
| 1   |             | O-ring EPDM 4 <sup>3</sup> / <sub>4</sub> "ID x 0.139CS                         |
| 1   |             | Box Serv Parts 6 <sup>13</sup> / <sub>16</sub> x 5 <sup>5</sup> / <sub>16</sub> |

**BLANKING PLATE KIT PARTS LIST**



| QTY | PART NUMBER | DESCRIPTION   |
|-----|-------------|---|
|     | 880000-001  | Blanking Plate -Kit 5" 4322/4372 (Tango)  |
| 1   |             | Blanking Plate - 5" V- Flange   |
| 1   |             | Clamp-V-Retainer CPLG SST 5"  |
| 1   |             | O-ring EPDM 4¾" ID × 0.139CS  |
| 1   |             | Box Serv Parts 6 <sup>13</sup> / <sub>16</sub> × 5 <sup>5</sup> / <sub>16</sub> |
|     | 880000-002  | Blanking Plate - Kit 3" 4322/4372 (Tango)                                       |
| 1   |             | Blanking Plate - 3" V- Flange   |
| 1   |             | Clamp-V-Retainer CPLG SST 3"  |
| 1   |             | O-ring EPDM 3.0" ID × 0.139CS   |
| 1   |             | Box Serv Parts 6 <sup>13</sup> / <sub>16</sub> × 5 <sup>5</sup> / <sub>16</sub> |

**PUMP CONTROL MODULE**



| ITEM | PART NUMBER | DESCRIPTION         |
|------|-------------|---------------------|
| ①    | 428612-000  | Pump Control Module |

**RED PLASTIC PART ASSEMBLIES****FULL ASSEMBLY PART # 428613-090 (IEC 90/90S)**

| QTY | DESCRIPTION                 |
|-----|-----------------------------|
| 1   | PCB                         |
| 1   | LCD TOUCHSCREEN             |
| 1   | HOLDER                      |
| 1   | BRACKET SUPPORT             |
| 4   | M5 HEX NUT                  |
| 1   | MYLAR                       |
| 1   | FRONT COVER GASKET          |
| 1   | FRONT COVER                 |
| 1   | FRONT CAP COVER             |
| 1   | GASKET FOR FRONT COVER      |
| 6   | ROUND HEX HEAD M4-0.7 × 8MM |
| 4   | M5 × 20                     |
| 2   | MOUNTING BRACKET            |
| 1   | BOX                         |
| 1   | I & O INSTRUCTIONS          |

**PART # ?**

| QTY | DESCRIPTION            |
|-----|------------------------|
| 1   | LCD TOUCHSCREEN        |
| 1   | HOLDER                 |
| 1   | BRACKET SUPPORT        |
| 4   | M5 HEX NUT             |
| 1   | MYLAR                  |
| 1   | GASKET FOR FRONT COVER |
| 4   | M5 × 20                |
| 2   | MOUNTING BRACKET       |
| 1   | BOX                    |
| 1   | I & O INSTRUCTIONS     |

**PART # ?**

| QTY | DESCRIPTION                 |
|-----|-----------------------------|
| 1   | FRONT COVER GASKET          |
| 1   | FRONT COVER                 |
| 1   | FRONT CAP COVER             |
| 6   | ROUND HEX HEAD M4-0.7 × 8MM |
| 1   | BOX                         |
| 1   | I & O INSTRUCTIONS          |

**FULL ASSEMBLY PART # 428613-112 (IEC 112)**

| QTY | DESCRIPTION                 |
|-----|-----------------------------|
| 1   | PCB                         |
| 1   | LCD TOUCHSCREEN             |
| 1   | HOLDER                      |
| 1   | BRACKET SUPPORT             |
| 4   | M5 HEX NUT                  |
| 1   | MYLAR                       |
| 1   | FRONT COVER GASKET          |
| 1   | FRONT COVER                 |
| 1   | FRONT CAP COVER             |
| 1   | GASKET FOR FRONT COVER      |
| 6   | ROUND HEX HEAD M4-0.7 × 8MM |
| 4   | M5 × 20                     |
| 2   | MOUNTING BRACKET            |
| 1   | BOX                         |
| 1   | I & O INSTRUCTIONS          |

**PART # ?**

| QTY | DESCRIPTION                 |
|-----|-----------------------------|
| 1   | FRONT COVER GASKET          |
| 1   | FRONT COVER                 |
| 1   | FRONT CAP COVER             |
| 6   | ROUND HEX HEAD M4-0.7 × 8MM |
| 1   | BOX                         |
| 1   | I & O INSTRUCTIONS          |

**PART # 428612-000**

| QTY | DESCRIPTION        |
|-----|--------------------|
| 1   | PCB                |
| 1   | LCD TOUCHSCREEN    |
| 1   | HOLDER             |
| 2   | MOUNTING BRACKET   |
| 1   | BOX                |
| 1   | I & O INSTRUCTIONS |

**TORONTO**

23 BERTRAND AVENUE  
TORONTO, ONTARIO  
CANADA  
M1L 2P3  
+1 416 755 2291

**BUFFALO**

93 EAST AVENUE  
NORTH TONAWANDA, NEW YORK  
U.S.A.  
14120-6594  
+1 716 693 8813

**BIRMINGHAM**

HEYWOOD WHARF, MUCKLOW HILL  
HALESOWEN, WEST MIDLANDS  
UNITED KINGDOM  
B62 8DJ  
+44 (0) 8444 145 145

**MANCHESTER**

WOLVERTON STREET  
MANCHESTER  
UNITED KINGDOM  
M11 2ET  
+44 (0) 8444 145 145

**BANGALORE**

#59, FIRST FLOOR, 3RD MAIN  
MARGOSA ROAD, MALLESWARAM  
BANGALORE, INDIA  
560 003  
+91 (0) 80 4906 3555

**SHANGHAI**

UNIT 903, 888 NORTH SICHUAN RD.  
HONGKOU DISTRICT, SHANGHAI  
CHINA  
200085  
+86 (0) 21 5237 0909

**SÃO PAULO**

RUA JOSÉ SEMIÃO RODRIGUES AGOSTINHO,  
1370 GALPÃO 6  
EMBU DAS ARTES  
SAO PAULO, BRAZIL  
+55 11 4781 5500

ARMSTRONG FLUID TECHNOLOGY  
ESTABLISHED 1934

ARMSTRONGFLUIDTECHNOLOGY.COM

**MAKING  
ENERGY  
MAKE  
SENSE™**