



## Fire Pump and System Part Kits

CATALOG

FILE NO: FO.50  
DATE: MAY 2024

SUPERSEDES: FO.50  
DATE: APRIL 2023

—

—

—

—

# CONTENTS

INTRODUCTION	4
4600 HSC FIRE PUMP PARTS KIT	5
4030 END SUCTION FIRE PUMP PARTS KIT	11
43F-LF VIL-FIRE PUMP PARTS KIT	13
43F VIL- FIRE PUMP PARTS KIT	14
GPX SERIES FIRE PUMP CONTROLLERS- SPARE PARTS KIT	15
GPD DIESEL ENGINE DRIVEN FIRE PUMP CONTROLLERS-SPARE PARTS KIT	15
JP- JOCKEY PUMP CONTROLLERS-SPARE PARTS KIT	15
CLARKE DIESEL ENGINE-MAINTENANCE KIT	16
KIRLOSKAR DIESEL ENGINE-MAINTENANCE KIT	17

**NOTE: USE CONFIGURATOR FOR CASING, IMPELLER**

## INTRODUCTION

**A**rmstrong was founded on the core values of Community, Service, Learning and Innovation. Reflecting our commitment to service, Armstrong now provides 360 Service and Support. Working collaboratively with the 'partner' companies in our network, we're ready to provide the service and support that customers need in relation to building performance.

A key part of serving our customers is providing Genuine Armstrong Replacement Parts to support installations of our products. But the value we provide goes beyond the quality of the replacement part.

With the availability of parts in packaged kits, you'll never have to leave a repair incomplete just because you didn't have all the pieces required for the job. And you won't have to pay a premium for rush delivery of additional parts.

Your customers will be happier, because their mechanical systems will be returned to service earlier. That means you'll be more likely to get their repeat business.

The Armstrong replacement parts program serves contractors and end customers through a combination of: Availability, Easy Selection, Easy Transactions, Quick Delivery and Technical Support.

### AVAILABILITY

- Dedicated service parts inventory
- Real-time inventory information
- Active channel inventory management

### EASY SELECTION

- Parts selection charts with updated descriptions, pictures and sizing details
- Illustrated part selection information
- Product details on packaging
- All items within each Parts Kit are carefully selected for accurate sizing

### EASE OF TRANSACTION

- Parts and Kits available in [ADEPT](#) Locator tool for local parts dealers
- Complete parts kits reduce the work to source items.
- One search and one order address a service issue

### QUICK DELIVERY OF PARTS SOLUTIONS

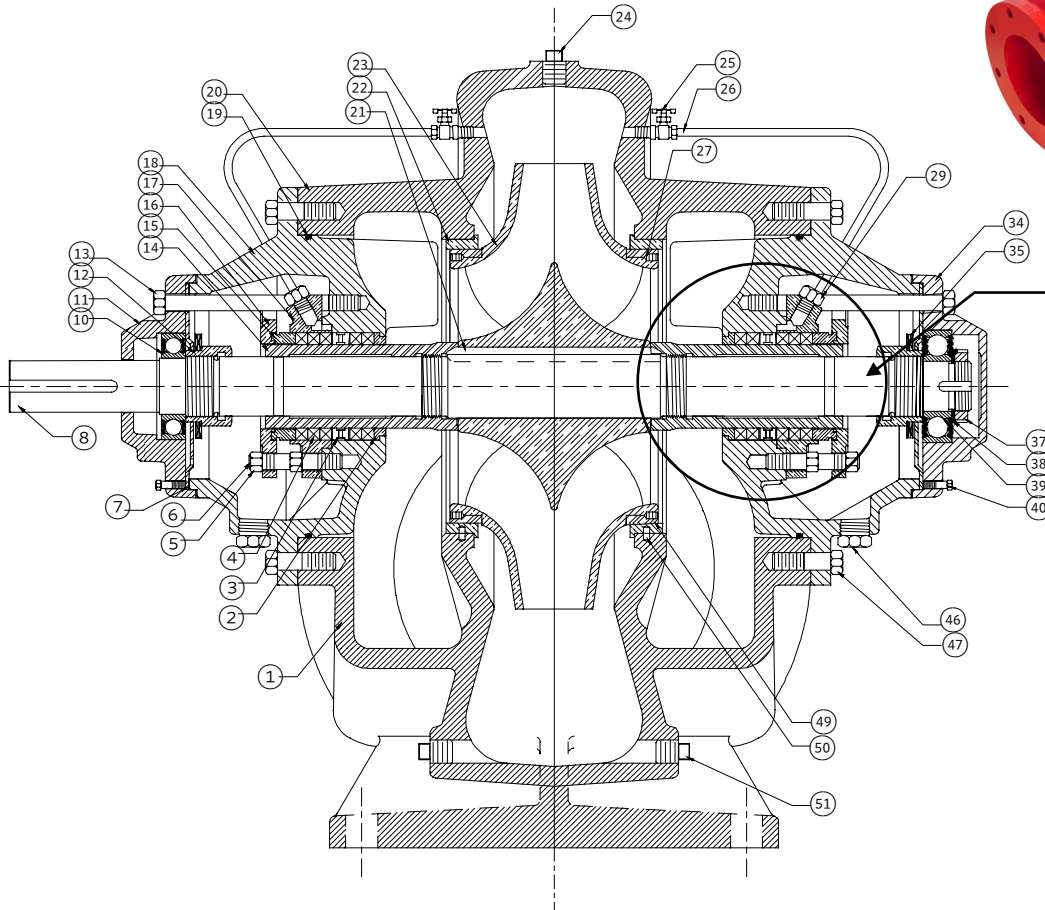
- On-time shipment
- Options for shipping service levels
- Parts Kits include all parts and related items required to complete replacement work

### SUPPORT

- Trained Armstrong support professionals
- Dedicated 24x7 service and support parts

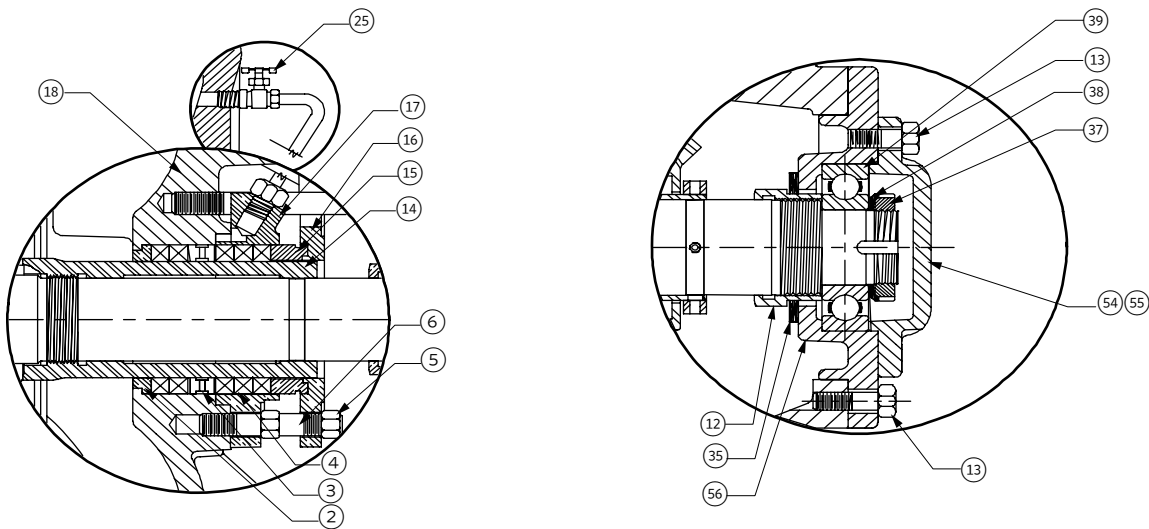
### 4600 HSC FIRE PUMP PARTS KIT

#### SECTIONAL VIEW



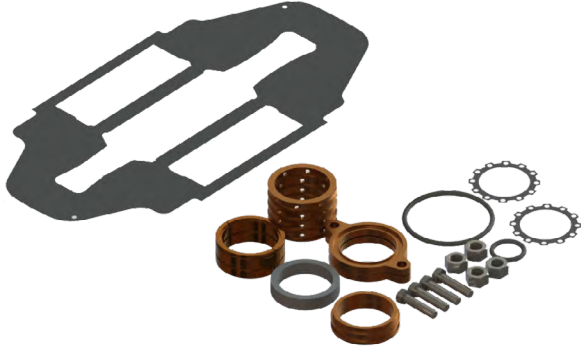
PACKING GLAND  
CUTAWAY VIEWS

#### SEALING AND BEARING HOUSING ARRANGEMENTS



PACKING GLAND

## STANDARD REPAIR KIT



## KIT CONTAINS

ITEM NUMBER	DESCRIPTION	QTY
3	Lantern ring	4
15	Split ring	2
16	Packing gland plate	2
6	Gland studbolt	4
5	Gland stud nut	4
-	Casing gasket	1
4	Packing graphite	120 (inches)
Not shown	Stuffing box extension gasket	2
2	Stuffing box bushing	2
53	Impeller lock nut o-ring	2
19A	Stuffing box gasket	2
19	Stuffing box o-ring	2

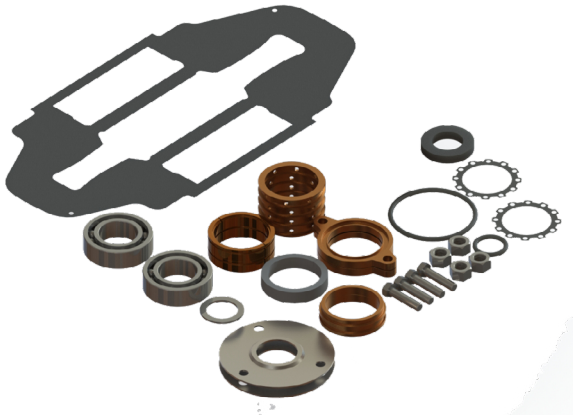
## KIT PART NUMBERS

PUMP SIZE	PART NUMBER
5x4x10	850504-100
5x4x12	850504-120
5x4x17	850504-170
6x5x9.5	850605-090
6x5x10	850605-100
6x5x12	850605-120
6x5x15	850605-150
8x6x10	850806-100
8x6x12.5	850806-120
8x6x15	850806-150
8x6x16	850806-160
10x8x11	851008-110
10x8x14	851008-140
12x8x18	851208-180

NOTE: KIT IS COMMON FOR F, LF, MF, HF & NF PUMP SIZES ALSO.

PUMPS	14x10x20F	10x8x20F	12x8x20F	12x8x18NF
KIT PART NUMBER	851410-201	851008-201	851208-201	851208-184
ITEM DESCRIPTION	QTY			
Lantern ring	4	2	4	4
Split ring	Not in Use	2	2	2
Packing gland plate	2	2	2	2
Gland stud bolt	4	4	4	4
Gland stud nut	Not in Use	4	Not in Use	Not in Use
Casing gasket	1	1	1	1
Packing graphite	200 inches	120 inches	120 inches	120 inches
Stuffing box extension gasket	Not in Use	Not in Use	Not in Use	2
Stuffing box bushing	2	2	2	2
Impeller lock nut o-ring	2	2	2	2
Stuffing box gasket	2	2	2	2
Stuffing box o-ring	4	4	4	4

**MINOR REPAIR KIT**



**KIT CONTAINS**

(Includes below parts with standard repair kit )

ITEM NUMBER	DESCRIPTION	QTY
35	Deflector inboard (water slinger)	2
10	Ball bearing inboard	1
39	Ball bearing outboard	1
38	Bearing locknut	1
37	Bearing locknut washer	1
7	Bearing retainer*	2

**KIT PART NUMBERS**

PUMP SIZE	PART NUMBER
5x4x10	850504-101
5x4x12	850504-121
5x4x17	850504-171
6x5x9.5	850605-091
6x5x10	850605-101
6x5x12	850605-121

**KIT PART NUMBERS**

PUMP SIZE	PART NUMBER
6x5x15	850605-151
8x6x10	850806-101
8x6x12.5	850806-121
8x6x15	850806-151
8x6x16	850806-161
10x8x11	851008-111

**KIT PART NUMBERS**

PUMP SIZE	PART NUMBER
10x8x14	851008-141
12x8x18	851208-181
14x10x20F	851410-202
10x8x20F	851008-202
12x8x20F	851208-202
12x8x18NF	851208-185

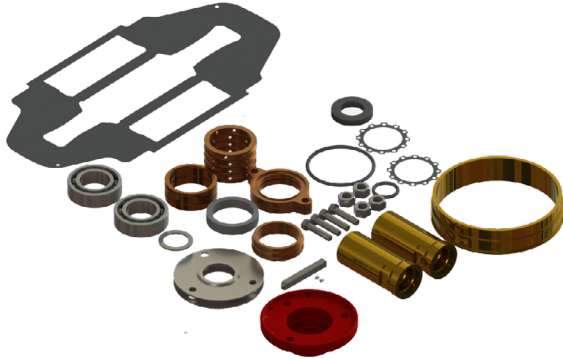
**NOTES:**

KIT IS COMMON FOR F, LF, MF, HF & NF PUMP SIZES ALSO.

\* BEARING RETAINER - NOT IN USE FOR PUMP SIZE - 14X10X20F; 10X8X20F; 12X8X20F; 12X8X18NF  
FOR OTHER REPLACEMENTS, PLEASE CONTACT ARMSTRONG CUSTOMER SERVICE.



8

**MAJOR REPAIR KIT****KIT CONTAINS**

(Includes below parts with standard repair kit and minor repair kit)

ITEM NUMBER	DESCRIPTION	QTY
22	Casing wear ring	2
14	Shaft sleeve	2
21	Impeller key	1
50	Casing wear ring lock pin	2
11	Inboard bearing housing	1
	Outboard bearing housing**	1

**KIT PART NUMBERS**

PUMP SIZE	PART NUMBER
5x4x10	850504-102
5x4x12	850504-122
5x4x17	850504-172
6x5x9.5	850605-092
6x5x10	850605-102
6x5x12	850605-122
6x5x15	850605-152

**KIT PART NUMBERS**

PUMP SIZE	PART NUMBER
8x6x10	850806-102
8x6x12.5	850806-122
8x6x15	850806-152
8x6x16	850806-162
10x8x11	851008-112
10x8x14	851008-142
10x8x14NF*	851008-145

**KIT PART NUMBERS**

PUMP SIZE	PART NUMBER
12x8x18	851208-182
14x10x20F	851410-203
10x8x20F	851008-203
12x8x20F	851208-203
12x8x18NF	851208-186

**NOTE:**

KIT IS COMMON FOR F, LF, MF, HF & NF PUMP SIZES ALSO.

\* DEDICATED KIT NUMBER

\*\* OUTBOARD BEARING HOUSING - IS AVAILABLE IN THESE PUMP SIZE - 14X10X20F; 10X8X20F; 12X8X20F; 12X8X18NF



**HSC PUMP PACKING KIT WITH HARDWARE**



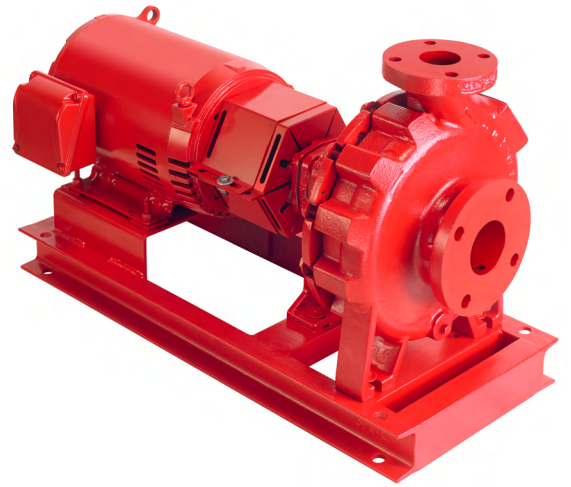
PUMP SIZE	KIT PART NUMBER	KIT DESCRIPTION	QTY	INCLUDES
5x4x10NF	880000-070K	Kit pkg 3/8 ltrn 2 5/8 w/hardware	1	Lantern ring, Packing graphite, Gland studbolt & Nut
5x4x10				
6x5x9.5				
6x5x10				
8x6x10NF				
8x6x10				
10x8x11				
5x4x12				
5x4x17				
6x5x12F				
6x5x12				
8x6x12.5				
10x8x14NF				
10x8x14				
6x5x15NF				
6x5x15				
8x6x15NF				
8x6x15				
8x6x16				
14x10x20F	851410-206	Kit pkg 5/8 ltrn 4 3/8 w/hardware	1	Lantern ring, Packing graphite & Gland studbolt
10x8x20F	880000-071K	Kit pkg 3/8 ltrn 3 w/hardware	1	Lantern ring, Packing graphite & Gland studbolt
12x8x18				
12x8x20F				
12x8x18NF				

10

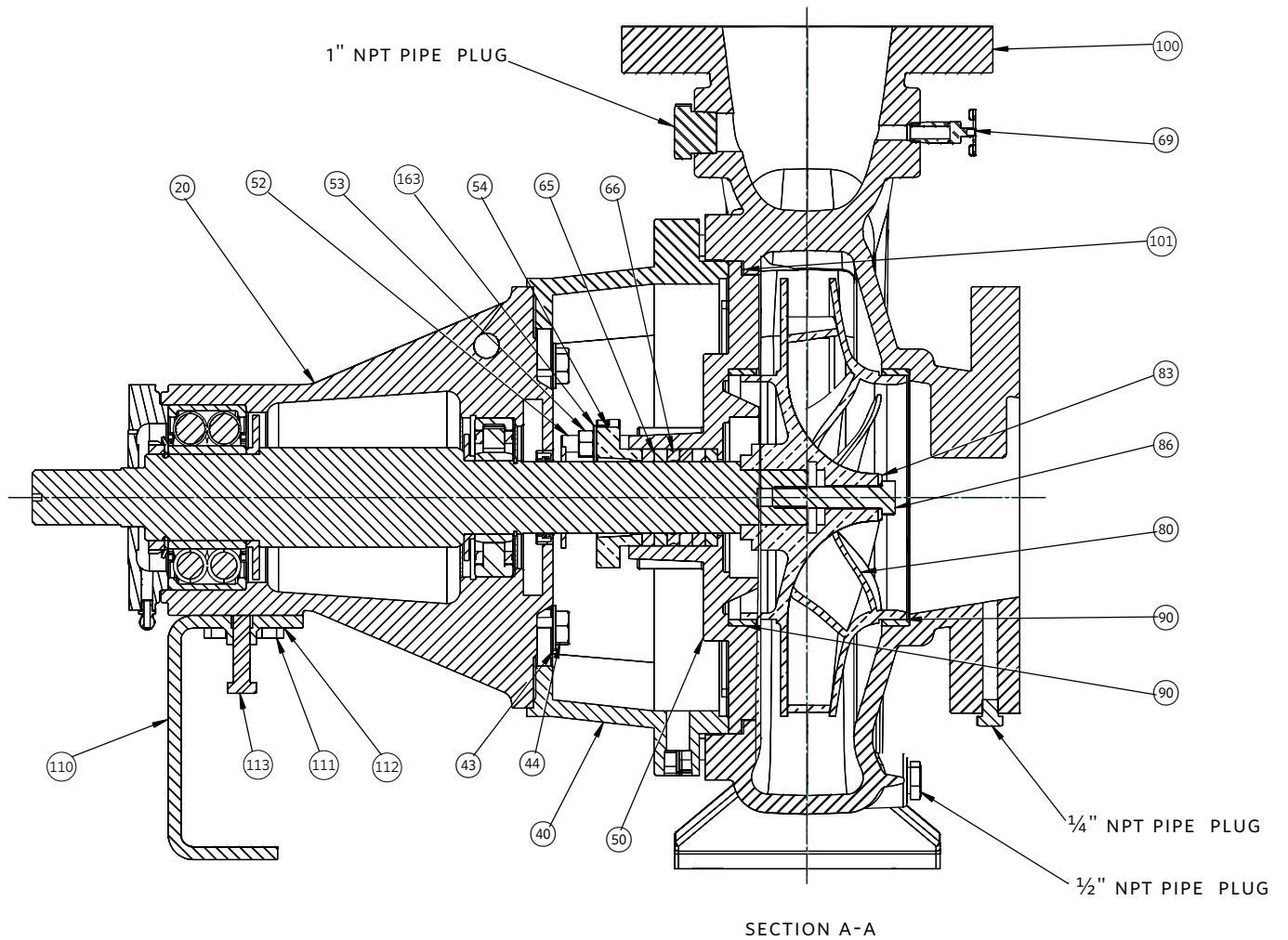
**HSC PUMP BEARING KIT**

PUMP SIZE	KIT PART NUMBER	KIT DESCRIPTION	QTY	INCLUDES
5x4x10NF	880000-068K	Kit Bearing 45mm 6209 & 40mm 6308	1	Ball bearing inboard, Ball bearing outboard, water slinger
5x4x10				
6x5x9.5				
6x5x10				
8x6x10NF				
8x6x10				
10x8x11				
5x4x12				
5x4x17				
6x5x12F				
6x5x12				
8x6x12.5				
10x8x14NF				
10x8x14				
6x5x15NF				
6x5x15				
8x6x15NF				
8x6x15				
8x6x16				
12x8x18				
14x10x20F	851410-205	Kit Bearing 75mm 6215 & 70mm 6314	1	Ball bearing inboard, inboard water slinger
10x8x20F	880000-069K	Kit Bearing 55mm 6211 & 45mm 6309	1	Ball bearing outboard, inboard water slinger
12x8x20F				
12x8x18NF				

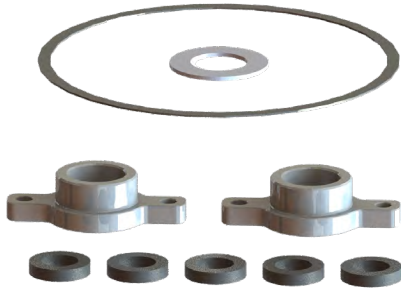
END SUCTION FIRE PUMP PARTS KIT



SECTIONAL VIEW



## STANDARD REPAIR KIT



## KIT CONTAINS

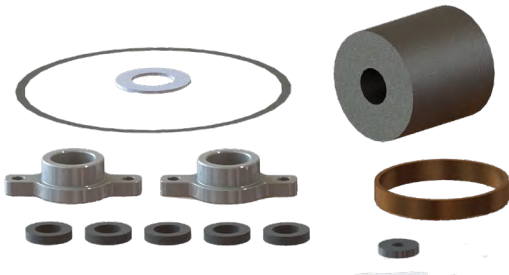
ITEM NUMBER	DESCRIPTION	QTY
Not shown	Casing gaskets	1
65	Packing ring	5
54	Gland plate	2
Not shown	Water slinger	1

## KIT PART NUMBERS

PUMP SIZE	PART NUMBER
4x3x8.5	890403-080
4x3x13	890403-130
5x4x11.5	890504-110
6x5x13	890605-130
8x5x11.5	890805-110
8x6x13	890806-130

NOTE: KIT IS COMMON FOR F, LF, MF, HF & NF PUMP SIZES ALSO.

## MINOR REPAIR KIT



KIT CONTAINS (Includes below parts with standard repair kit )

ITEM NUMBER	DESCRIPTION	QTY
70	Shaft sleeve	1
91	Wear ring (casing)	1
66	Lantern ring	1
83	Impeller washer	1

## KIT PART NUMBERS

PUMP SIZE	PART NUMBER
4x3x8.5	890403-081
4x3x13	890403-131
4x3x13NF*	890403-134
5x4x11.5	890504-111

## KIT PART NUMBERS

PUMP SIZE	PART NUMBER
6x5x13	890605-131
8x5x11.5	890805-111
8x6x13	890806-131

NOTE: KIT IS COMMON FOR F, LF, MF, HF & NF PUMP SIZES ALSO.

\* DEDICATED KIT NUMBER

## END SUCTION FIRE PUMP PACKING KIT

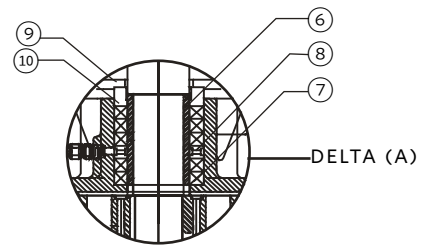
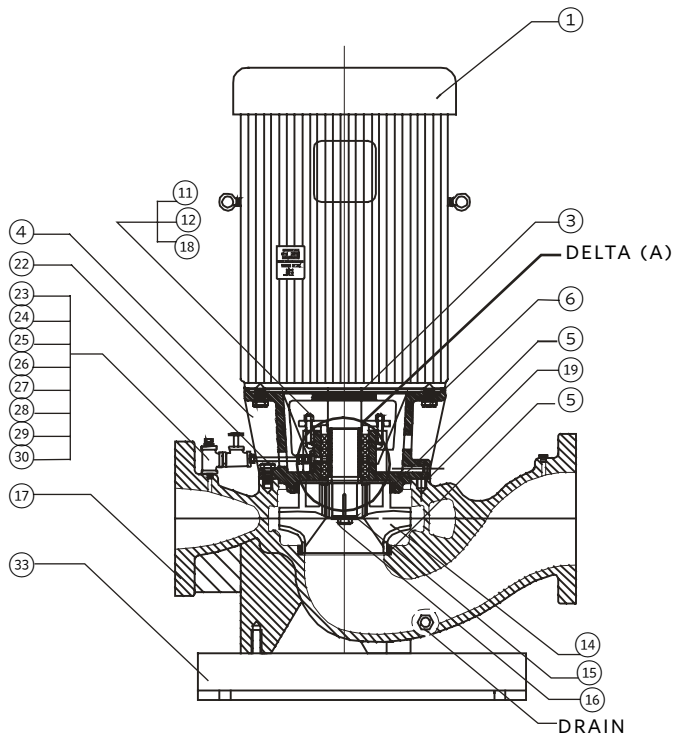


PUMP SIZE	KIT PART NUMBER	KIT DESCRIPTION	QTY	INCLUDES
4x3x8.5	890403-082	Kit Packing ring 1 $\frac{3}{4}$ id x $\frac{3}{8}$ sq	1	Lantern ring & Packing graphite
4x3x13	880000-072K	Kit Packing ring 2 $\frac{1}{8}$ id x $\frac{3}{8}$ thk	1	Lantern ring & Packing graphite
5x4x11.5				
6x5x13				
8x5x11.5				
8x6x13				

NOTES: For other replacements, please contact Armstrong Customer Service.

### 43F-LF VIL-FIRE PUMP PARTS KIT

#### SECTIONAL VIEW



#### KIT CONTAINS

ITEM NUMBER	DESCRIPTION	QTY
19	Volute gasket	2
3	Water slinger	1
7	Packing	Set
8	Lantern ring	Set
12	Packing gland washer	2
13	Packing gland bolt	2
11	Packing gland nut	2
5	Volute wear ring	1

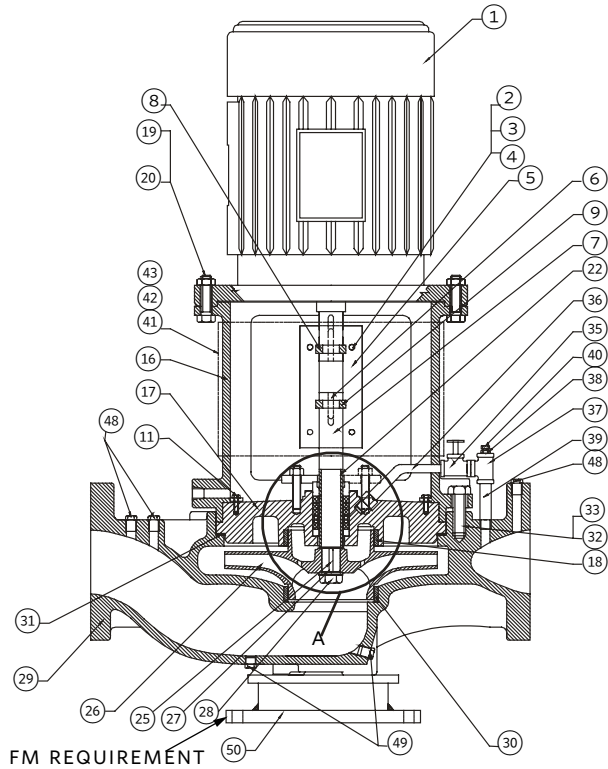
#### KIT PART NUMBERS

PUMP SIZE	PART NUMBER	QTY REQUIRED
2x1½LA-F	800215-080	1
6x5LF-F	800605-120	
6x4LA/B-F	800604-080	

**NOTES:** For other replacements, please contact Armstrong Customer Service.

**43F VIL- FIRE PUMP PARTS KIT**

**SECTIONAL VIEW**



**KIT CONTAINS**

ITEM NUMBER	DESCRIPTION	QTY
31	Volute gasket	1
3	Water slinger	1
23	Packing	4
24	Lantern ring	1
14	Packing gland washer	2
15	Packing gland bolt	2
13	Packing gland nut	2
30	Volute wear ring	1

**KIT PART NUMBERS**

PUMP SIZE	PART NUMBER	QTY REQUIRED
2x2x8	800202-080	1
3x3x8	800303-080	
5x5x8	800505-080	
8x8x13	800808-130	
8x8x15	800808-150	

**NOTES:** For other replacements, please contact Armstrong Customer Service.

**GPX SERIES FIRE PUMP CONTROLLERS-SPARE PARTS KIT**

**RECOMMENDED SPARE PARTS KITS FOR GPX SERIES FULL SERVICE FIRE PUMP CONTROLLERS WITH VIZITOUCH V2 OPERATOR INTERFACE**



COMPONENT	DRAWING IDENTIFICATION	KIT NUMBERS		
		9981100-142	9981100-143	9981100-144
		1 YEAR	3 YEAR	5 YEAR
QTY REQUIRED				
I/O Board	I/O Electric Board	1	1	2
Power Relay	CR4-CR5	1	1	1
Pressure Transducer	PT1		1	1
Main Mother Board w/Operator Interface	ViZiTouch Operator Interface			1
Surge Arrestor	SA			1
Main Disconnect Handle	IS			1

**NOTE:** 'X' Denotes following Electric Fire controller connections GPA, GPP, GPR, GPS, GPW, GPY, GPL

GPA – Across the line      GPP – Part Winding      GPR – Auto Transformer      GPS – Soft Starter      GPW – Wye-Delta Closed  
 GPY – Wye-Delta Open      GPL – Limited Service

**GPD DIESEL ENGINE DRIVEN FIRE PUMP CONTROLLERS-SPARE PARTS KIT**

**RECOMMENDED SPARE PARTS KITS FOR MODEL GPD DIESEL ENGINE DRIVEN FIRE PUMP CONTROLLERS WITH VIZITOUCH V2 OPERATOR INTERFACE**



COMPONENT	DRAWING IDENTIFICATION	KIT NUMBERS		
		9981100-145	9981100-146	9981100-147
		1 YEAR	3 YEAR	5 YEAR
QTY REQUIRED				
I/O Board	I/O Diesel Board	1	1	1
Battery Charger Fuses	—	2	4	4
Circuit Breaker	CB3 CB4		1	1
Battery Charger Board	BCE		1	1
Pressure Transducer	PT1		1	1
Solenoid Valve	SVI		1	1
Main Mother Board w/Operator Interface	ViZiTouch Operator Interface			1

**JP- JOCKEY PUMP CONTROLLERS-SPARE PARTS KIT**

**RECOMMENDED SPARE PARTS KITS FOR MODEL JP JOCKEY PUMP CONTROLLERS**



COMPONENT	DRAWING IDENTIFICATION	KIT NUMBERS		
		9981100-148	9981100-149	9981100-150
		1 YEAR	3 YEAR	5 YEAR
QTY REQUIRED				
Control Transformer	XTR	1	1	1
Control Power Fuses	FU1	2	2	4
Pressure Transducer	PT1		1	1
Main Circuit Board	IPD			1
Disconnect Switch Handle	DS			1



**CLARKE DIESEL ENGINE-MAINTENANCE KIT****KIT CONTAINS**

DESCRIPTION	MAINTENANCE KIT
Air Filter	1 Year
Oil Filter	
Fuel Filter	
Zinc Electrode	

**KIT PART NUMBERS**

ENGINE MODEL	PART NUMBER	ENGINE MODEL	PART NUMBER	ENGINE MODEL	PART NUMBER
KA4H-UFKA34	9981100-151	DP6H-UFAA62	9981100-190	JU6H-UFADPO	9981100-229
JU4H-UF14	9981100-152	DP6H-UFAA88	9981100-191	JU6H-UFADP8	9981100-230
JU4H-UF24	9981100-153	DP6H-UFAAX8	9981100-192	JU6H-UFADQ0	9981100-231
JU4H-UF34	9981100-154	DP6H-UFAA70	9981100-193	JU6H-UFAD88	9981100-232
JU4H-UF54	9981100-155	DQ6H-UFAA50	9981100-194	JU6H-UFADR8	9981100-233
JU6H-UF34	9981100-156	DQ6H-UFAA60	9981100-195	JU6H-UFADRO	9981100-234
JU6H-UF54	9981100-157	DQ6H-UFAA88	9981100-196	JU6H-UFADS8	9981100-235
JU6H-UF84	9981100-158	DQ6H-UFAA98	9981100-197	JU6H-UFADT0	9981100-236
JU6H-UF94	9981100-159	JW6H-UFAA60	9981100-198	JU6H-UFADW8	9981100-237
JU4H-UF10	9981100-160	DR8H-UFAA40	9981100-199	JU6H-UFADX8	9981100-238
JU4H-UF12	9981100-161	DR8H-UFAA5G	9981100-200	JU6H-UFAD98	9981100-239
JU4H-UF20	9981100-162	DR8H-UFAA68	9981100-201	JW6H-UFADFO	9981100-240
JU4H-UF22	9981100-163	DR8H-UFAA62	9981100-202	JW6H-UFADJO	9981100-241
JU4H-UFHO	9981100-164	DSOH-UFAAMO	9981100-203	JW6H-UFAD70	9981100-242
JU4H-UFH2	9981100-165	DSOH-UFAANO	9981100-204	JW6H-UFAD80	9981100-243
JU4H-UF40	9981100-166	DSOH-UFAA68	9981100-205	C18HO-UFAD12	9981100-244
JU4H-UF42	9981100-167	DSOH-UFAA60	9981100-206	C18HO-UFAD18	9981100-245
JU4H-UF58	9981100-168	DSOH-UFAA98	9981100-207	C18HO-UFAD10	9981100-246
JU4H-UF50	9981100-169	DSOH-UFAA92	9981100-208	C18HO-UFAD22	9981100-247
JU4H-UF52	9981100-170	DT2H-UFAA58	9981100-209	C18HO-UFAD28	9981100-248
JU6H-UFDO	9981100-171	DT2H-UFAA50	9981100-210	C18HO-UFAD20	9981100-249
JU6H-UFD2	9981100-172	DT2H-UFAA88	9981100-211	C18HO-UFAD32	9981100-250
JU6H-UF30	9981100-173	DT2H-UFAA60	9981100-212	C18HO-UFAD38	9981100-251
JU6H-UF32	9981100-174	DT2H-UFAA98	9981100-213	C18HO-UFAD30	9981100-252
JU6H-UFM8	9981100-175	DT2H-UFAA92	9981100-214	C18HO-UFAD42	9981100-253
JU6H-UFM0	9981100-176	JU4H-UFAEAO	9981100-215	C18HO-UFAD48	9981100-254
JU6H-UFM2	9981100-177	JU4H-UFAEE8	9981100-216	C18HO-UFAD40	9981100-255
JU6H-UF58	9981100-178	JU4H-UFAEF2	9981100-217	C18HO-UFAD58	9981100-256
JU6H-UF50	9981100-179	JU4H-UFADJ8	9981100-218	C18HO-UFAD50	9981100-257
JU6H-UF52	9981100-180	JU4H-UFADJ2	9981100-219	C18HO-UFAD68	9981100-258
JU6H-UF60	9981100-181	JU4H-UFAD5G	9981100-220	C18HO-UFAD78	9981100-259
JU6H-UF62	9981100-182	JU4H-UFADPO	9981100-221	C18HO-UFAD70	9981100-260
JU6H-UFAAPG	9981100-183	JU4H-UFADRO	9981100-222	C18HO-UFAA78	9981100-261
JU6H-UFAAQ8	9981100-184	JU4H-UFADW8	9981100-223	C18HO-UFAC18	9981100-262
JU6H-UFAARG	9981100-185	JU4H-UFADY8	9981100-224	C18HO-UFAC10	9981100-263
JU6H-UFAASO	9981100-186	JU4H-UFAD98	9981100-225	C18HO-UFAC28	9981100-264
JU6H-UFAATO	9981100-187	JU6H-UFADMG	9981100-226	C18HO-UFAC20	9981100-265
JU6H-UFAAT2	9981100-188	JU6H-UFADNG	9981100-227		
JU6H-UFAAT8	9981100-189	JU6H-UFADNO	9981100-228		

**KIRLOSKAR DIESEL ENGINE-MAINTENANCE KIT****MAINTENANCE KIT 1 YEAR**

ENGINE	KFP4R-UF05	FM-UL KFP4R-UF08	FM-UL KFP4R-UF16R2	FM-UL KFP4R-UF16R1	FM-UL KFP6R-UF26R2	FM-UL KFP6R-UF26R1	FM-UL KFP6S-UF35	KFP4R-UF07	KFP4R-UF15	KFP6R-UF25
KIT NUMBER	9981100-266	9981100-267	9981100-268	9981100-269	9981100-270	9981100-271	9981100-272	9981100-273	9981100-274	9981100-275
DESCRIPTION	PART APPLICABILITY									
Oil seal (65x85x13)	✓	✓	✓	✓				✓	✓	
Stop solenoid FMUL without spring 12V	✓	✓						✓		
Lube oil pressure sensor	✓	✓	✓	✓	✓	✓	✓	✓	✓	✓
Temperature switch engine coolant	✓	✓	✓	✓	✓	✓		✓	✓	✓
Temperature switch engine coolant low	✓	✓	✓	✓	✓	✓		✓	✓	✓
Oil seal (115x140x12)		✓	✓	✓	✓	✓		✓	✓	✓
Fuel stop solenoid assembly			✓	✓	✓	✓				
Gear end oil seal (80x105x12)					✓	✓				
Thermostat element (74°)	✓	✓	✓	✓	✓	✓	✓	✓	✓	✓
Teflon oil seal FWE (150x120x13.5)							✓			
Teflon oil seal GE (100x75x10)							✓			
Engine coolant temprature switch							✓			
Fuel stop solenoid assembly							✓			
Hose pipe	✓									
Hose HE to thermostat	✓									
Hose, header to coolant heater.	✓									
Hose coolant heater to water pump	✓									
Hose for breather (connecting to bend pipe)	✓									
Thermostat Bypass hose		✓	✓	✓	✓			✓	✓	✓
Hose coolant heater to cylinder head		✓	✓	✓				✓	✓	
Hose (H.Exchange to w.Pump)		✓						✓		
Hose thermostat to HE S/F FMUL engine		✓						✓		
Flexible hose ¾" BSP both side S/F 4R1040NA cooling line.		✓						✓		
Hose for turbo drain pipe			✓	✓					✓	
Hose HE to water pump S/F 3000rpm.			✓	✓					✓	



**MAINTENANCE KIT 2 YEAR**

ENGINE	KFP4R- UFO5	FM-UL KFP4R- UFO8	FM-UL KFP4R- UF16R2	FM-UL KFP4R- UF16R1	FM-UL KFP6R- UF26R2	FM-UL KFP6R- UF26R1	FM-UL KFP6S- UF35	KFP4R- UFO7	KFP4R- UF15	KFP6R- UF25
KIT NUMBER	9981100- 276	9981100- 277	9981100- 278	9981100- 279	9981100- 280	9981100- 281	9981100- 282	9981100- 283	9981100- 284	9981100- 285
DESCRIPTION	PART APPLICABILITY									
Spin on filter for lubricating oil	✓									
Fuel filter 0.6 Ltrs. Single bowl spin on	✓	✓	✓	✓	✓			✓	✓	✓
Fuel filter element	✓	✓	✓	✓	✓	✓		✓	✓	✓
V belt spax 118o cogged	✓									
Air cleaner assembly, s/F fire fighting.	✓	✓						✓		
Spin on filter for lubricating oil		✓	✓	✓	✓	✓	✓	✓	✓	✓
V belt xPA 128o		✓	✓	✓	✓	✓		✓	✓	✓
Air cleaner assembly, s/F fire fighting			✓	✓					✓	
O'ring (for centrifuge filter)					✓	✓	✓			✓
Air cleaner assembly, s/F fire fighting					✓	✓				✓
Primary element							✓			
Secondary element							✓			
Rofan automotive v-belt (AVX 13x1562 length)							✓			
Spin on fuel filter (twin bowl, 0.6 Lit.)							✓			

**TORONTO**

23 BERTRAND AVENUE,  
TORONTO, ONTARIO,  
CANADA, M1L 2P3  
+1 416 755 2291

**BUFFALO**

93 EAST AVENUE, NORTH  
TONAWANDA, NEW YORK,  
U.S.A., 14120-6594  
+1 716 693 8813

**DROITWICH SPA**

POINTON WAY, STONEBRIDGE CROSS  
BUSINESS PARK, DROITWICH SPA,  
WORCESTERSHIRE,  
UNITED KINGDOM, WR9 0LW  
+44 121 550 5333

**MANCHESTER**

WOLVERTON STREET, MANCHESTER  
UNITED KINGDOM, M11 2ET  
+44 161 223 2223

**BANGALORE**

#18, LEWIS WORKSPACE, 3<sup>RD</sup> FLOOR,  
OFF MILLERS - NANDIDURGA ROAD,  
JAYAMAHAL CBD, BENSON TOWN,  
BANGALORE, INDIA 560 046  
+91 80 4906 3555

**SHANGHAI**

UNIT 903, 888 NORTH SICHUAN RD.  
HONGKOU DISTRICT, SHANGHAI  
CHINA, 200085  
+86 21 5237 0909

**BEIJING**

ROOM 1612, NANYIN BUILDING NO.2  
NORTH EAST THRID RING ROAD  
CHAOYANG DISTRICT, BEIJING,  
CHINA 100027  
+86 21 5237 0909

**SÃO PAULO**

RUA JOSÉ SEMIÃO RODRIGUES  
AGOSTINHO, 1370 GALPÃO 6 EMBU  
DAS ARTES, SAO PAULO, BRAZIL  
+55 11 4785 1330

**LYON**

93 RUE DE LA VILLETTE  
LYON, 69003 FRANCE  
+33 4 20 10 26 21

**DUBAI**

JAFZA VIEW 19, OFFICE 402  
P.O.BOX 18226 JAFZA,  
DUBAI - UNITED ARAB EMIRATES  
+971 4 887 6775

**JIMBOLIA**

STR CALEA MOTILOR NR. 2C  
JIMBOLIA 305400, JUD.TIMIS  
ROMANIA  
+40 256 360 030

**FRANKFURT**

WESTERBACHSTRASSE 32,  
D-61476 KRONBERG IM TAUNUS  
GERMANY  
+49 6173 999 77 55

## FOR SERVICE RELATED PARTS & KITS

Use ADEPT Select to quickly and easily select.

Visit [adept.armstrongfluidtechnology.com](http://adept.armstrongfluidtechnology.com) to learn more



---

## FOR MORE INFORMATION,

Contact your Armstrong Representative or visit us at  
[ArmstrongFluidTechnology.com/ContactUs](http://ArmstrongFluidTechnology.com/ContactUs)

