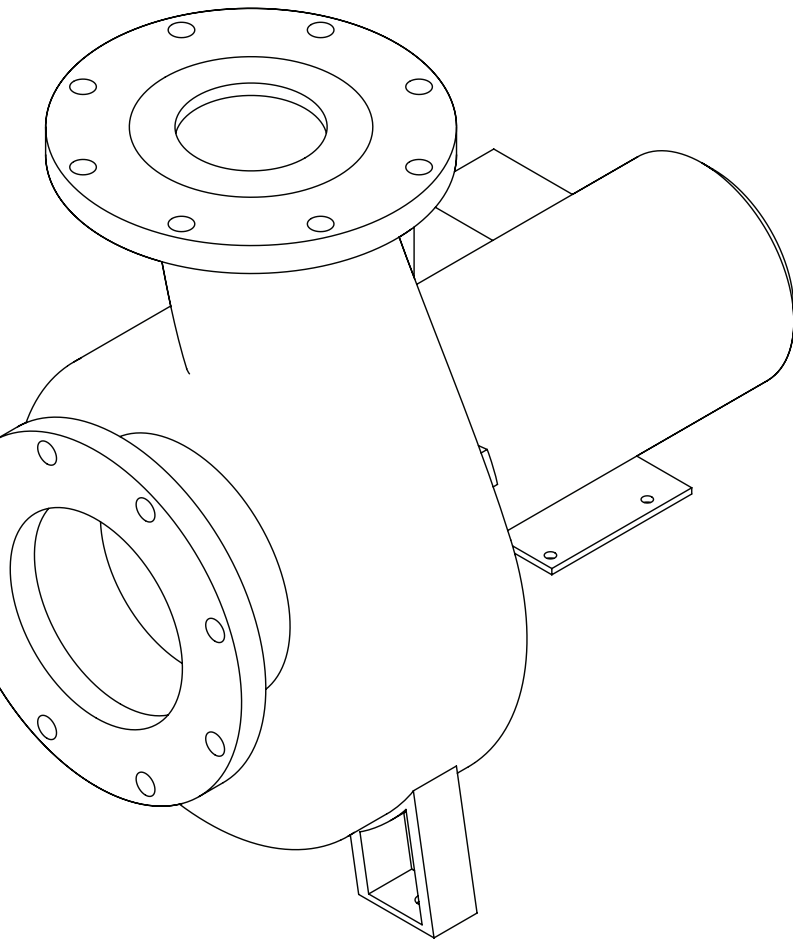


Series 4280-50

End-suction close
coupled pumping units
NSF-50 listed for pool
& spa applications

Parts list

File No: 6042.129
Date: JUNE 02, 2015
Supersedes: NEW
Date: NEW



4280-50 POWER FRAMES: ALL SPEEDS

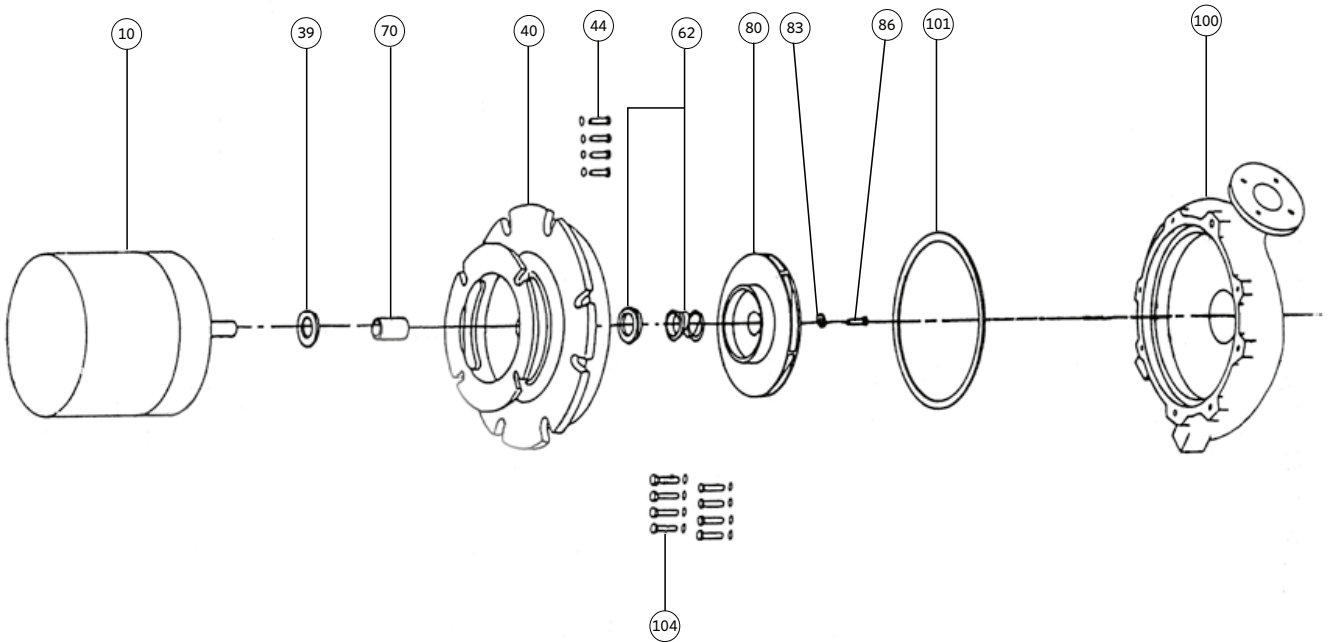
SPEED	MOTOR HORSEPOWER																			
	0.75	1	1.5	2	3	5	3	5	7.5	10	15	20	25	30	40	50	60	25	30	
1150 RPM																				
1750 RPM	1	1.5 & 2	3	5	7.5	10	15	20	25	30	40	50	60	25	30	40	50			
3500 RPM	1.5	2 & 3	5	7.5	10	15	20	25	30	40	50	60	25	30	40	50	60			
FRAME	143JM	145JM	182JM	184JM	213JM	215JM	213JP	215JP	254JM	256JM	284JM	286JM	284JP	286JP	324JM	326JM	324JP	326JP		
PUMP SIZE																				
1.5 x 1 x 6	S	S	S	S	S	S	S	S	S	S	S	S	S	S	S	S	S	S	S	S
3 x 1.5 x 6	S	S	S	S	S	S	S	S	S	S	S	S	S	S	S	S	S	S	S	S
3 x 2 x 6	S	S	S	S	S	S	S	S	S	S	S	S	S	S	S	S	S	S	S	S
3 x 2.5 x 6	S	S	S	S	S	S	S	S	S	S	S	S	S	S	S	S	S	S	S	S
4 x 3 x 6	S	S	S	S	S	S	S	S	S	S	S	S	S	S	S	S	S	S	S	S
1.5 x 1 x 8	S	S	S	S	S	S	S	S	S	S	S	S	S	S	S	S	S	S	S	S
3 x 1.5 x 8	S	S	S	S	S	S	S	S	S	S	S	S	S	S	S	S	S	S	S	S
3 x 2 x 8	S	S	S	S	S	S	S	S	S	S	S	S	S	S	S	S	S	S	S	S
3 x 2.5 x 8	S	S	S	S	S	S	S	S	S	S	S	S	S	S	S	S	S	S	S	S
4 x 3 x 8	S	S	S	S	S	S	S	S	S	S	S	S	S	S	S	S	S	S	S	S
5 x 4 x 8	S	S	S	S	S	S	S	S	S	S	S	S	S	S	S	S	S	S	S	S
6 x 4 x 8	S	S	S	S	S	S	S	S	S	S	S	S	S	S	S	S	S	S	S	S
8 x 8 x 8	—	—	S	S	S	S	S	S	S	S	S	S	S	S	S	S	S	S	S	S
2 x 1 x 10	S	S	S	S	S	S	S	S	S	S	S	S	S	S	S	S	S	S	S	S
2 x 1.5 x 10	S	S	S	S	S	S	S	S	S	S	S	S	S	S	S	S	S	S	S	S
3 x 1.5 x 10	S	S	S	S	S	S	S	S	S	S	S	S	S	S	S	S	S	S	S	S
3 x 2 x 10	S	S	S	S	S	S	S	S	S	S	S	S	S	S	S	S	S	S	S	S
3 x 2.5 x 10	S	S	S	S	S	S	S	S	S	S	S	S	S	S	S	S	S	S	S	S
4 x 3 x 10	—	—	S	S	S	S	S	S	S	S	S	S	S	S	S	S	S	S	S	S
5 x 4 x 10	—	—	—	—	—	—	—	—	—	—	—	—	—	—	—	—	—	—	—	—
6 x 4 x 10	—	—	—	—	—	—	—	—	—	—	—	—	—	—	—	—	—	—	—	—
6 x 5 x 10	—	—	—	—	—	—	—	—	—	—	—	—	—	—	—	—	—	—	—	—
8 x 6 x 10	—	—	—	—	—	—	—	—	—	—	—	—	—	—	—	—	—	—	—	—

"S" DESIGNATION - 0.875" IMPELLER BORE, 1.25" MECHANICAL SEAL
 "M" DESIGNATION - 1.25" IMPELLER BORE, 1.625" MECHANICAL SEAL

Model 4280-50

4280-50 end-suction close coupled pumping units

Exploded View



INDEX

ITEM	DESCRIPTION	PAGE
39	Water slinger	10
40	Adapter / BF MOD	6
44	Motor cap screw & washer	8
62	Mechanical seal	10
70	Shaft sleeve	10
80	Impeller	5

ITEM	DESCRIPTION	PAGE
83	Impeller washer	10
84*	Impeller lockwasher	10
86	Impeller cap screw	10
100	Casing	4
101	Casing gasket	7
104	Casing cap screw & washer	9

* Not illustrated. Not required on 's' frame sizes 143JM to 215JM

4

ITEM 100 CASING

PUMP SIZE	CONSTRUCTION	PART NUMBER	BAR CODE
1.5 × 1 × 6	BF MOD	EPOXY-426101-011	
3 × 1.5 × 6	BF MOD	EPOXY-426597-011	
3 × 2 × 6	BF MOD	EPOXY-426109-011	
3 × 2.5 × 6	BF MOD	EPOXY-427107-011	
4 × 3 × 6	BF MOD	EPOXY-427292-011	
1.5 × 1 × 8	BF MOD	EPOXY-426188-011	
3 × 1.5 × 8	BF MOD	EPOXY-426599-011	
3 × 2 × 8	BF MOD	EPOXY-426125-011	
3 × 2.5 × 8	BF MOD	EPOXY-427236-011	
4 × 3 × 8	BF MOD	EPOXY-426129-011	
5 × 4 × 8	BF MOD	EPOXY-426107-011	
6 × 4 × 8	BF MOD	EPOXY-426624-011	
8 × 8 × 8	BF MOD	EPOXY-427913-011	
2 × 1 × 10	BF MOD	EPOXY-426137-011	
2 × 1.5 × 10	BF MOD	EPOXY-426259-011	
3 × 1.5 × 10	BF MOD	EPOXY-426139-011	
3 × 2 × 10	BF MOD	EPOXY-426143-011	
3 × 2.5 × 10	BF MOD	EPOXY-427290-011	
4 × 3 × 10	BF MOD	EPOXY-426149-011	
5 × 4 × 10	BF MOD	EPOXY-426111-011	
6 × 4 × 10	BF MOD	EPOXY-426153-011	
6 × 5 × 10	BF MOD	EPOXY-427238-011	
8 × 6 × 10	BF MOD	EPOXY-426605-011	

ITEM 80 IMPELLER*

PUMP SIZE	CONSTRUCTION	PART NUMBER	BAR CODE
"S" SIZE 0.875" IMPELLER BORE - 1.25" MECHANICAL SEAL			
1.5 × 1 × 6	BF MOD	427101-841	
3 × 1.5 × 6	BF MOD	427109-841	
3 × 2 × 6	BF MOD	427111-841	
3 × 2.5 × 6	BF MOD	427103-841	
4 × 3 × 6	BF MOD	427117-841	
1.5 × 1 × 8	BF MOD	426228-841	
3 × 1.5 × 8	BF MOD	427121-841	
3 × 2 × 8	BF MOD	427125-841	
3 × 2.5 × 8	BF MOD	427127-841	
4 × 3 × 8	BF MOD	427129-841	
5 × 4 × 8	BF MOD	427137-841	
6 × 4 × 8	BF MOD	427137-841	
8 × 8 × 8	BF MOD	427917-841	
2 × 1 × 10	BF MOD	427151-841	
2 × 1.5 × 10	BF MOD	426255-841	
3 × 1.5 × 10	BF MOD	427151-841	
3 × 2 × 10	BF MOD	427163-841	
3 × 2.5 × 10	BF MOD	427123-841	
4 × 3 × 10	BF MOD	427149-841	
"M" SIZE 1.25" IMPELLER BORE - 1.625" MECHANICAL SEAL			
4 × 3 × 6	BF MOD	427118-841	
1.5 × 1 × 8	BF MOD	426229-841	
3 × 1.5 × 8	BF MOD	427122-841	
3 × 2 × 8	BF MOD	427126-841	
3 × 2.5 × 8	BF MOD	427128-841	
4 × 3 × 8	BF MOD	427130-841	
5 × 4 × 8	BF MOD	427138-841	
6 × 4 × 8	BF MOD	427138-841	
8 × 8 × 8	BF MOD	427918-841	
2 × 1 × 10	BF MOD	427152-841	
2 × 1.5 × 10	BF MOD	426256-841	
3 × 1.5 × 10	BF MOD	427152-841	
3 × 2 × 10	BF MOD	427164-841	
3 × 2.5 × 10	BF MOD	427124-841	
4 × 3 × 10	BF MOD	427150-841	
5 × 4 × 10	BF MOD	427154-841	
6 × 4 × 10	BF MOD	427154-841	
6 × 5 × 10	BF MOD	427160-841	
8 × 6 × 10	BF MOD	427157-841	

* Impeller Part Numbers are for unbalanced, full diameter impellers. Always specify the Pump Serial Number. If possible, measure the diameter of the impeller being replaced.

6

ITEM 40 ADAPTER

MODIFIED BRONZE FITTED (BF MOD)

PUMP SIZE	MOTOR FRAME				
"S" SIZE 0.875" IMPELLER BORE - 1.25" MECHANICAL SEAL					
	143-184 JM	213-215 JM	254-256JM	284-326JM	284-326JP
1.5 × 1 × 6	426746-011	426747-011	—	—	—
3 × 1.5 × 6	426746-011	426747-011	—	—	—
3 × 2 × 6	426746-011	426747-011	—	—	—
3 × 2.5 × 6	426746-011	426747-011	—	—	—
4 × 3 × 6	426746-011	426747-011	—	—	—
1.5 × 1 × 8	426749-011	—	—	—	—
3 × 1.5 × 8	426749-011	—	—	—	—
3 × 2 × 8	426749-011	—	—	—	—
3 × 2.5 × 8	426749-011	—	—	—	—
4 × 3 × 8	426749-011	—	—	—	—
5 × 4 × 8	426749-011	—	—	—	—
6 × 4 × 8	426749-011	—	—	—	—
8 × 8 × 8	426749-011	—	—	—	—
2 × 1 × 10	426753-011	—	—	—	—
2 × 1.5 × 10	426753-011	—	—	—	—
3 × 1.5 × 10	426753-011	—	—	—	—
3 × 2 × 10	426753-011	—	—	—	—
3 × 2.5 × 10	426753-011	—	—	—	—
4 × 3 × 10	426753-011	—	—	—	—
"M" SIZE 1.25" IMPELLER BORE - 1.625" MECHANICAL SEAL					
	143-184 JM	213-215 JP	254-256JM	284-326JM	284-326JP
4 × 3 × 6	—	—	426748-011	—	—
1.5 × 1 × 8	—	426750-011	—	—	—
3 × 1.5 × 8	—	426750-011	426751-011	426752-011	—
3 × 2 × 8	—	426750-011	426751-011	426752-011	—
3 × 2.5 × 8	—	—	426751-011	426752-011	—
4 × 3 × 8	—	426750-011	426751-011	426752-011	—
5 × 4 × 8	—	426750-015	426751-015	426752-015	—
6 × 4 × 8	—	426750-015	426751-015	426752-015	—
8 × 8 × 8	—	426750-015	426751-015	—	—
2 × 1 × 10	—	426754-011	426755-011	—	426756-011
2 × 1.5 × 10	—	426754-011	426755-011	—	426756-011
3 × 1.5 × 10	—	426754-011	426755-011	—	426756-011
3 × 2 × 10	—	426754-011	426755-011	—	426756-011
3 × 2.5 × 10	—	426754-015	426755-015	—	426756-015
4 × 3 × 10	—	426754-015	426755-015	—	—
5 × 4 × 10	—	426754-011	426755-015	—	426756-011
6 × 4 × 10	—	426754-011	426755-015	—	426756-011
6 × 5 × 10	—	426754-011	426755-011	—	426756-011
8 × 6 × 10	—	—	426755-011	—	426756-011

ITEM 101 CASING GASKET

PUMP SIZE	PART NUMBER	BAR CODE
1.5 × 1 × 6	426401-002	
3 × 1.5 × 6	426401-002	
3 × 2 × 6	426401-002	
3 × 2.5 × 6	426401-002	
4 × 3 × 6	426401-002	
1.5 × 1 × 8	426401-003	
3 × 1.5 × 8	426401-003	
3 × 2 × 8	426401-003	
3 × 2.5 × 8	426401-003	
4 × 3 × 8	426401-003	
5 × 4 × 8	426401-003	
6 × 4 × 8	426401-003	
8 × 8 × 8	426401-003	
2 × 1 × 10	426401-004	
2 × 1.5 × 10	426401-004	
3 × 1.5 × 10	426401-004	
3 × 2 × 10	426401-004	
3 × 2.5 × 10	426401-004	
4 × 3 × 10	426401-004	
5 × 4 × 10	426401-004	
6 × 4 × 10	426401-004	
6 × 5 × 10	426401-004	
8 × 6 × 10	426401-004	

ITEM 44 MOTOR CAPSCREW & WASHER

PUMP SIZE	MOTOR FRAME				
	"S" SIZE 0.875" IMPELLER BORE - 1.25" MECHANICAL SEAL				
	143-184 JM	213-215 JM	254-256JM	284-326JM	284-326JP
	4 REQUIRED	4 REQUIRED	4 REQUIRED	4 REQUIRED	4 REQUIRED
1.5 × 1 × 6		CAPSCREW 0.5"-13NC×1" PART NUMBER 911125-108 WASHER 0.5" FLAT PART NUMBER 927117-100			
3 × 1.5 × 6					
3 × 2 × 6					
3 × 2.5 × 6					
4 × 3 × 6					
1.5 × 1 × 8	CAPSCREW 0.375" NC×1" PART NUMBER 911121-108 WASHER 0.375" FLAT PART NUMBER 927113-100		—	—	—
3 × 1.5 × 8					
3 × 2 × 8					
3 × 2.5 × 8					
4 × 3 × 8					
5 × 4 × 8					
6 × 4 × 8					
8 × 8 × 8					
2 × 1 × 10					
2 × 1.5 × 10					
3 × 1.5 × 10					
3 × 2 × 10					
3 × 2.5 × 10					
4 × 3 × 10					
"M" SIZE 1.25" IMPELLER BORE - 1.625" MECHANICAL SEAL					
	143-184 JM	213-215 JP	254-256JM	284-326JM	284-326JP
4 × 3 × 6	—	CAPSCREW 0.5"-13NC 1.25" LONG PART NUMBER 911125-110 WASHER 0.5" FLAT PART NUMBER 927117-100	CAPSCREW 0.5"-13NC 1.25" LONG PART NUMBER 911125-110 WASHER 0.5" FLAT PART NUMBER 927117-100	CAPSCREW 0.625"-11NC 1.25" LONG PART NUMBER 911129-110 WASHER 0.625" FLAT PART NUMBER 927121-100	—
1.5 × 1 × 8					
3 × 1.5 × 8					
3 × 2 × 8					
3 × 2.5 × 8					
4 × 3 × 8					
5 × 4 × 8					
6 × 4 × 8					
8 × 8 × 8					
2 × 1 × 10		CAPSCREW 0.625"-11NC 1.25" LONG PART NUMBER 911129-110 WASHER 0.625" FLAT PART NUMBER 927121-100			
2 × 1.5 × 10					
3 × 1.5 × 10					
3 × 2 × 10					
3 × 2.5 × 10					
4 × 3 × 10					
5 × 4 × 10					
6 × 4 × 10					
6 × 5 × 10					
8 × 6 × 10					

BAR CODES			
911121-108		911129-114	
911125-108		927113-100	
911125-110		927117-100	
911129-110		927121-100	
911129-112			

ITEM 104 CASING CAPSCREW & WASHER

PUMP SIZE	NO. REQUIRED	SIZE	PART NUMBER	BAR CODE
1.5 × 1 × 6	8	CAPSCREW 0.5" - 13NC × 1.25" LG.	911125-110	
3 × 1.5 × 6				
3 × 2 × 6				
3 × 2.5 × 6	8	WASHER 0.5" - SAE FLAT	927117-100	
4 × 3 × 6				
1.5 × 1 × 8	8	HX. HD. CAPSCREW 0.625" - 11NC × 1.5" LG.	911129-112	
3 × 1.5 × 8				
3 × 2 × 8				
3 × 2.5 × 8				
4 × 3 × 8	8	WASHER 0.625" - SAE FLAT	927121-100	
5 × 4 × 8				
6 × 4 × 8				
8 × 8 × 8				
2 × 1 × 10	12	CAPSCREW 0.625" - 11NC × 1.5" LG.	911129-112	
2 × 1.5 × 10				
3 × 1.5 × 10				
3 × 2 × 10	12	WASHER 0.625" - SAE FLAT	927121-100	
3 × 2.5 × 10				
4 × 3 × 10				
5 × 4 × 10				
6 × 4 × 10				
6 × 5 × 10				
8 × 6 × 10				

10

COMMON PARTS

ITEM NUMBER	DESCRIPTION	CONSTRUCTION	PART NUMBER	BAR CODE
"S" SIZE 0.875" IMPELLER BORE - 1.25" MECHANICAL SEAL				
39	WATER SLINGER	ALL	406622-000	
62	MECHANICAL SEAL KIT	ALL	975000-982	
70	SHAFT SLEEVE	BF MOD	810150-251	
83	IMPELLER WASHER	ALL	425742-001	
86	IMPELLER CAPSCREW	ALL	911900-114	
"M" SIZE 1.25" IMPELLER BORE - 1.625" MECHANICAL SEAL				
39	WATER SLINGER	ALL	419315-000	
62	MECHANICAL SEAL KIT	ALL	975000-984	
70	SHAFT SLEEVE FRAMES 213-215 & 284-326JP	BF MOD	810150-253	
70	SHAFT SLEEVE FRAMES 254-256 & 284-326JM	BF MOD	810150-255	
83	IMPELLER WASHER	ALL	425742-003	
84	IMPELLER LOCKWASHER	ALL	927213-400	
86	IMPELLER CAPSCREW	ALL	911900-119	

TORONTO

+1 416 755 2291

BUFFALO

+1 716 693 8813

BIRMINGHAM

+44 (0) 8444 145 145

MANCHESTER

+44 (0) 8444 145 145

BANGALORE

+91 (0) 80 4906 3555

SHANGHAI

+86 21 3756 6696