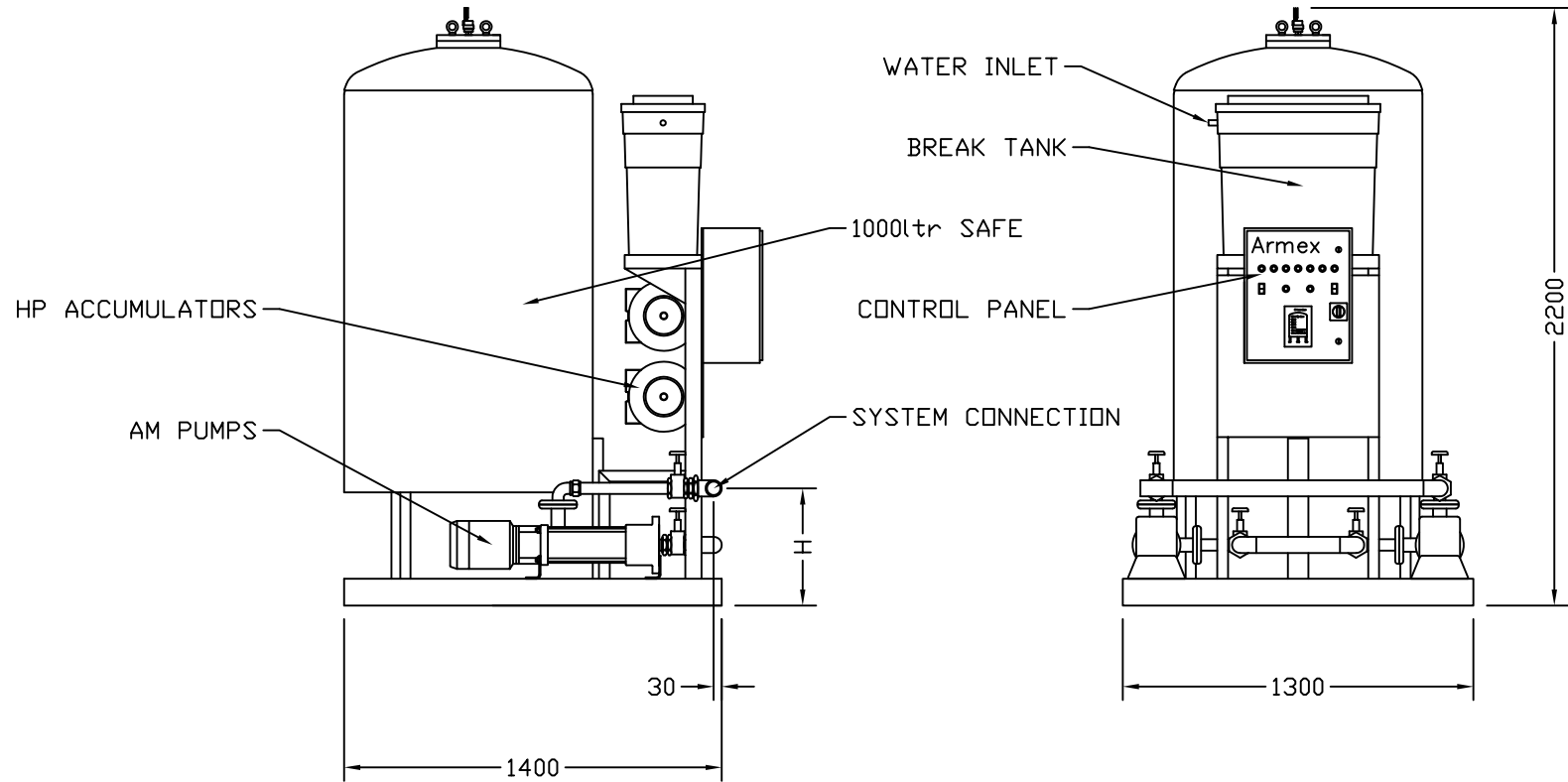


415V/3ph/50Hz											
PUMP	kW	FLC(A)	SC(A)	Dimn.H	WT(kg)	PUMP	kW	FLC(A)	SC(A)	Dimn.H	WT(kg)
AM2/6	0.75	1.9	10.8	400	529					415	
AM2/7	1.10	2.6	16.3		531	AM4/7	1.10	2.6	16.3		531
AM2/8					532	AM4/8	1.50	3.5	21.9		544
AM2/9					533	AM4/9					545
AM2/11	1.50	3.5	21.9		574	AM4/11	2.20	4.4	28.8		549

SYSTEM CONNECTION : 2"BSP(F)
WATER INLET : 3/4"BSP(M)



LAST MODIFICATION DETAILS AHBP BORDER ADDED	ALL DIMENSIONS IN mm DRAWN TO BS308 WELDING SYMBOLS TO BS499 SURFACE FINISH SHOWN IN MICROMETERS MACHINE WHERE SHOWN ✓ TO TOLERANCE ± 0.3MM UNLESS OTHERWISE STATED	JOB No. - DESIGN No. -	PART No. - PATTERN No. -	WEIGHT KG - MATERIAL -	FILE NAME - MAT'L SPEC. -	TITLE ARMEX UNIT AM with 1000Ltr SAFE	DRG No. UKD03727-4xx	WENLOCK WAY, MANCHESTER. M12 5JL TEL: +44 (0) 161 223 2223
ISSUE DATE 11/07/2006 DRN BSD F CHK BSD APP BSD	THIS DRAWING IS THE PRIVATE AND CONFIDENTIAL PROPERTY OF ARMSTRONG HOLDEN BROOKE PULLEN LTD. ALL COPYRIGHT, MANUFACTURING AND SALES RIGHTS RESERVED.					DATE 22/09/1998 DRN DCA CHK APP SCALE 1:1 SHEET 1 OF 1		