

ARMSTRONG



ARMSTRONG
www.armstrongpumps.com
MODEL: 4270-01
IMPELLER: 4.25"
SERIAL: 740930

4270 Stock Motor Mounted Centrifugal Pumps

FILE NO: 42.10
DATE: FEBRUARY 2022

SUPERSEDES: 42.10
DATE: DECEMBER 6, 2017



FEATURES THAT ENSURE

PERFORMANCE EXCELLENCE!

Volute

Radially-split volute can be left in the line while servicing the pump, eliminating needless disconnecting of pipes. Tapped openings are provided for venting, draining and gauge connections.

Impeller

High strength engineered resin or bronze impeller reduces axial thrust to a minimum, ensuring smooth performance and long life.

Motor

The motor is equipped with heavy-duty, permanently lubricated ball bearings adequately rated to accommodate impeller radial loads and residual hydraulic thrusts. Designed to operate at 3600 rpm.

Mechanical seal

Self-lubricating, prevents liquid spillage. A carbon face rotating against a stationary ceramic seat provides positive sealing up to full design pressure (Type 21).

Adaptor

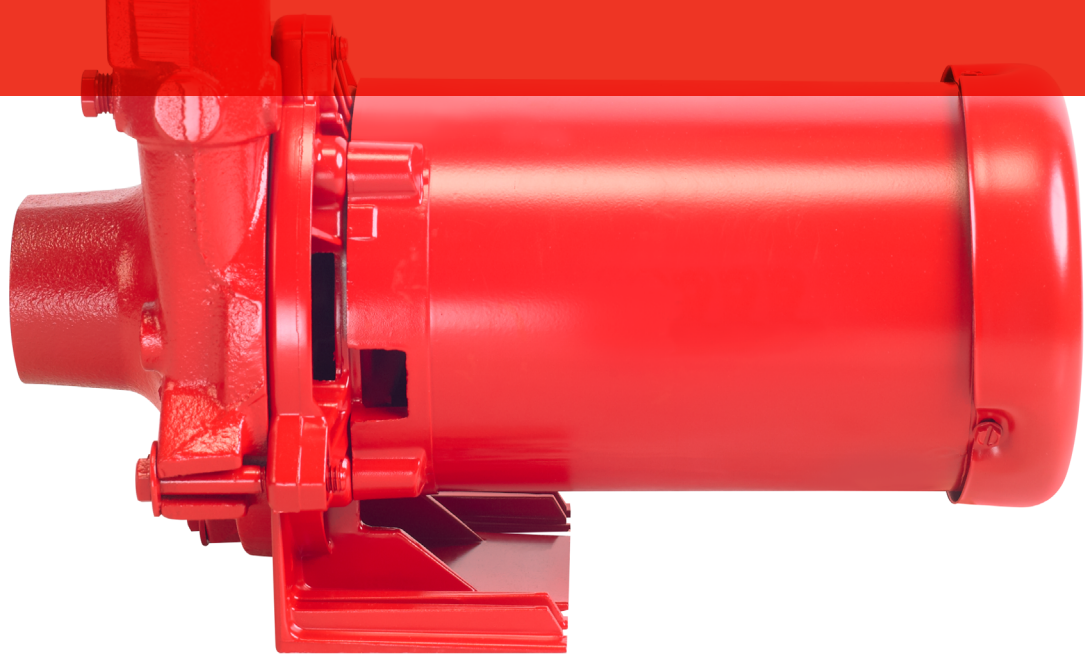
Aluminum die cast, with integral support foot, delivering lightweight, durable construction.

Shaft

Motor shaft extends through to impeller, eliminating intermediate bearing bracket for close coupled design.

Back pull-out design

Eliminates the need to break piping connections when servicing the pump. The motor, with bracket and impeller attached, can be easily withdrawn from the volute after moving the volute capscrews.



APPLICATIONS

- Cooling towers
- HVAC
- General purpose

MATERIALS OF CONSTRUCTION

Volute: Cast iron

Volute cap screws: Steel

Impeller: PEI resin or bronze

Motor/bracket: Aluminum

Faceplate: Stainless steel

MECHANICAL SEAL (TYPE 21)

Insert: Carbon

Seat: Ceramic

Bellows: Viton

L-cup: Viton

Retainer: Stainless steel

Spring: Stainless steel

TECHNICAL DATA

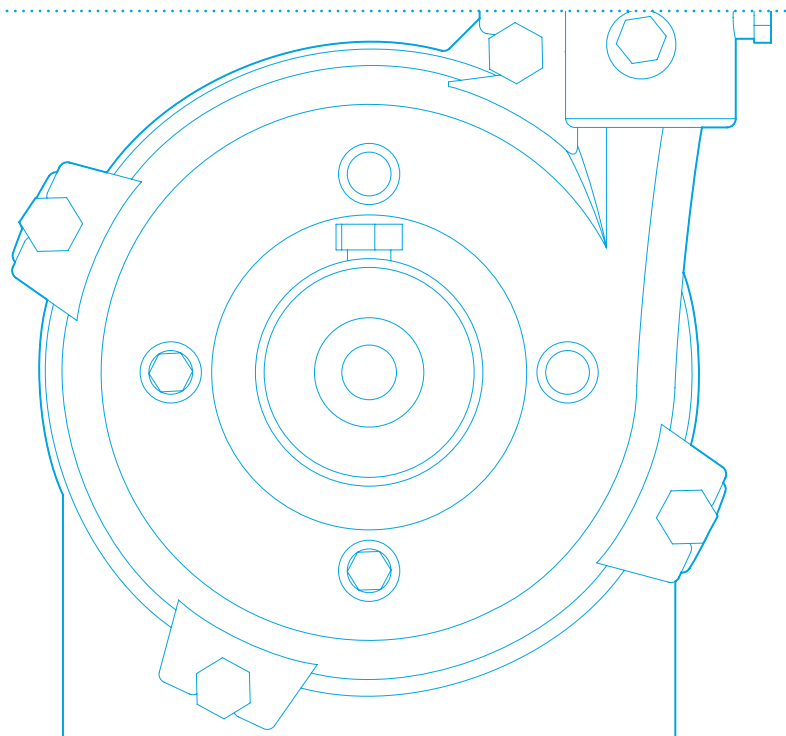
Suction size: 1¼", 1½", 2"

Max. flow (3600 rpm): 130 USgpm (8.2 L/s)

Max. head (3600 rpm): 130 ft (39.6 m)

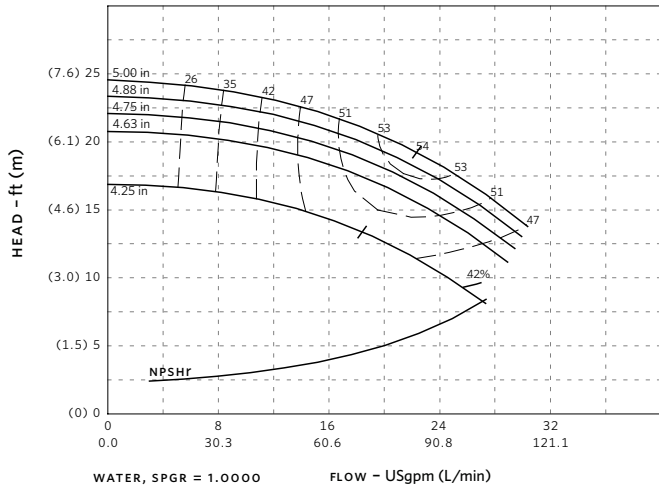
Max. working pressure: 150 psig (1034 kPa)

Max. operating temperature: 275°F (135°C)

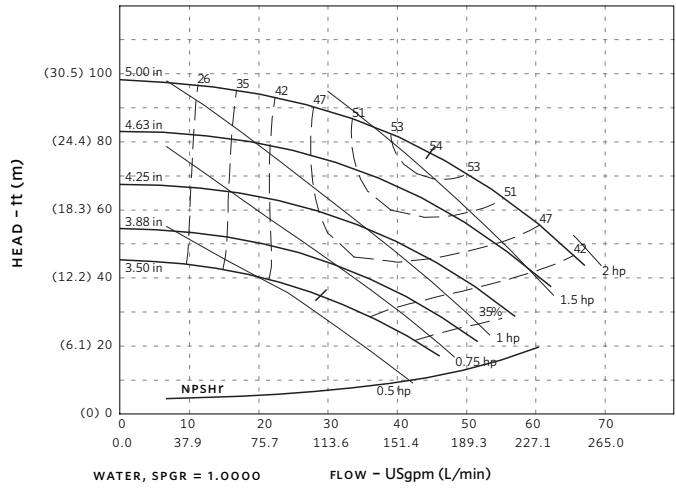


PERFORMANCE CURVES

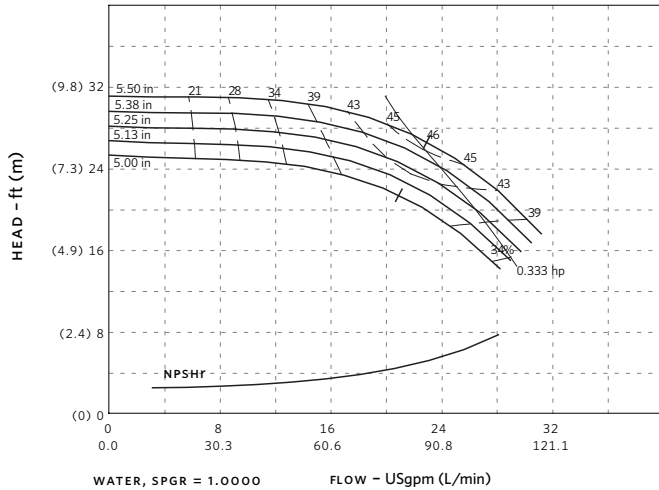
1.25 x 1 x 5 - 1800 RPM



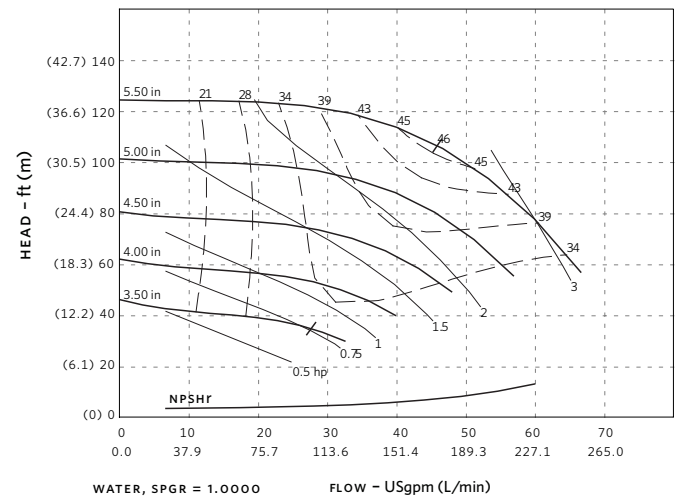
1.25 x 1 x 5 - 3600 RPM



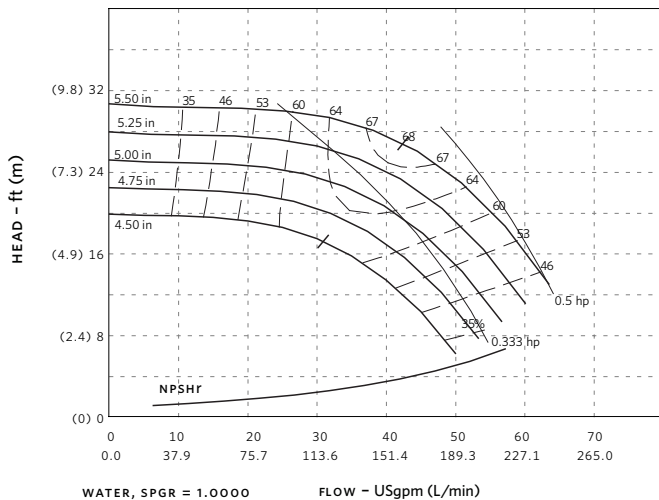
1.5 x 1.25 x 5.5 - 1800 RPM



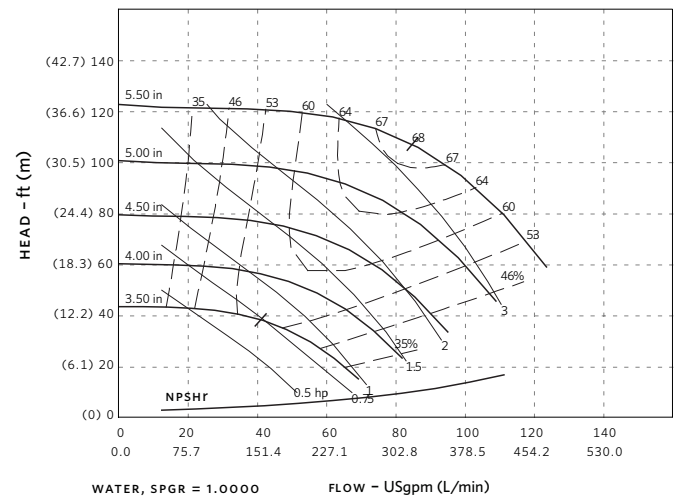
1.5 x 1.25 x 5.5 - 3600 RPM



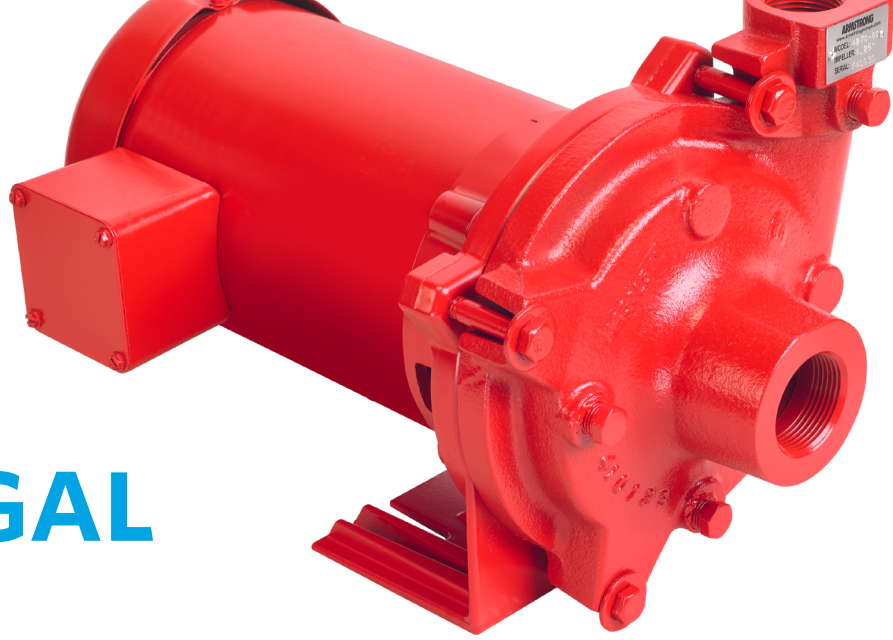
2 x 1.5 x 5.5 - 1800 RPM



2 x 1.5 x 5.5 - 3600 RPM



MOTOR MOUNTED CENTRIFUGAL PUMPS

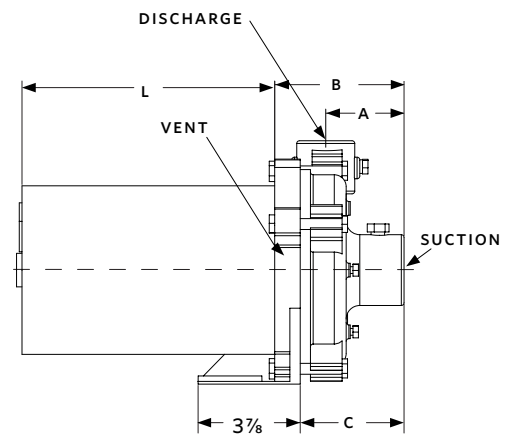


DIMENSIONS

MODEL	A	B	C	W	T	X	Y
1¼" × 1"	2.88 (73)	4.75 (121)	3.81 (97)	8.25 (210)	3.12 (79)	4.19 (106)	4.75 (121)
1½" × 1¼"	2.88 (73)	4.75 (121)	3.81 (97)	8.33 (212)	3.12 (79)	4.19 (106)	4.75 (121)
2" × 1½"	2.88 (73)	4.75 (121)	3.81 (97)	8.50 (216)	3.12 (79)	4.19 (106)	4.75 (121)

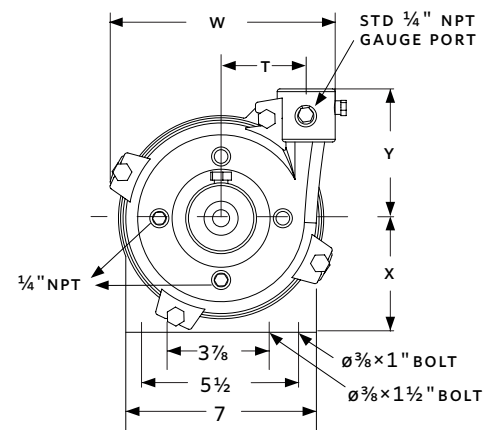
MOTOR	L
⅓, ½, ¾ hp	9.28 (236)
1 hp	9.78 (248)
1½ hp	10.18 (259)
2, 3 hp	11.18 (284)
5 hp	11.37 (289)

Note: Dimensions are in inches (mm). For exact dimensions please write factory.
All pump sized are provided with NPT screwed connections.



TYPICAL SPECIFICATIONS

Furnish and install, as shown on the plans and specifications, an Armstrong series 4270 End suction motor mounted centrifugal pumping unit suitable for 150 psig (1034 kPa) working pressure with radially-split _____ casing, PEI resin or bronze impeller, 416 stainless steel shaft and single inside-type 21 mechanical seal. The driving motor shall be horizontal, solid shaft, squirrel cage induction motor with NEMA C flange and _____ enclosure, suitable for operation on a _____ volt, _____ cycle _____ phase power supply. The complete unit shall be suitable for _____ as shown on the pump schedule, or for the following service: _____, capacity _____ USgpm (L/s), total head _____ feet (m), liquid _____, temperature _____ °F (°C), viscosity _____ ssu, pump size _____, speed _____ rpm, motor rating _____ hp.



TORONTO

23 BERTRAND AVENUE
TORONTO, ONTARIO
CANADA, M1L 2P3
+1 416 755 2291

BUFFALO

93 EAST AVENUE
NORTH TONAWANDA, NEW YORK
U.S.A., 14120-6594
+1 716 693 8813

DROITWICH SPA

POINTON WAY,
STONEBRIDGE CROSS BUSINESS PARK
DROITWICH SPA, WORCESTERSHIRE
UNITED KINGDOM, WR9 0LW
+44 8444 145 145

MANCHESTER

WOLVERTON STREET
MANCHESTER
UNITED KINGDOM, M11 2ET
+44 8444 145 145

BANGALORE

#59, FIRST FLOOR, 3RD MAIN
MARGOSA ROAD, MALLESWARAM
BANGALORE, INDIA, 560 003
+91 80 4906 3555

SHANGHAI

UNIT 903, 888 NORTH SICHUAN RD.
HONGKOU DISTRICT, SHANGHAI
CHINA, 200085
+86 21 5237 0909

SÃO PAULO

RUA JOSÉ SEMIÃO RODRIGUES AGOSTINHO,
1370 GALPÃO 6 EMBU DAS ARTES
SAO PAULO, BRAZIL
+55 11 4785 1330

LYON

93 RUE DE LA VILLETTE
LYON, 69003 FRANCE
+33 4 26 83 78 74

DUBAI

JAFZA VIEW 19, OFFICE 402
P.O.BOX 18226 JAFZA,
DUBAI - UNITED ARAB EMIRATES
+971 4 887 6775

MANNHEIM

DYNAMOSTRASSE 13
68165 MANNHEIM
GERMANY
+49 621 3999 9858

JIMBOLIA

STR CALEA MOTILOR NR. 2C
JIMBOLIA 305400, JUD.TIMIS
ROMANIA
+40 256 360 030

ARMSTRONG FLUID TECHNOLOGY
ESTABLISHED 1934

ARMSTRONGFLUIDTECHNOLOGY.COM