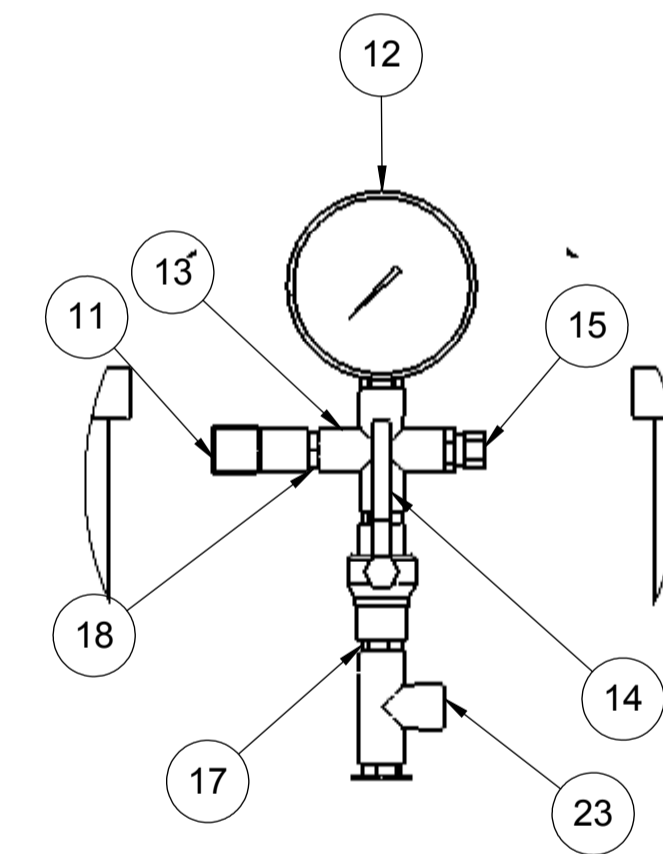
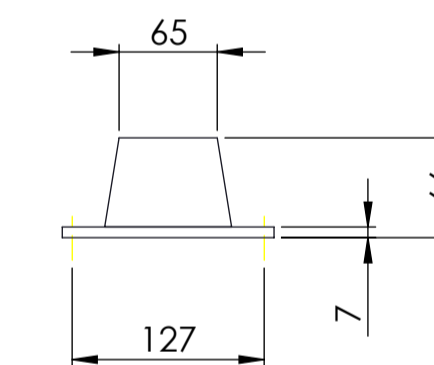
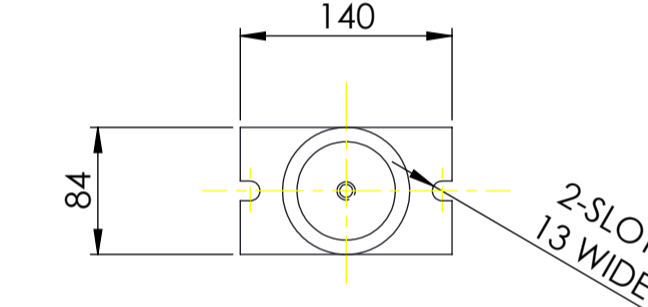


PUMP SIZE	MOTOR KW	FLC AMPS 3x415W	PUMP WEIGHT KGS	SET WEIGHT KGS	VESSEL SIZE LTRS	WORKING PRESSURE MAX. BAR	TEST PRESSURE MAX. BAR	STARTING CURRENT
SV6601-1	4	8.5	89	630	60	2.4	24	20

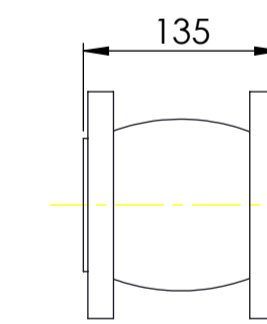
ITEM NO	DESCRIPTION	NO. OFF
1	BASE PLATE	1
2	BOLT - M12	12
3	WASHER - M12	12
4	CAGE NUT - M12	12
5	VMS PUMP	3
6	SUCTION/DISCHARGE MANIFOLD ASSY	2
7	ISOLATING VALVE 4"	6
8	NRV 4"	3
9	SUPPORT RIB	1
10	STANCHION	1
11	PRESSURE TRANSDUCER	1
12	PRESSURE GAUGE	1
13	FEMALE CROSS 1/2"	1
14	ISOLATING VALVE 1/2"	1
15	AIR VENT 1/4"	1
16	CONTROL PANEL	1
17	1/2" NIPPLE	3
18	1/2" x 1/4" REDUCING BUSH	3
19	BOLT - M10	9
20	WASHER - M10	9
21	NUT - M10	3
22	CAGE NUT - M10	6
23	1/2" T	1
FASTENERS FOR PN16		
24	STUD - M16x79	24
25	WASHER - M16	144
26	NUT - M16	144
27	STUD - M16x54	72
28	STUD - M16x109	24
FASTENERS FOR PN25		
24	STUD - M20x90	24
25	WASHER - M20	144
26	NUT - M20	144
27	STUD - M20x60	72
28	STUD - M20x130	24
29	GASKET - 100NB	6
30	SPACER PIECE - 100NB	3

ANTI-VIBRATION MOUNTINGS OPTIONAL ONLY SUPPLIED WHEN ORDERED (6-PER SET K2092/10)



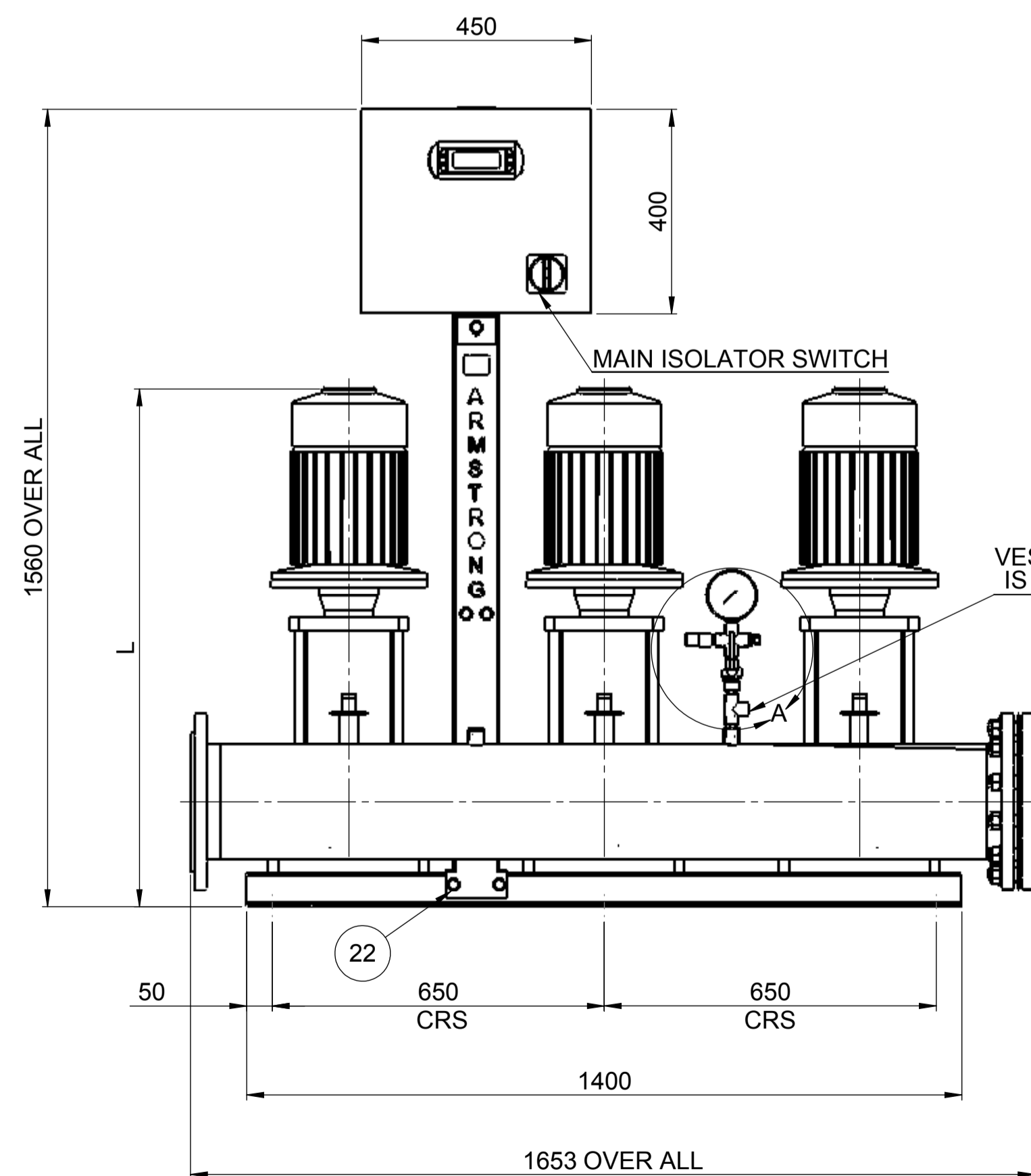
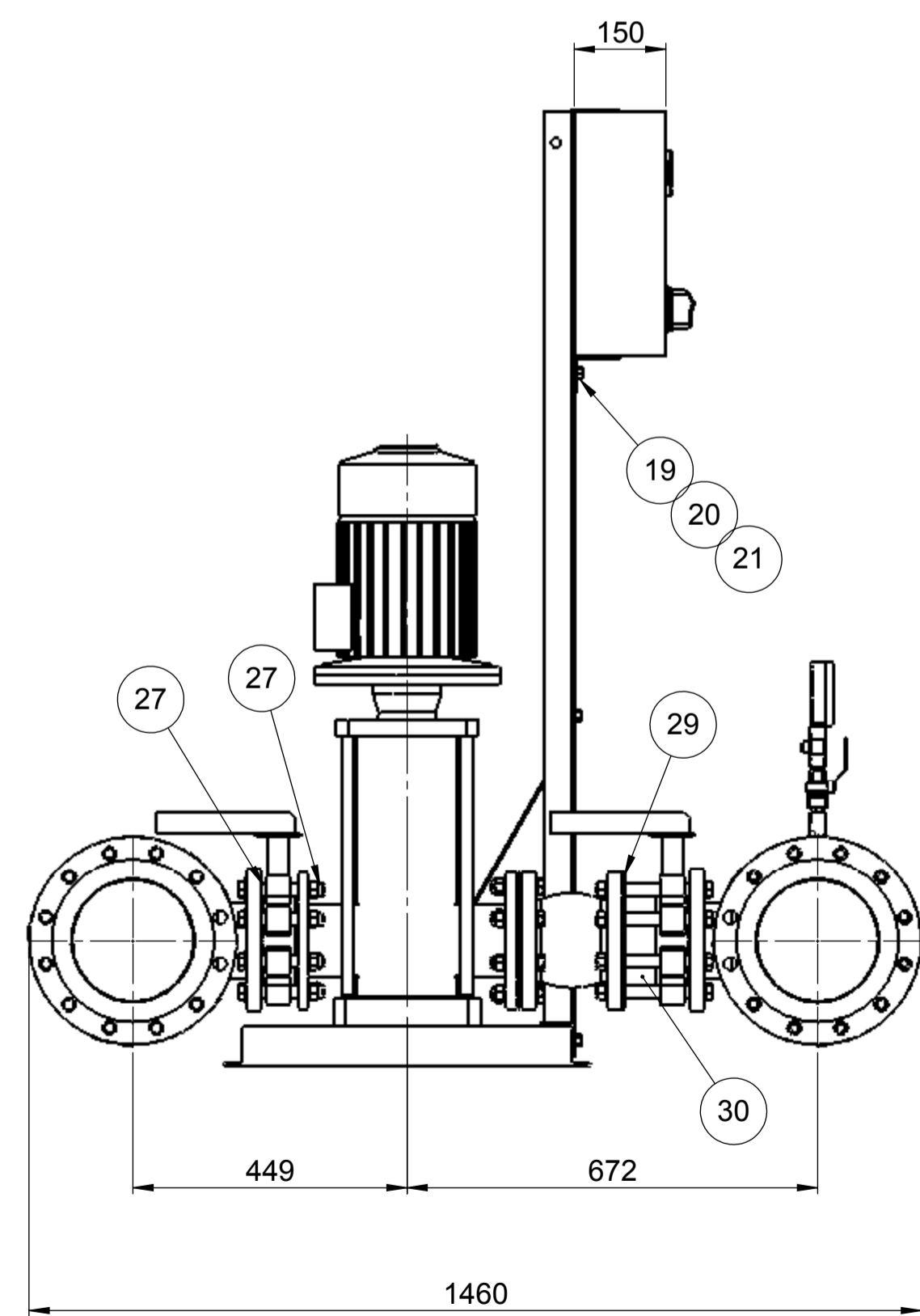
DETAIL A SCALE 1:4

FLEXIBLE CONNECTORS OPTIONAL ONLY SUPPLIED WHEN ORDERED (2-PER SHEET)



NOTE:-

- 1) MAIN POWER SUPPLY TO PANEL MUST BE SIZED TO COVER ALL PUMPS RUNNING AT THE SAME TIME
- 2) LARGE STORAGE VESSELS, IF ORDERED, WILL BE SUPPLIED LOOSE FOR POSITIONING FOR CLIENT TO SUIT THE AVAILABLE FLOOR SPACE. CLIENT IS TO PROVIDE A CONNECTION FROM THE VESSEL TO THE DELIVERY PIPEWORK ADJACENT TO THE SET ISOLATING AND DRAIN VALVES SHOULD BE FITTED IN THIS CONNECTION
- 3) 60 Lt TANK WILL BE SUPPLIED LOOSE AND SHOULD BE ASSEMBLED ON SITE
- 4) FLANGES ARE AVAILABLE BOTH IN 16 & 25 BAR VERSION
- 5) FOR STANCHION SELECTION USE DRAWING NO. PK14967



LAST MODIFICATION DETAILS		PROPRIETARY AND CONFIDENTIAL		UNLESS OTHERWISE SPECIFIED: DIMENSIONS ARE IN MM		NAME DATE PRAKASH 03/03/08									
REV:	DATE:-	DRN BY:-	CHECKED BY:-	APP. BY:-	THIRD ANGLE PROJECTION	DESIGN No.	CHECKED			TITLE: <b>6800 HMP SERIES 3PUMP SV66</b>					
FILE NAME		FINISH		MATERIAL SPEC:		DRAWN		SIZE DRG. NO.							
REV: -		DATE: -		DRN BY: -		CHECKED BY: -		APP. BY: -		SCALE: 1:10		WEIGHT: KG		SHEET 1 OF 1	
REV: -		DATE: -		DRN BY: -		CHECKED BY: -		APP. BY: -		SCALE: 1:10		WEIGHT: KG		SHEET 1 OF 1	