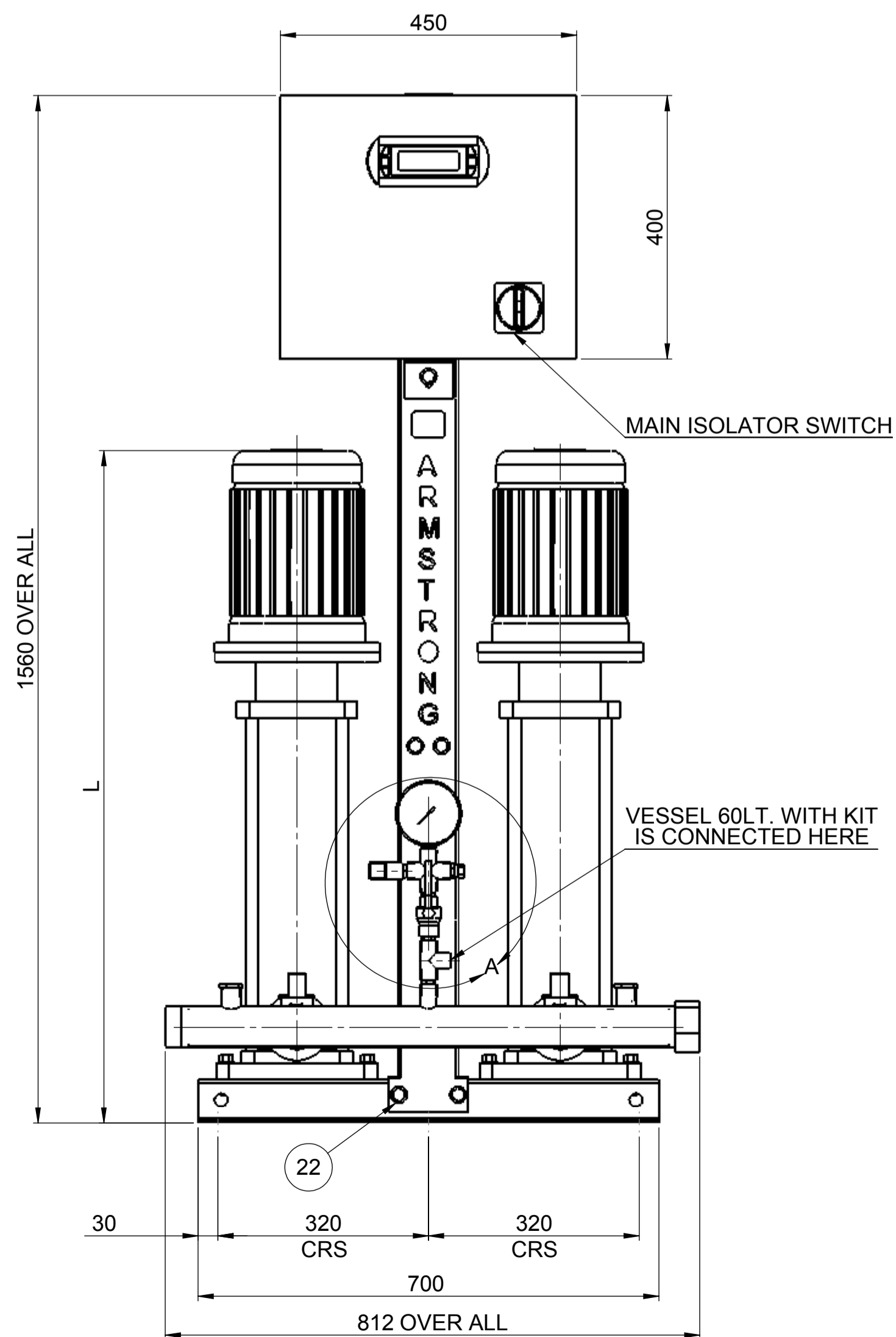
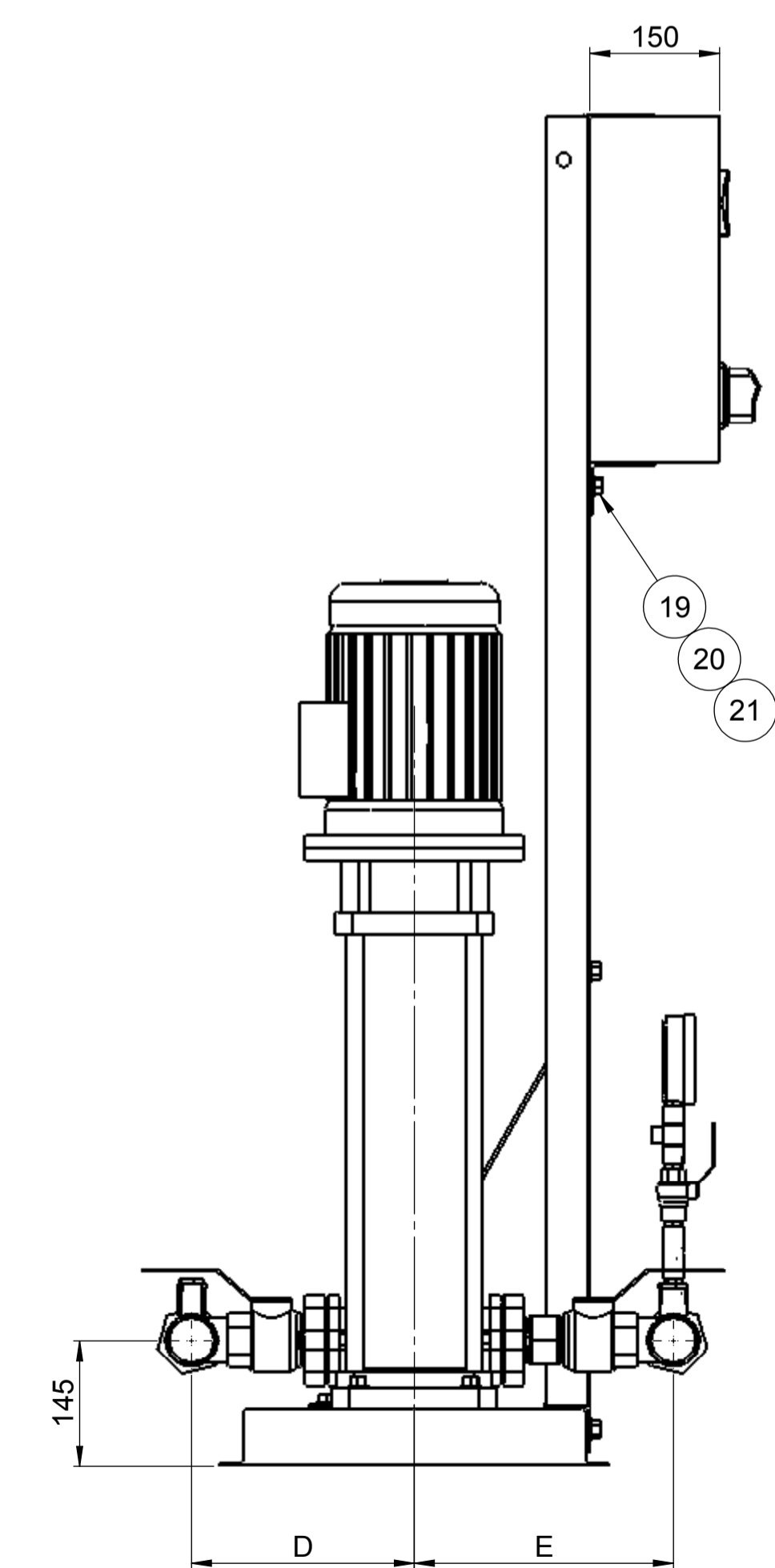
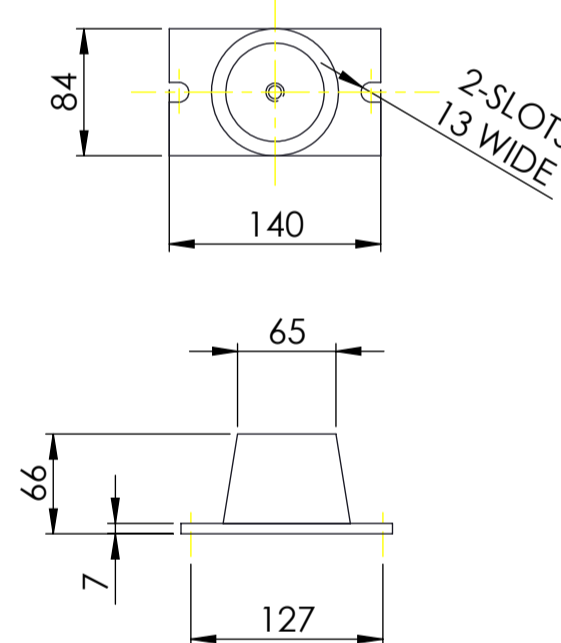


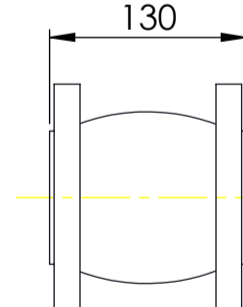
PUMP SIZE	MOTOR KW	FLC AMPS 3x415W	PUMP WEIGHT KGS	SET WEIGHT KGS	VESSEL SIZE LTRS	WORKING PRESSURE MAX BAR	TEST PRESSURE MAX BAR	STARTING CURRENT	L MM	D MM	E MM
SV0802	1.1	2.6	25.5	104	60	2.7	24	6	691	258	300
SV0803	1.5	3.6	32	117	60	4	24	6	739	258	300
SV0804	2.2	5	34	121	60	5.4	24	10	777	258	300
SV0805	2.2	5	35	123	60	6.8	24	10	815	258	300
SV0806	3	6.6	42	137	60	8	24	16	903	258	300
SV0808	4	8.5	58.5	170	60	10.8	24	20	983	258	300
SV0809	4	8.5	59.5	172	60	12.1	24	20	1021	258	300



ANTI-VIBRATION MOUNTINGS OPTIONAL ONLY SUPPLIED WHEN ORDERED (4-PER SET K2092/10)

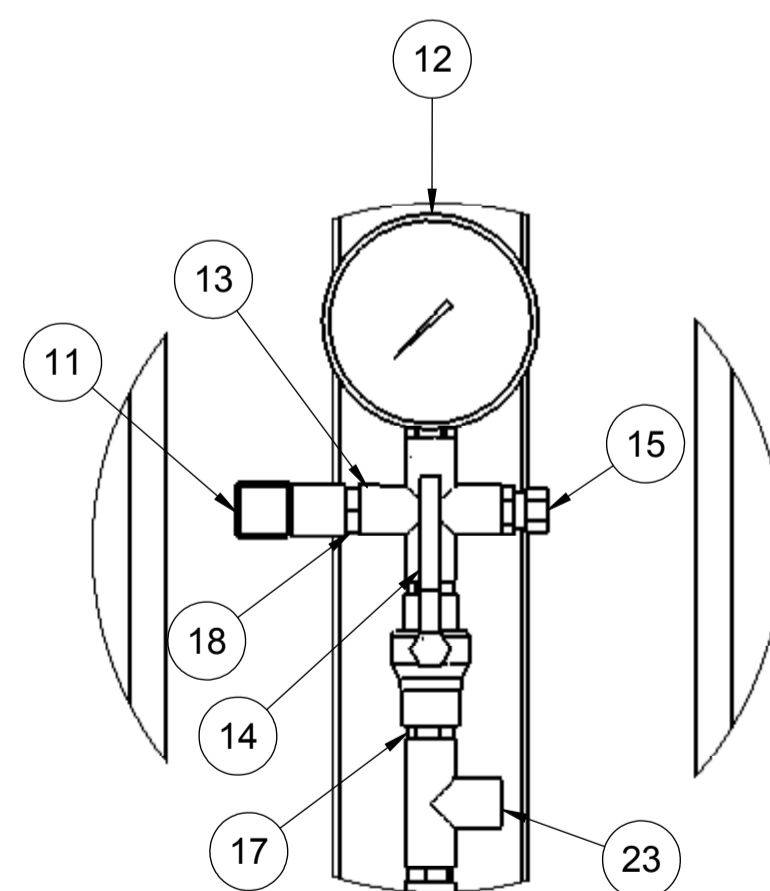


FLEXIBLE CONNECTORS OPTIONAL ONLY SUPPLIED WHEN ORDERED (2-PER SHEET)



NOTE:-

- 1) MAIN POWER SUPPLY TO PANEL MUST BE SIZED TO COVER ALL PUMPS RUNNING AT THE SAME TIME
- 2) LARGE STORAGE VESSELS, IF ORDERED, WILL BE SUPPLIED LOOSE FOR POSITIONING FOR CLIENT TO SUIT THE AVAILABLE FLOOR SPACE. CLIENT IS TO PROVIDE A CONNECTION FROM THE VESSEL TO THE DELIVERY PIPEWORK ADJACENT TO THE SET ISOLATING AND DRAIN VALVES SHOULD BE FITTED IN THIS CONNECTION
- 3) 60 Lt TANK WILL BE SUPPLIED LOOSE AND SHOULD BE ASSEMBLED ON SITE
- 4) FLANGES ARE AVAILABLE BOTH IN 16 & 25 BAR VERSION
- 5) FOR STANCHION SELECTION USE DRAWING NO. PK14967



DETAIL A SCALE 2 : 7

ITEM NO	DESCRIPTION	NO. OFF
1	BASE PLATE	1
2	BOLT - M12	8
3	WASHER - M12	8
4	CAGE NUT - M12	8
5	VMS PUMP	2
6	SUCTION/DISCHARGE MANIFOLD ASSY	2
7	ISOLATING VALVE 1 1/2"	4
8	NRV 1 1/2"	2
9	SUPPORT RIB	1
10	STANCHION	1
11	PRESSURE TRANSDUCER	1
12	PRESSURE GAUGE	1
13	FEMALE CROSS 1/2"	1
14	ISOLATING VALVE 1/2"	1
15	AIR VENT 1/4"	1
16	CONTROL PANEL	1
17	1/2" NIPPLE	3
18	1/2" x 1/4" REDUCING BUSH	3
19	BOLT - M10	9
20	WASHER - M10	9
21	NUT - M10	3
22	CAGE NUT - M10	6
23	1/2" T	1
24	END CAP	2

REV:	DATE:	DRN BY:	CHECKED BY:	APP. BY:

PROPRIETARY AND CONFIDENTIAL  
THIS DRAWING IS THE PRIVATE AND CONFIDENTIAL PROPERTY OF ARMSTRONG. ALL COPYRIGHT, MANUFACTURING AND SALES RIGHTS RESERVED.

PART No.	UNLESS OTHERWISE SPECIFIED:	NAME	DATE
JOB No.	DIMENSIONS ARE IN MM	DRAWN	01/03/08
DESIGN No.	WELD SYMBOLS TO BS 499	CHECKED	
PATTERN No.	SURFACE FINISH SHOWN IN UNITS	Q.A.	
FILE NAME	MACHINE WHERE SHOWN TO TOLERANCE ± 0.3	MFG APPR.	
FINISH	DIMENSIONING AND TOLERANCING PER BS 308	ENG APPR.	
	MATERIAL SPEC.	COMMENTS:	



TITLE: 6800 HMP SERIES 2PUMP SV08

SIZE	DRG. NO.	REV
A1	PX10740	B