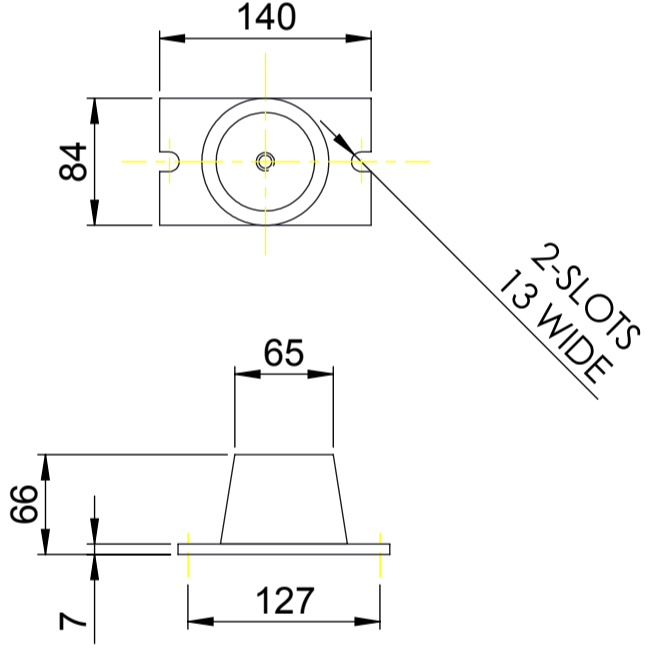
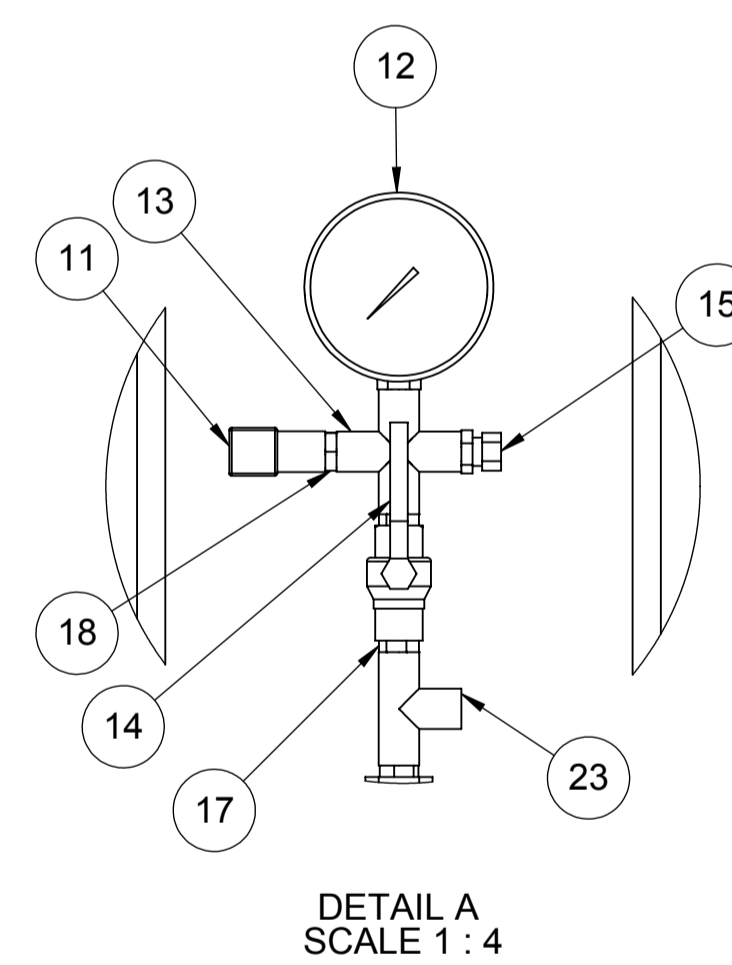
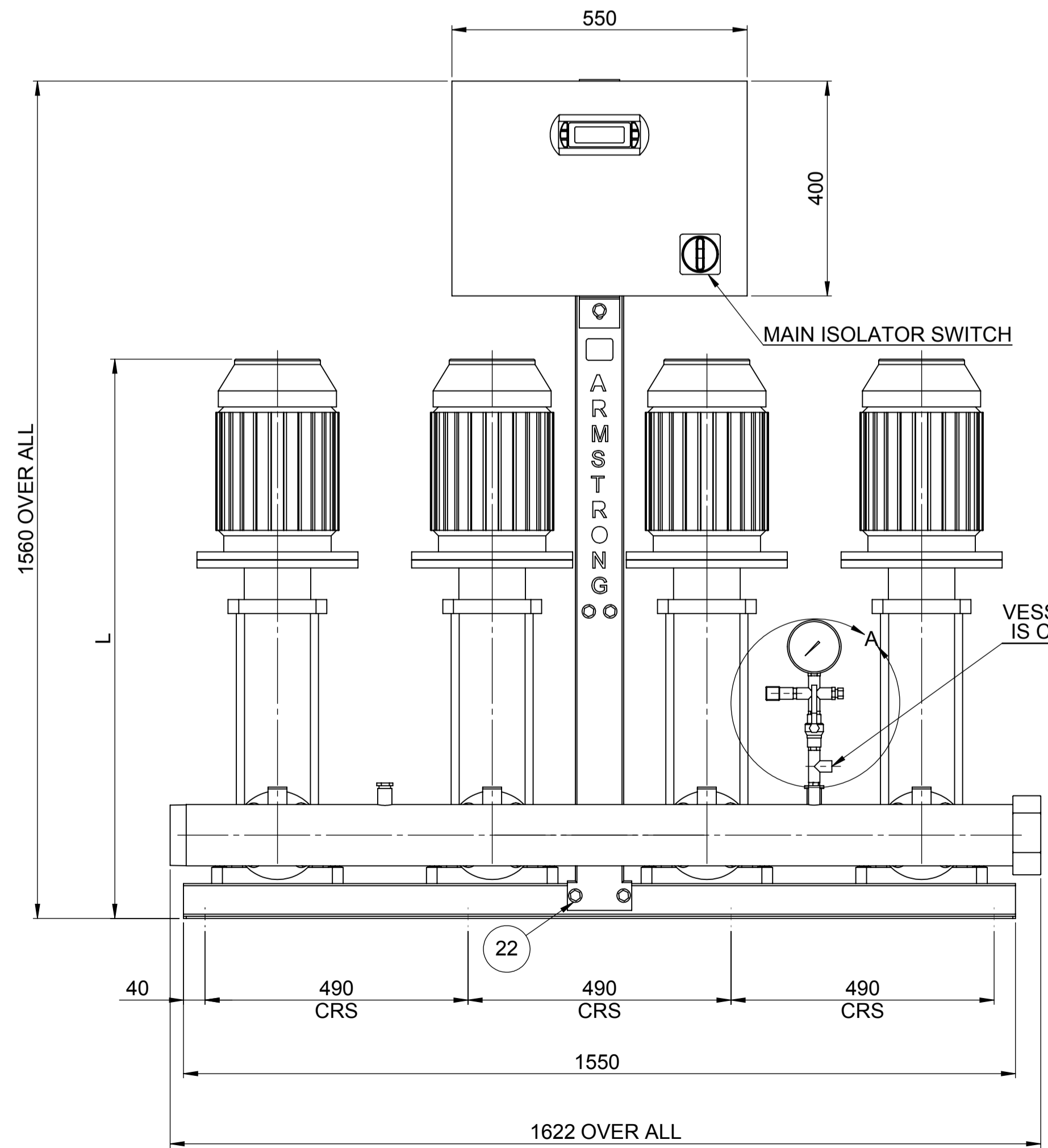
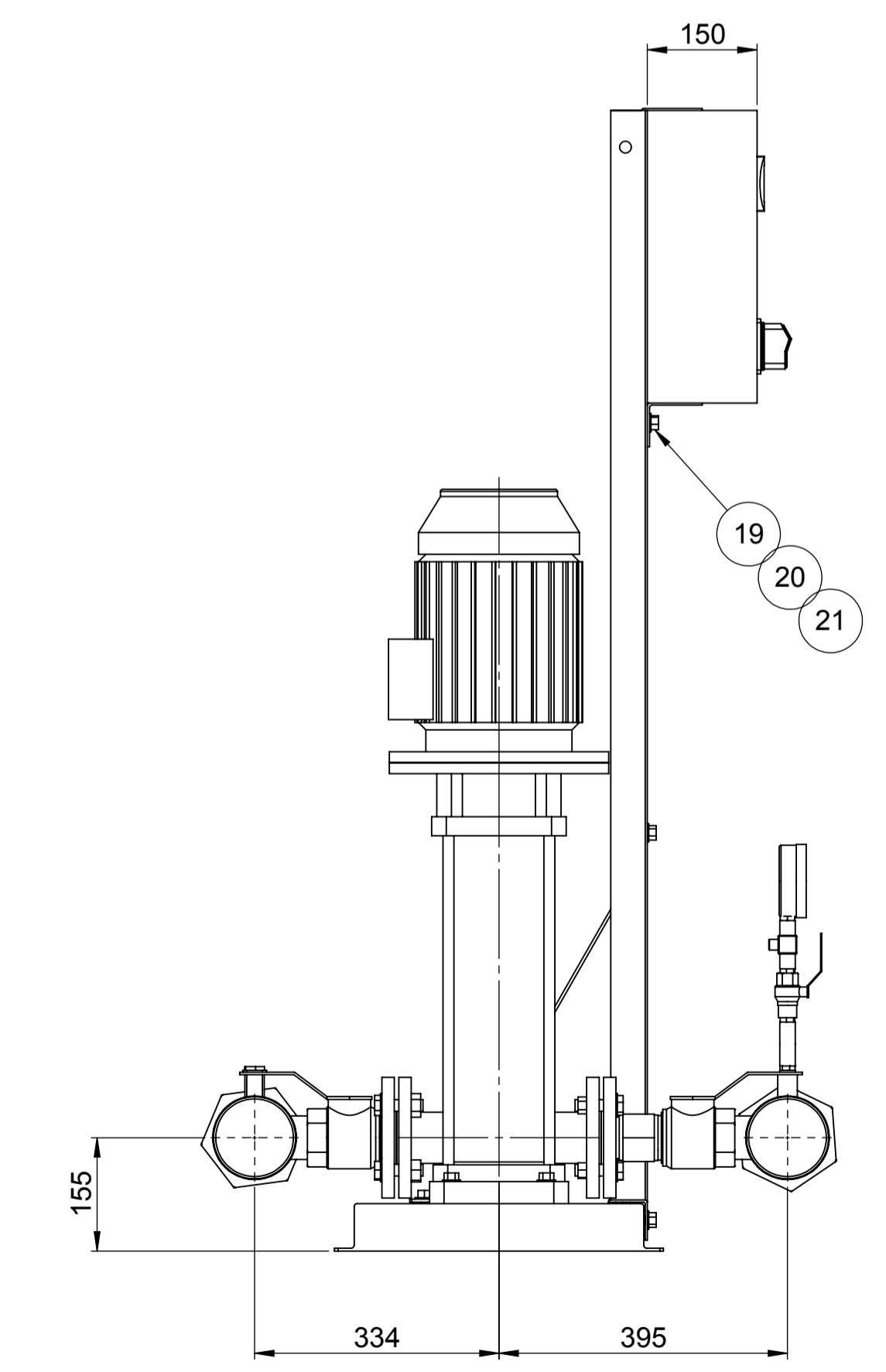
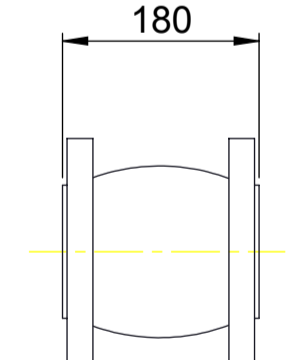


PUMP SIZE	MOTOR KW	FLC AMPS 3x415W	PUMP WEIGHT KGS	SET WEIGHT KGS	VESSEL SIZE LTRS	WORKING PRESSURE MAX BAR	TEST PRESSURE MAX BAR	STARTING CURRENT	L MM
SV1602	2.2	5	32	238	60	3.3	24	10	711
SV1603	3	6.6	38	250	60	5.1	24	16	799
SV1604	4	8.5	55.5	285	60	6.8	24	20	841



ANTI-VIBRATION MOUNTINGS OPTIONAL ONLY SUPPLIED WHEN ORDERED (4-PER SET K2092/10)

FLEXIBLE CONNECTORS OPTIONAL ONLY SUPPLIED WHEN ORDERED (2-PER SHEET)



NOTE:-

- 1) MAIN POWER SUPPLY TO PANEL MUST BE SIZED TO COVER ALL PUMPS RUNNING AT THE SAME TIME
- 2) LARGE STORAGE VESSELS, IF ORDERED, WILL BE SUPPLIED LOOSE FOR POSITIONING FOR CLIENT TO SUIT THE AVAILABLE FLOOR SPACE. CLIENT IS TO PROVIDE A CONNECTION FROM THE VESSEL TO THE DELIVERY PIPEWORK ADJACENT TO THE SET ISOLATING AND DRAIN VALVES SHOULD BE FITTED IN THIS CONNECTION
- 3) 60LT TANK WILL BE SUPPLIED LOOSE AND SHOULD BE ASSEMBLED ON SITE
- 4) FLANGES ARE AVAILABLE BOTH IN 16 & 25 BAR VERSION
- 5) FOR STANCHION SELECTION USE DRAWING NO. PK14967

ITEM NO	DESCRIPTION	NO. OFF
1	BASE PLATE	1
2	BOLT - M12	16
3	WASHER - M12	16
4	CAGE NUT - M12	16
5	VMS PUMP	4
6	SUCTION/DISCHARGE MANIFOLD ASSY	2
7	ISOLATING VALVE 2"	8
8	NRV 2"	4
9	SUPPORT RIB	1
10	STANCHION	1
11	PRESSURE TRANSDUCER	1
12	PRESSURE GAUGE	1
13	FEMALE CROSS 1/2"	1
14	ISOLATING VALVE 1/2"	1
15	AIR VENT 1/4"	1
16	CONTROL PANEL	1
17	1/2" NIPPLE	3
18	1/2" x 1/4" REDUCING BUSH	3
19	BOLT - M10	9
20	WASHER - M10	9
21	NUT - M10	3
22	CAGE NUT - M10	6
23	1/2" T	1
24	END CAP	2
25	BOLT - M16	32
26	WASHER - M16	64
27	NUT - M16	32

REV:	DATE:-	DRN BY:-	CHECKED BY:-	APP. BY:-

PROPRIETARY AND CONFIDENTIAL
THIS DRAWING IS THE PRIVATE AND CONFIDENTIAL PROPERTY OF ARMSTRONG ALL COPYRIGHT, MANUFACTURING AND SALES RIGHTS RESERVED.

PART No.	UNLESS OTHERWISE SPECIFIED:	NAME	DATE
JOB No.	DIMENSIONS ARE IN MM	DRAWN	04/03/08
DESIGN No.	WELD SYMBOLS TO BS 499	CHECKED	
PATTERN No.	SURFACE FINISH SHOWN IN U.S.	Q.A.	
FILE NAME	MACHINE WHERE SHOWN TO TOLERANCE ± 0.3	MFG APPR.	
FINISH	DIMENSIONING AND TOLERANCING PER BS 308	ENG APPR.	
	MATERIAL SPEC.	COMMENTS:	

ARMSTRONG

TITLE: **6800 HMP SERIES 4PUMP SV16**

SIZE: **A1** DRG. NO. **PX10746** REV **B**

SCALE: 1:8 WEIGHT: KG SHEET 1 OF 1