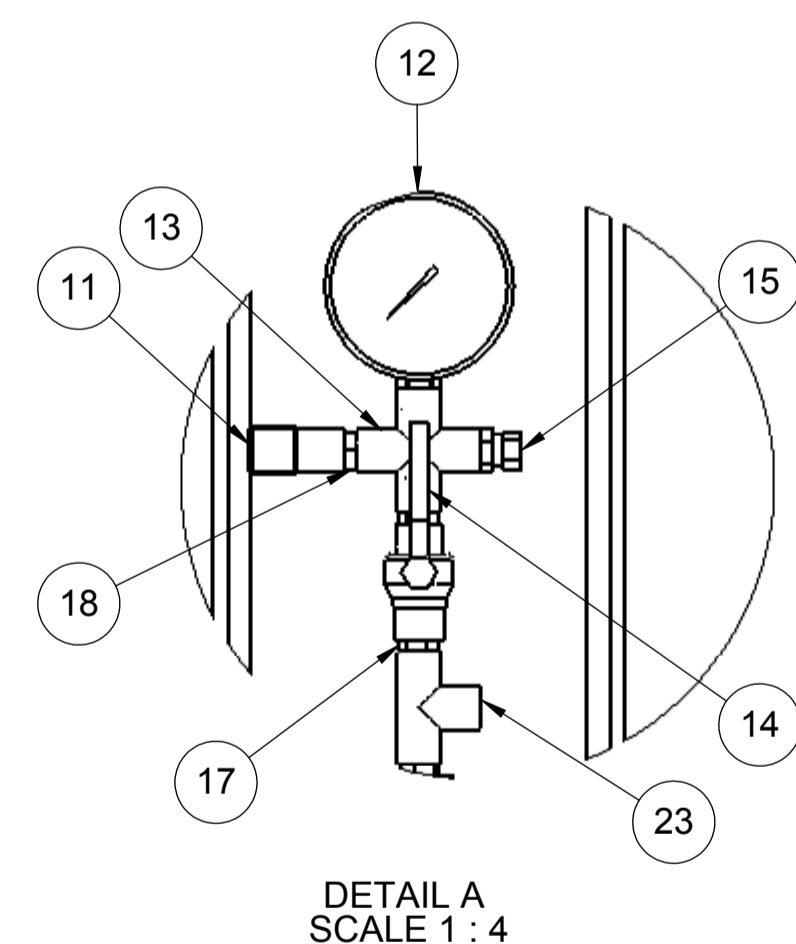
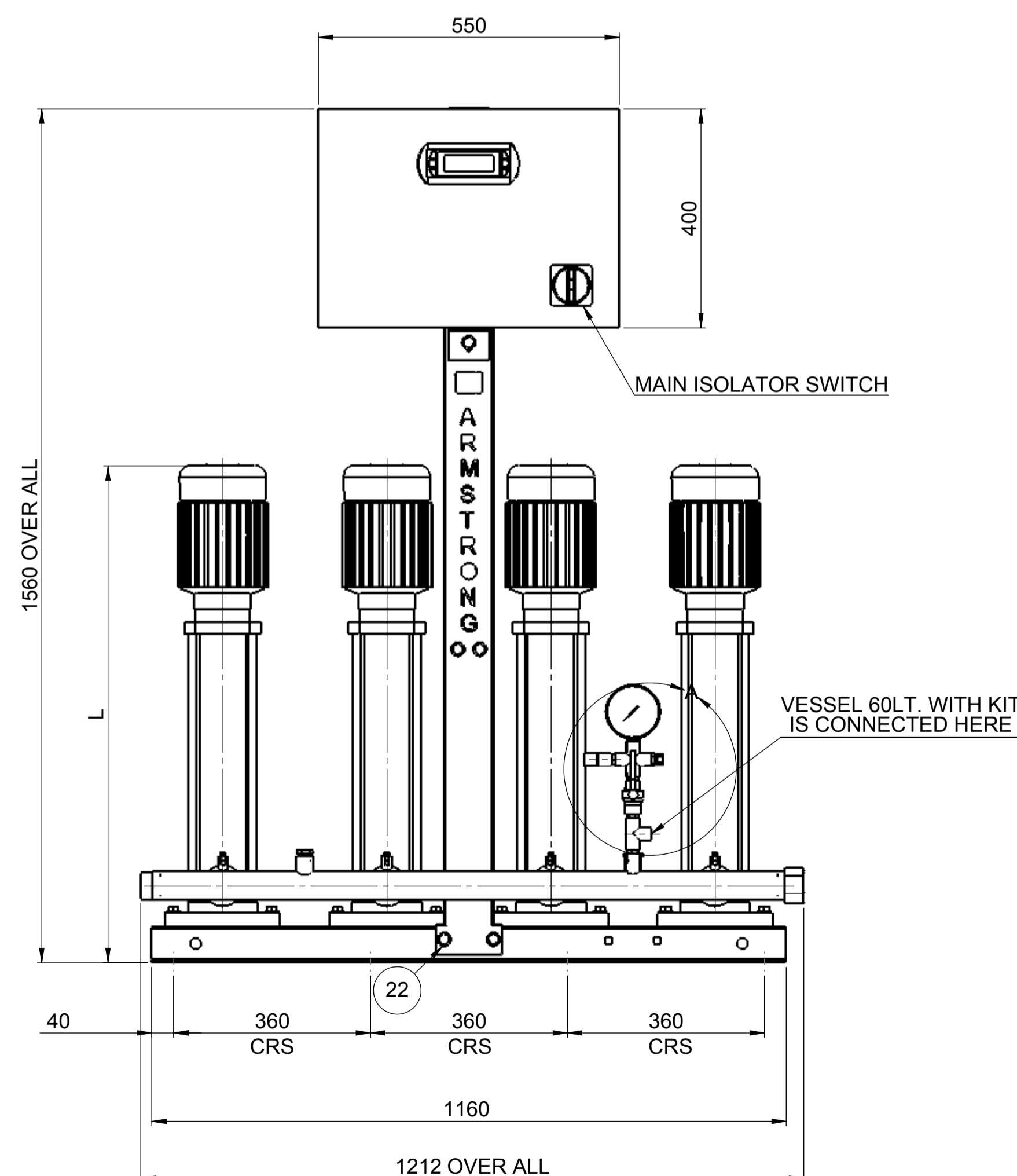
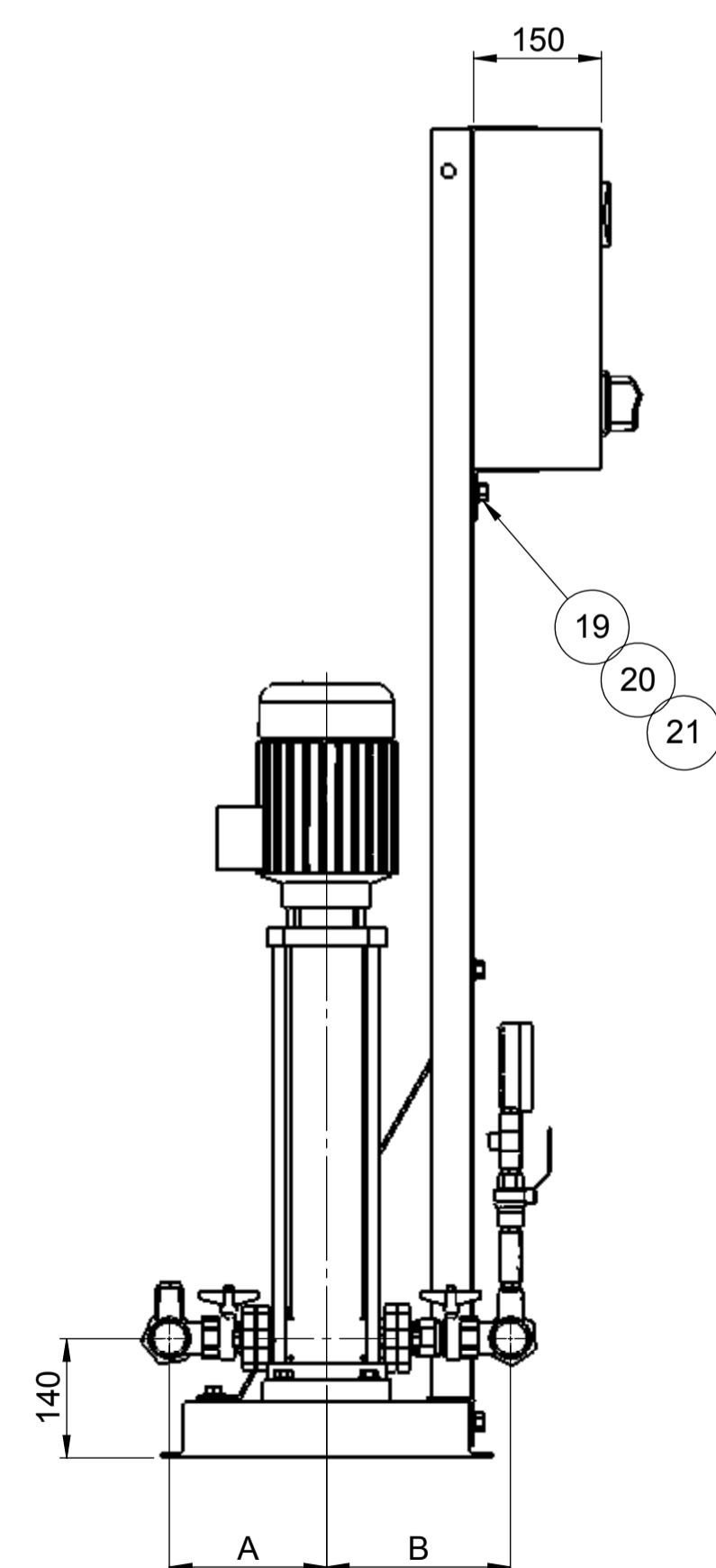
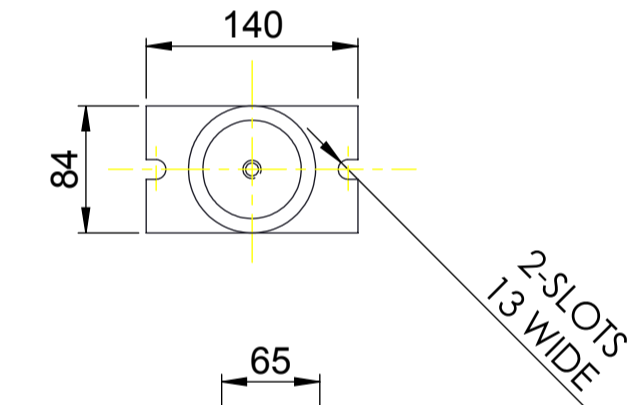


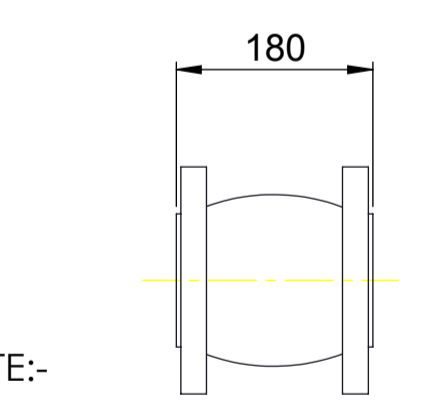
PUMP SIZE	MOTOR KW	FLC AMPS 3x415W	PUMP WEIGHT KGS	SET WEIGHT KGS	VESSEL SIZE LTRS	WORKING PRESSURE MAX BAR	TEST PRESSURE MAX BAR	STARTING CURRENT	L MM	A MM	B MM
SV0202	0.55	1.5	17.5	130	60	2.2	24	4	559	185	217
SV0203	0.55	1.5	18	131	60	3.1	24	4	584	185	217
SV0204	0.55	1.5	19	133	60	4.2	24	4	621	185	217
SV0205	0.55	1.5	21.5	138	60	5.3	24	4	661	185	217
SV0206	0.75	1.9	22	139	60	6.3	24	6	686	185	217
SV0207	0.75	1.9	23	141	60	7.4	24	6	748	185	217
SV0208	1.1	2.6	23.5	142	60	8.4	24	6	773	185	217
SV0209	1.1	2.6	24	143	60	9.4	24	6	798	185	217
SV0211	1.1	2.6	31	157	60	11.5	24	6	858	185	217
SV0212	1.5	3.6	31.5	158	60	12.6	24	6	883	185	217



ANTI-VIBRATION MOUNTINGS OPTIONAL ONLY SUPPLIED WHEN ORDERED (4-PER SET K2092/10)



FLEXIBLE CONNECTORS OPTIONAL ONLY SUPPLIED WHEN ORDERED (2-PER SHEET)



- NOTE:-
- 1) MAIN POWER SUPPLY TO PANEL MUST BE SIZED TO COVER ALL PUMPS RUNNING AT THE SAME TIME
 - 2) LARGE STORAGE VESSELS, IF ORDERED, WILL BE SUPPLIED LOOSE FOR POSITIONING FOR CLIENT TO SUIT THE AVAILABLE FLOOR SPACE. CLIENT IS TO PROVIDE A CONNECTION FROM THE VESSEL TO THE DELIVERY PIPEWORK ADJACENT TO THE SET. ISOLATING AND DRAIN VALVES SHOULD BE FITTED IN THIS CONNECTION
 - 3) 60LT TANK WILL BE SUPPLIED LOOSE AND SHOULD BE ASSEMBLED ON SITE
 - 4) FLANGES ARE AVAILABLE BOTH IN 16 & 25 BAR VERSION
 - 5) FOR STANCHION SELECTION USE DRAWING NO. PK14967

ITEM NO	DESCRIPTION	NO. OFF
1	BASE PLATE	1
2	BOLT - M12	16
3	WASHER - M12	16
4	CAGE NUT - M12	16
5	VMS PUMP	4
6	SUCTION/DISCHARGE MANIFOLD ASSY	2
7	ISOLATING VALVE 1"	8
8	NRV 1"	4
9	SUPPORT RIB	1
10	STANCHION	1
11	PRESSURE TRANSDUCER	1
12	PRESSURE GAUGE	1
13	FEMALE CROSS 1/2"	1
14	ISOLATING VALVE 1/2"	1
15	AIR VENT 1/4"	1
16	CONTROL PANEL	1
17	1/2" NIPPLE	3
18	1/2" x 1/4" REDUCING BUSH	3
19	BOLT - M10	9
20	WASHER - M10	9
21	NUT - M10	3
22	CAGE NUT - M10	6
23	1/2" T	1
24	END CAP	2

REV:	DATE:	DRN BY:	CHECKED BY:	APP. BY:

PROPRIETARY AND CONFIDENTIAL
THIS DRAWING IS THE PRIVATE AND CONFIDENTIAL PROPERTY OF ARMSTRONG ALL COPYRIGHT, MANUFACTURING AND SALES RIGHTS RESERVED.

PART No.	UNLESS OTHERWISE SPECIFIED:	NAME	DATE
JOB No.	DIMENSIONS ARE IN MM	DRAWN	04/03/08
DESIGN No.	WELD SYMBOLS TO BS 499	CHECKED	
PATTERN No.	SURFACE FINISH SHOWN IN U.S.	Q.A.	
FILE NAME	MACHINE WHERE SHOWN TO TOLERANCE ± 0.3	MFG APPR.	
FINISH	DIMENSIONING AND TOLERANCING PER BS 308	ENG APPR.	
	MATERIAL SPEC:	COMMENTS:	

ARMSTRONG

TITLE: **6800 HMP SERIES 4PUMP SV02**

SIZE: **A1** DRG. NO.: **PX10734** REV: **B**

SCALE: 1:8 WEIGHT: KG SHEET 1 OF 1