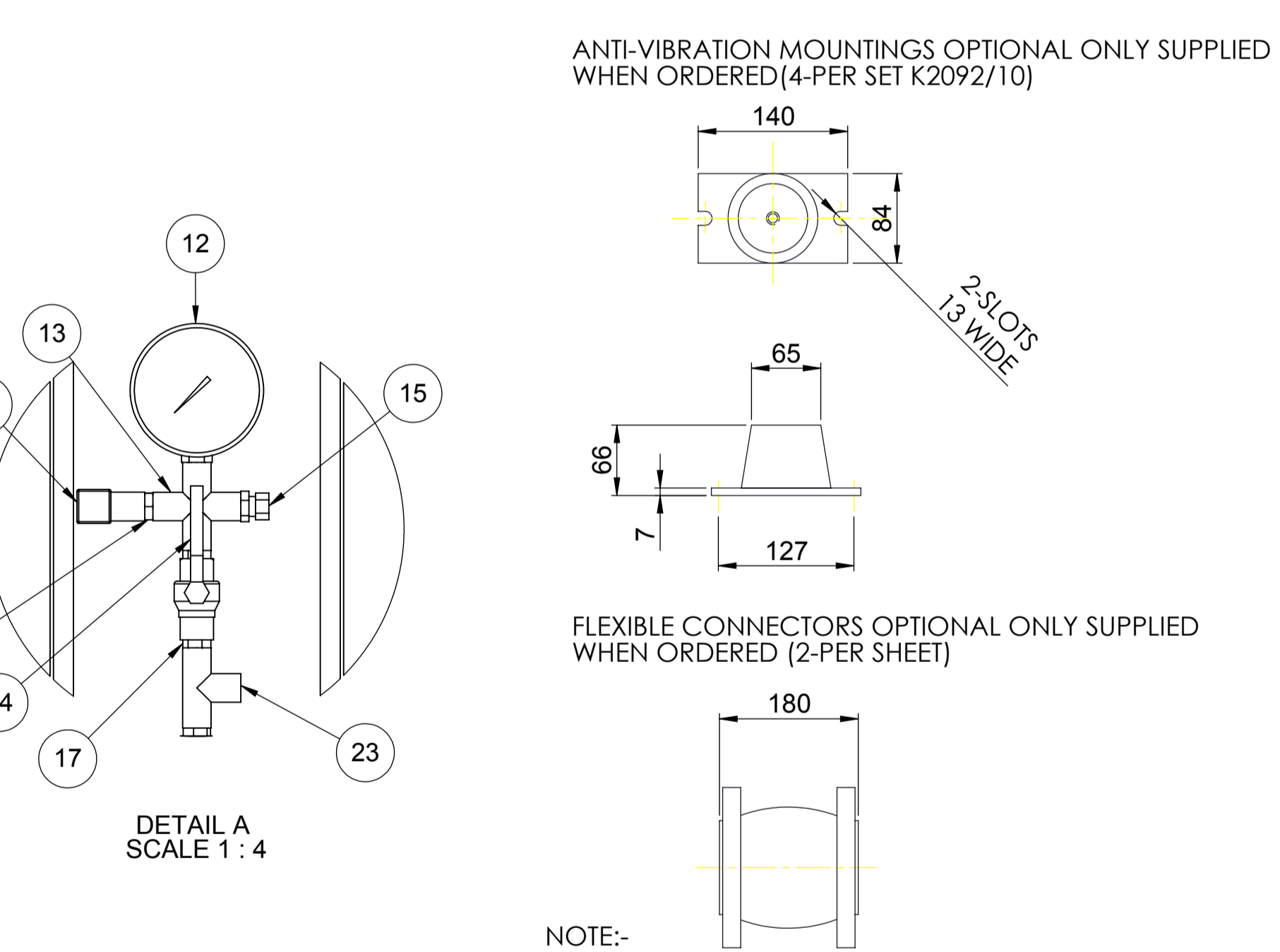
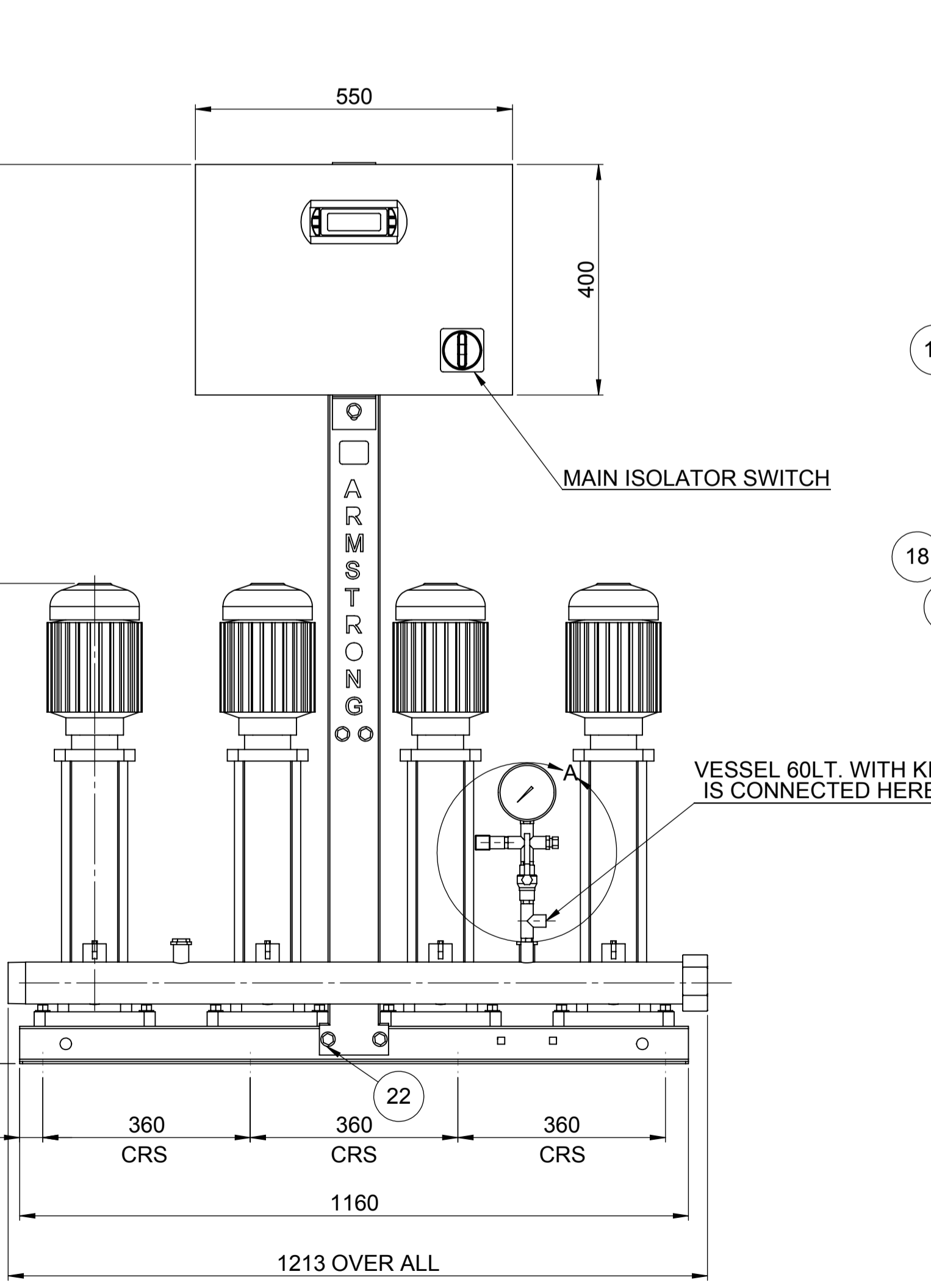
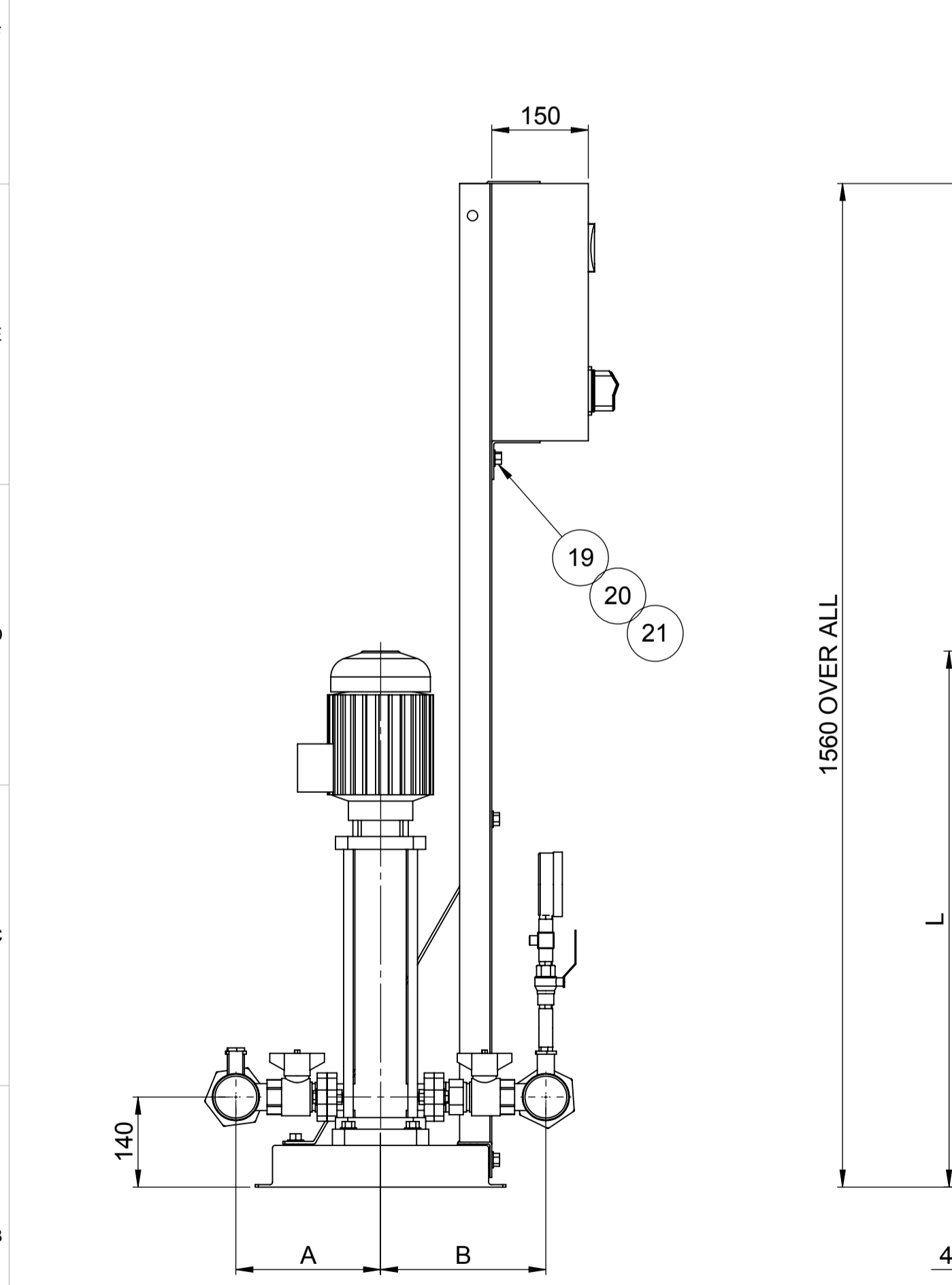


PUMP SIZE	MOTOR KW	FLC AMPS 3x415W	PUMP WEIGHT KGS	SET WEIGHT KGS	VESSEL SIZE LTRS	WORKING PRESSURE MAX BAR	TEST PRESSURE MAX BAR	STARTING CURRENT	L MM	A MM	B MM
SV0402	0.55	1.5	17.5	140	60	2	24	4	559	225	257
SV0403	0.55	1.5	18.5	142	60	2.9	24	4	606	225	257
SV0404	0.75	1.9	21	147	60	3.9	24	6	636	225	257
SV0405	1.1	2.6	22	149	60	4.9	24	6	698	225	257
SV0406	1.1	2.6	22.5	150	60	5.9	24	6	723	225	257
SV0407	1.1	2.6	23	151	60	6.9	24	6	748	225	257
SV0408	1.5	3.6	29.5	164	60	1.8	24	6	783	225	257
SV0409	1.5	3.6	30	165	60	8.8	24	6	808	225	257
SV0411	2.2	5	32	169	60	10.8	24	10	858	225	257
SV0413	2.2	5	33	171	60	12.8	24	10	908	225	257
SV0414	3	6.6	39	183	60	13.8	24	16	983	225	257



- NOTE:-
- 1) MAIN POWER SUPPLY TO PANEL MUST BE SIZED TO COVER ALL PUMPS RUNNING AT THE SAME TIME
 - 2) LARGE STORAGE VESSELS, IF ORDERED, WILL BE SUPPLIED LOOSE FOR POSITIONING FOR CLIENT TO SUIT THE AVAILABLE FLOOR SPACE. CLIENT IS TO PROVIDE A CONNECTION FROM THE VESSEL TO THE DELIVERY PIPEWORK ADJACENT TO THE SET. ISOLATING AND DRAIN VALVES SHOULD BE FITTED IN THIS CONNECTION
 - 3) 60LT TANK WILL BE SUPPLIED LOOSE AND SHOULD BE ASSEMBLED ON SITE
 - 4) FLANGES ARE AVAILABLE BOTH IN 16 & 25 BAR VERSION
 - 5) FOR STANCHION SELECTION USE DRAWING NO. PK1496Z

ITEM NO	DESCRIPTION	NO. OFF
1	BASE PLATE	1
2	BOLT - M12	16
3	WASHER - M12	16
4	CAGE NUT - M12	16
5	VMS PUMP	4
6	SUCTION/DISCHARGE MANIFOLD ASSY	2
7	ISOLATING VALVE 1 1/4"	8
8	NRV 1 1/4"	4
9	SUPPORT RIB	1
10	STANCHION	1
11	PRESSURE TRANSDUCER	1
12	PRESSURE GAUGE	1
13	FEMALE CROSS 1/2"	1
14	ISOLATING VALVE 1/2"	1
15	AIR VENT 1/4"	1
16	CONTROL PANEL	1
17	1/2" NIPPLE	3
18	1/2" x 1/4" REDUCING BUSH	3
19	BOLT - M10	9
20	WASHER - M10	9
21	NUT - M10	3
22	CAGE NUT - M10	6
23	1/2" T	1
24	END CAP	2

PART No. _____ JOB No. _____ DESIGN No. _____ PATTERN No. _____ FILE NAME _____ FINISH _____		UNLESS OTHERWISE SPECIFIED: DIMENSIONS ARE IN mm WELD SYMBOLS TO BS 499 SURFACE FINISH SHOWN IN UTM MACHINE WHERE SHOWN IN UTM TO TOLERANCE ± 0.3 DIMENSIONING AND TOLERANCING PER BS 308 MATERIAL SPEC: _____ MATERIAL SPEC: _____		NAME: _____ DATE: _____ DRAWN: _____ CHECKED: _____ Q.A. _____ MFG APPR. _____ ENG APPR. _____ COMMENTS: _____		ARMSTRONG TITLE: 6800 HMP SERIES 4PUMP SV4 SIZE: A1 DRG. NO. PX10738 REV B SCALE: 1:8 WEIGHT: KG SHEET 1 OF 1	
LAST MODIFICATION DETAILS		PROPRIETARY AND CONFIDENTIAL THIS DRAWING IS THE PRIVATE AND CONFIDENTIAL PROPERTY OF ARMSTRONG ALL COPYRIGHT, MANUFACTURING AND SALES RIGHTS RESERVED.		DO NOT SCALE		DRAWING RELEASE LEVEL: _____	
REV: _____	DATE: - _____	DRN BY: - _____	CHECKED BY: - _____	APP. BY: - _____	THIRD ANGLE PROJECTION		