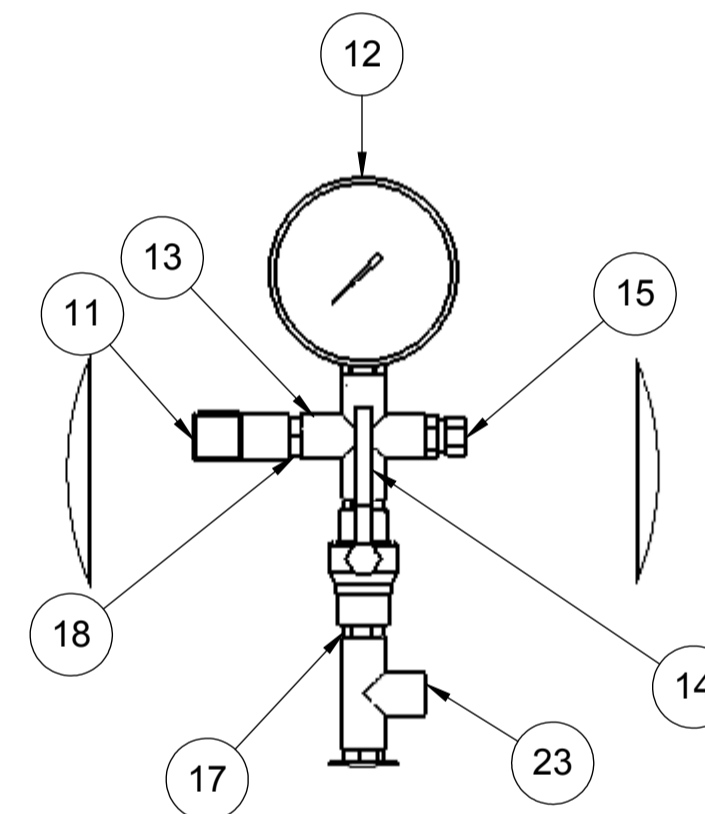
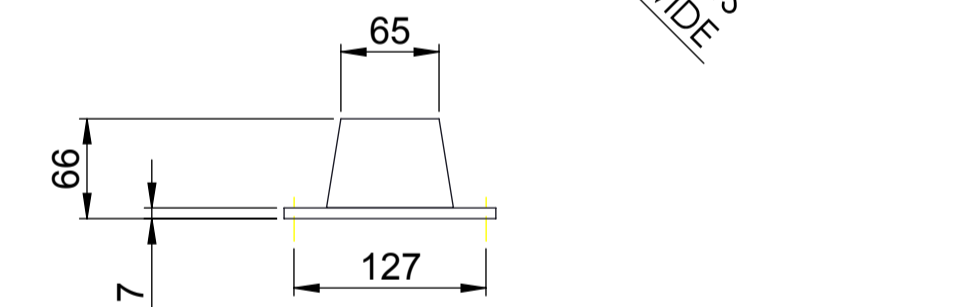
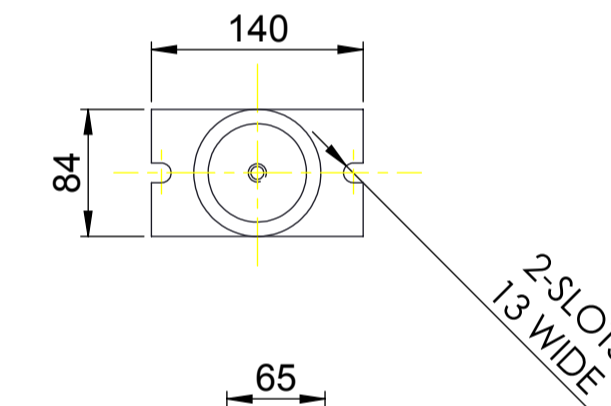


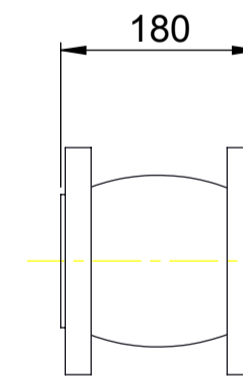
PUMP SIZE	MOTOR KW	FLC AMPS 3x415W	PUMP WEIGHT KGS	SET WEIGHT KGS	VESSEL SIZE LTRS	WORKING PRESSURE MAX BAR	TEST PRESSURE MAX BAR	STARTING CURRENT	L MM
SV3301	3	6.6	70	811	60	2.4	24	16	857
SV3302-2	4	8.5	78	827	60	3.4	24	20	936
SV3302-1	4	8.5	78	827	60	4	24	20	936



ANTI-VIBRATION MOUNTINGS OPTIONAL ONLY SUPPLIED WHEN ORDERED(4-PER SET K2092/10)

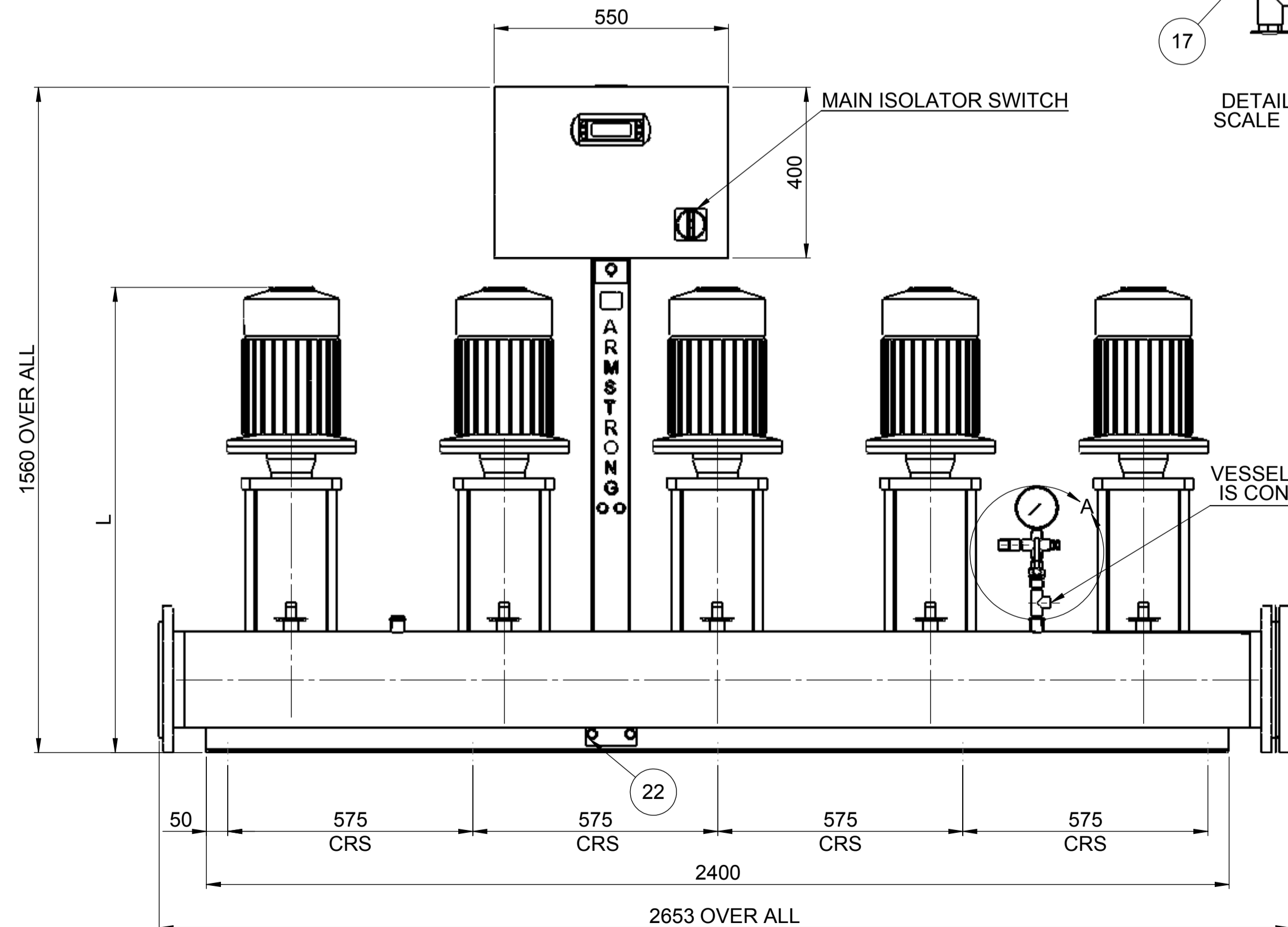
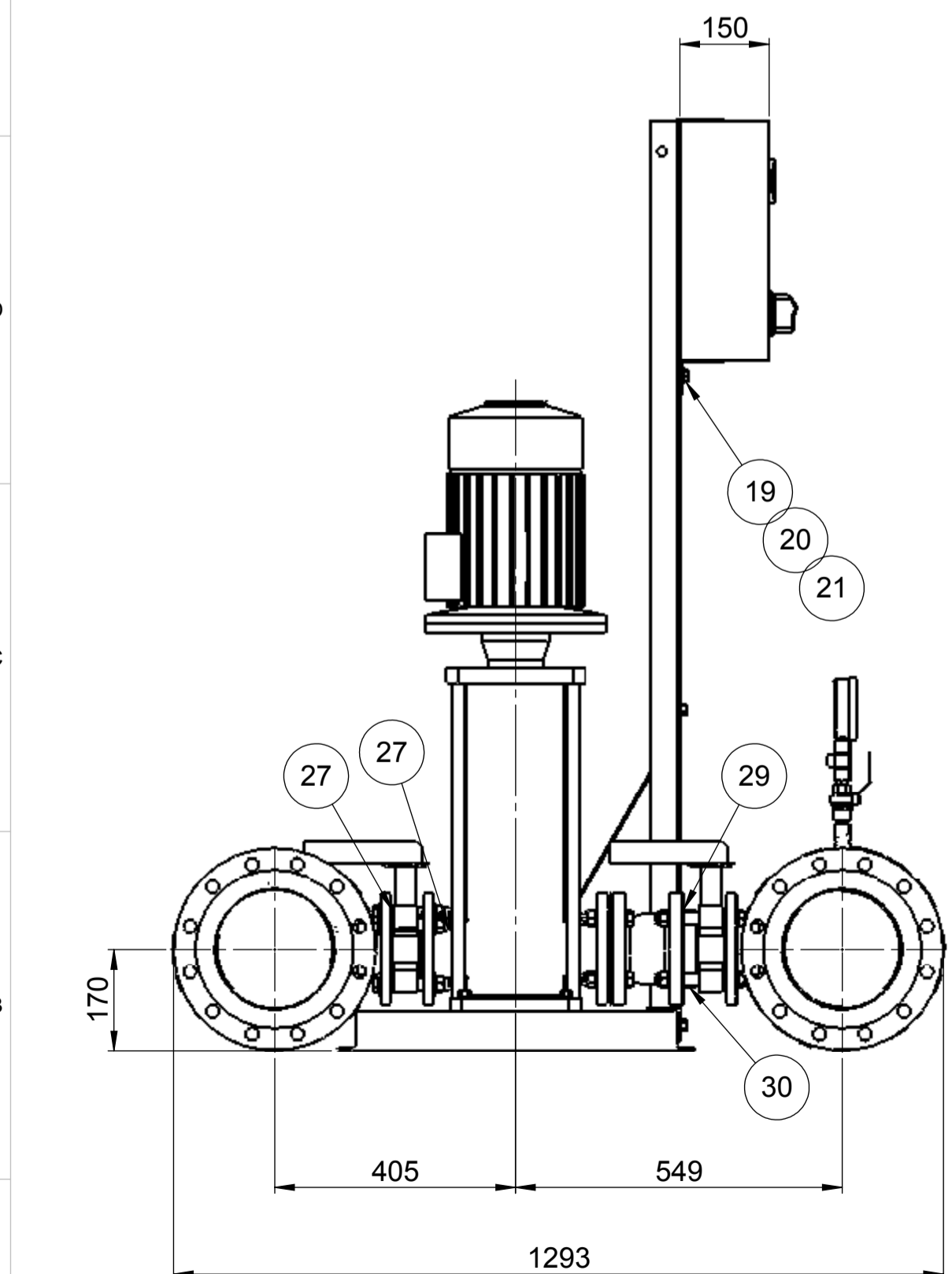


FLEXIBLE CONNECTORS OPTIONAL ONLY SUPPLIED WHEN ORDERED (2-PER SHEET)



NOTE:-

- 1) MAIN POWER SUPPLY TO PANEL MUST BE SIZED TO COVER ALL PUMPS RUNNING AT THE SAME TIME
- 2) LARGE STORAGE VESSELS, IF ORDERED, WILL BE SUPPLIED LOOSE FOR POSITIONING FOR CLIENT TO SUIT THE AVAILABLE FLOOR SPACE. CLIENT IS TO PROVIDE A CONNECTION FROM THE VESSEL TO THE DELIVERY PIPEWORK ADJACENT TO THE SET. ISOLATING AND DRAIN VALVES SHOULD BE FITTED IN THIS CONNECTION
- 3) 60L TANK WILL BE SUPPLIED LOOSE AND SHOULD BE ASSEMBLED ON SITE
- 4) FLANGES ARE AVAILABLE BOTH IN 16 & 25 BAR VERSION
- 5) FOR STANCHION SELECTION USE DRAWING NO. PK14967



ITEM NO	DESCRIPTION	NO. OFF
1	BASE PLATE	1
2	BOLT - M12	20
3	WASHER - M12	20
4	CAGE NUT - M12	20
5	VMS PUMP	5
6	SUCTION/DISCHARGE MANIFOLD ASSY	2
7	ISOLATING VALVE 2 1/2"	10
8	NRV 2 1/2"	5
9	SUPPORT RIB	1
10	STANCHION	1
11	PRESSURE TRANSDUCER	1
12	PRESSURE GAUGE	1
13	FEMALE CROSS 1/2"	1
14	ISOLATING VALVE 1/2"	1
15	AIR VENT 1/4"	1
16	CONTROL PANEL	1
17	1/2" NIPPLE	3
18	1/2" x 1/4" REDUCING BUSH	3
19	BOLT - M10	9
20	WASHER - M10	9
21	NUT - M10	3
22	CAGE NUT - M10	6
23	1/2" T	1
FASTENERS FOR PN16		
24	BOLT - M16	20
25	WASHER - M16	120
26	NUT - M16	100
27	STUD - M16x44	60
28	STUD - M16x59	20
FASTENERS FOR PN25		
24	BOLT - M16	40
25	WASHER - M16	240
26	NUT - M16	200
27	STUD - M16x54	120
28	STUD - M16x69	40
29	GASKET - 65NB	10
30	SPACER PIECE - 65NB	5

REV	DATE	DRN BY	CHECKED BY	APP BY

PROPRIETARY AND CONFIDENTIAL
THIS DRAWING IS THE PRIVATE AND CONFIDENTIAL PROPERTY OF ARMSTRONG. ALL COPYRIGHT, MANUFACTURING AND SALES RIGHTS RESERVED.

PART No.	UNLESS OTHERWISE SPECIFIED:	NAME	DATE
JOB No.	DIMENSIONS ARE IN MM	FRANKASH	05/03/08
DESIGN No.	WELD SYMBOLS TO BS 499		
PATTERN No.	SURFACE FINISH SHOWN IN UNITS		
FILE NAME	MACHINE WHERE SHOWN IN UNITS		
FINISH	TO TOLERANCE ± 0.3		
	DIMENSIONING AND TOLERANCING PER		
	BS 308		
	MATERIAL:		
	MATERIAL SPEC:		
	DO NOT SCALE		
	DRAWING RELEASE LEVEL:		

ARMSTRONG

TITLE: **6800 HMP SERIES 5PUMP SV33**

SIZE: **A1** DRG. NO.: **PX10754** REV: **B**

SCALE: 1:10 WEIGHT: KG SHEET 1 OF 1