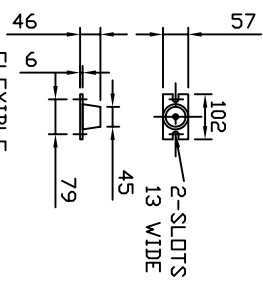


PUMP SIZE	MOTOR KW	FLC AMPS 3x415V	PUMP WEIGHT KGS	SET WEIGHT KGS
202T03T	0.37	1.33	17.5	24.6
203T03T	0.37	1.33	18.0	24.7
204T03T	0.35	1.43	19.0	25.0
205T07T	0.75	2.02	21.5	25.8
206T07T	0.75	2.02	22.0	25.9
207T11T	1.10	2.61	23.0	26.2
208T11T	1.10	2.61	23.5	26.4
209T11T	1.10	2.61	24.0	26.5
211T15T	1.50	3.45	31.0	28.6
212T15T	1.50	3.45	31.5	28.8

ANTI-VIBRATION MOUNTINGS OPTIONAL ONLY SUPPLIER WHEN ORDERED (4-PER SET K2092/1)



FLEXIBLE CONNECTORS OPTIONAL ONLY SUPPLIED WHEN ORDERED (2-PER SET)

**NOTE :-**

- 1) MAIN POWER SUPPLY TO PANEL MUST BE SIZED TO COVER ALL PUMP RUNNING AT SAME TIME
- 2) LARGE STORAGE VESSELS, IF ORDERED, WILL BE SUPPLIED LOOSE FOR POSITIONING BY CLIENT TO SUIT THE AVAILABLE FLOOR SPACE. CLIENT IS TO PROVIDE A CONNECTION FROM THE VESSEL TO THE DELIVERY PIPEWORK ADJACENT TO THE SET ISOLATING AND DRAIN VALVES SHOULD BE FITTED IN THIS CONNECTION

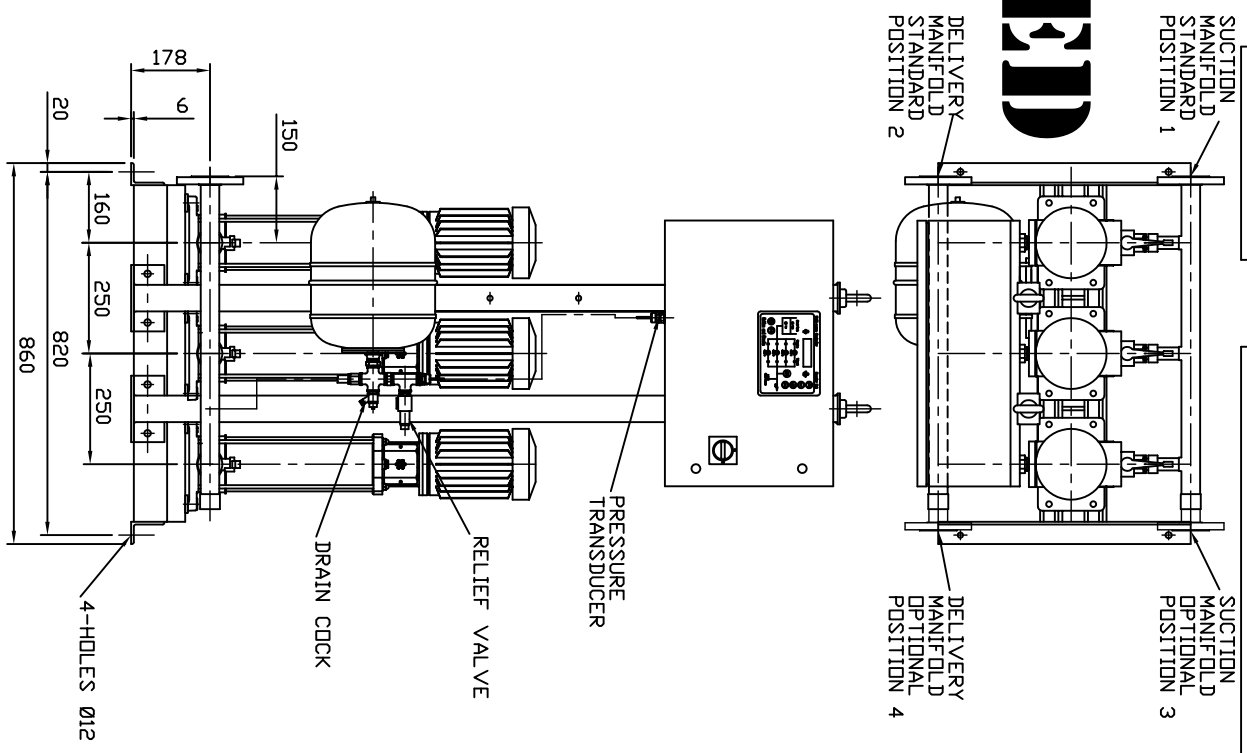
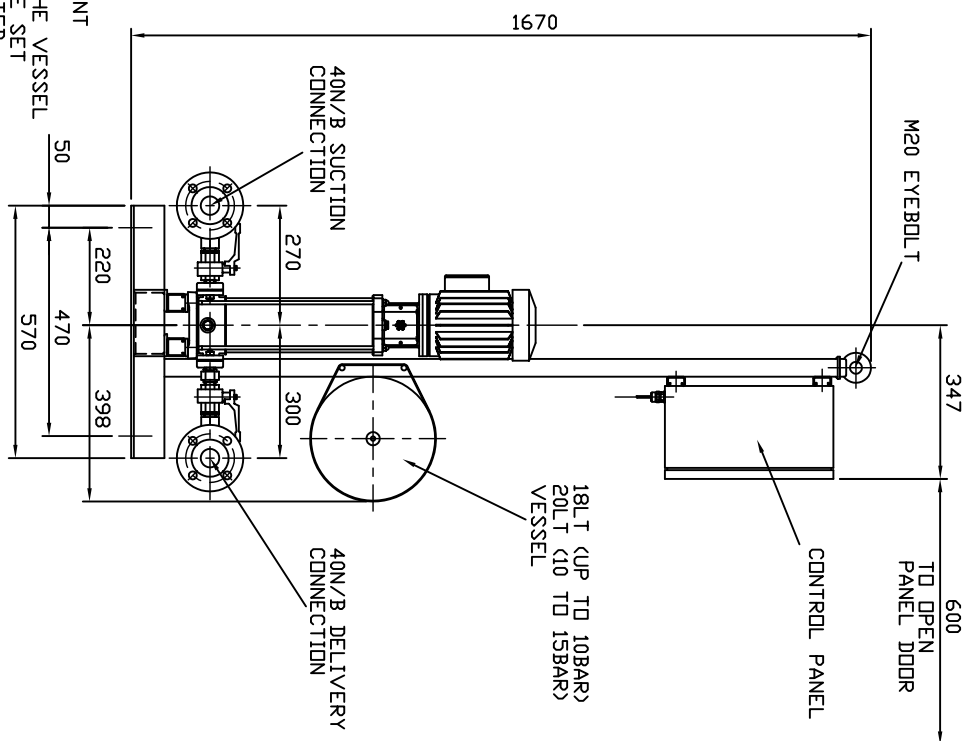
LAST MODIFICATION DETAILS  
DRAWING BORDER CHANGED

ISSUE 4	DATE 15/02/2006	DRN PJB	APP PJB
---------	-----------------	---------	---------

ALL FLANGES TO BS4504  
MAX WORKING PRESSURE  
TEST PRESSURE

16BAR  
15BAR  
22.5BAR

# UNCONTROLLED



JOB No.	PART No.	WEIGHT KG	FILE NAME
-	-	-	PX10275-4
DESIGN No.	PATTERN No.	MATERIAL	MAT'L SPEC.
-	-	-	-

TITLE  
GENERAL ARRANGEMENT  
HYDRPAK HML3 SET  
2-PUMP MODELS

DRG No.	PX10275-4
DATE 02/10/2002	DRN BSD
CHK EGU	APP EGU
SCALE NTS	SHEET 1 OF 1

**ARMSTRONG HOLDEN BROOKE PULLEN**

VENLOCK WAY, MANCHESTER, M12 5JL  
TEL: +44 (0) 161 223 2223