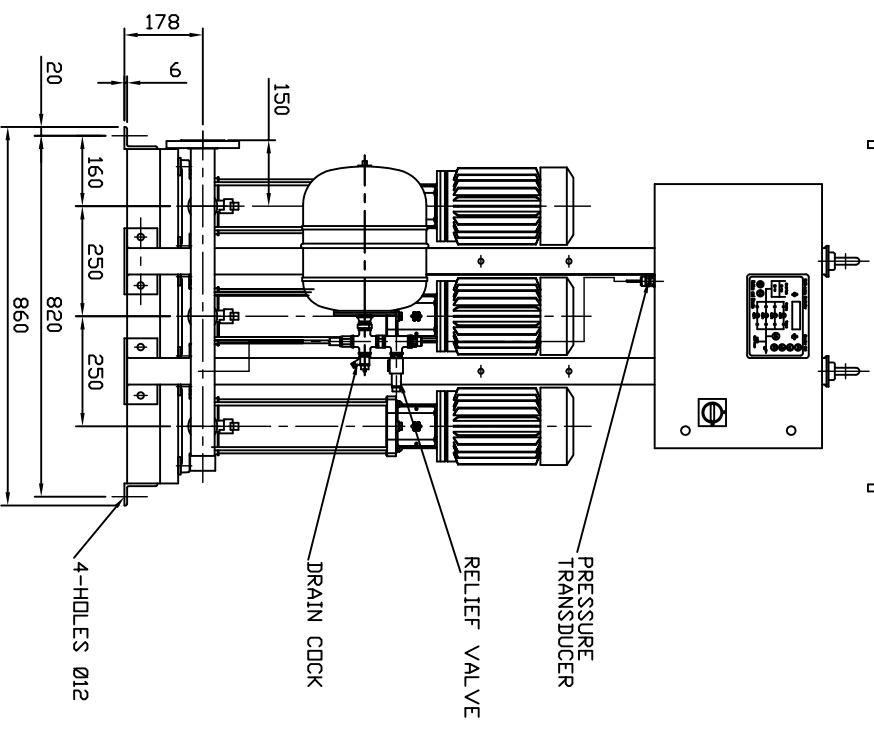
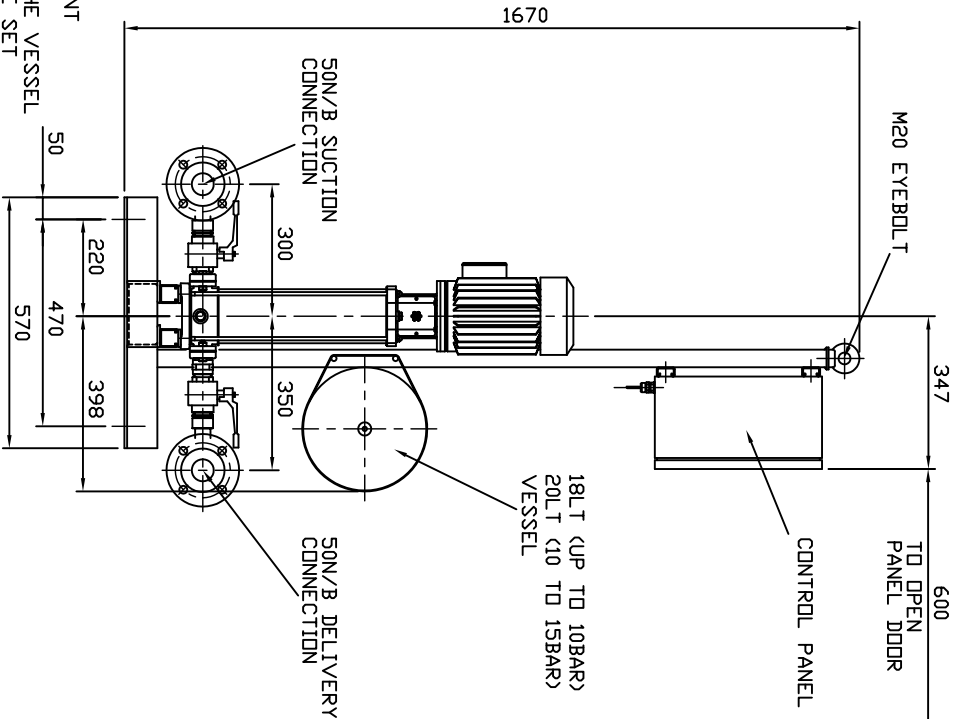
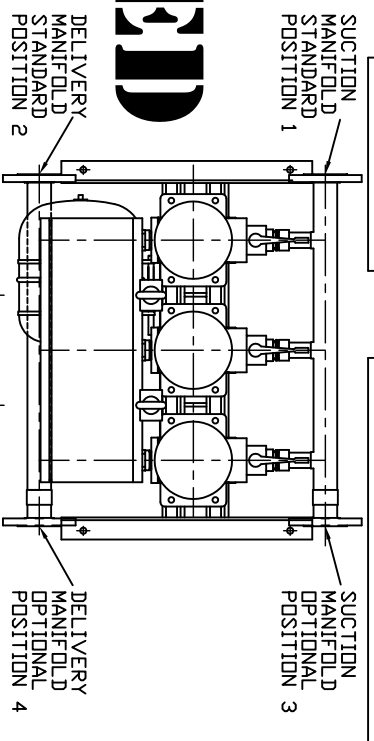


ALL FLANGES TO BS4504
 MAX WORKING PRESSURE
 TEST PRESSURE

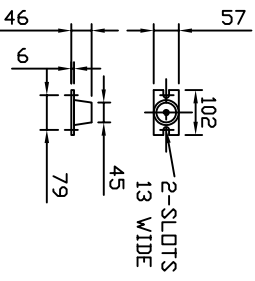
16BAR
 15BAR
 22.5BAR

PUMP SIZE	MOTOR KW	FLC AMPS 3x415V	PUMP WEIGHT KGS	SET WEIGHT KGS
402T03T	0.37	1.33	17.5	24.6
403T05T	0.55	1.43	18.5	24.9
404T07T	0.75	2.02	21.0	25.6
405T11T	1.10	2.61	22.0	25.9
406T11T	1.10	2.61	22.5	26.1
407T11T	1.10	2.61	23.0	26.2
408T15T	1.50	3.45	29.5	28.2
409T15T	1.50	3.45	30.0	28.3
411T22T	2.20	5.03	32.0	28.9
413T22T	2.20	5.03	33.0	29.2
414T30T	3.00	6.22	39.0	31.0

UNCONTROLLED



ANTI-VIBRATION MOUNTINGS OPTIONAL ONLY SUPPLIER WHEN ORDERED (4-PER SET K2092/1)



FLEXIBLE CONNECTORS OPTIONAL ONLY SUPPLIED WHEN ORDERED (2-PER SET)

NOTE :-

- 1) MAIN POWER SUPPLY TO PANEL MUST BE SIZED TO COVER ALL PUMP RUNNING AT SAME TIME
- 2) LARGE STORAGE VESSELS, IF ORDERED, WILL BE SUPPLIED LOOSE FOR POSITIONING BY CLIENT TO SUIT THE AVAILABLE FLOOR SPACE. CLIENT IS TO PROVIDE A CONNECTION FROM THE VESSEL TO THE DELIVERY PIPEWORK ADJACENT TO THE SET ISOLATING AND DRAIN VALVES SHOULD BE FITTED IN THIS CONNECTION

LAST MODIFICATION DETAILS

DRAWING BORDER CHANGED

ISSUE 4	DATE 15/02/2006	DRN PJB	APP PJB
---------	-----------------	---------	---------

ALL DIMENSIONS IN mm			
DRAWN TO BS308			
WELDING SYMBOLS TO BS499			
SURFACE FINISH SHOWN IN MICRO METERS			
MACHINE WHERE SHOWN TO TOLERANCE ± 0.3MM UNLESS OTHERWISE STATED			
JOB No.	PART No.	WEIGHT KG	FILE NAME
-	-	-	PX10278-4
DESIGN No.	PATTERN No.	MATERIAL	MAT'L SPEC.
-	-	-	-

TITLE
 GENERAL ARRANGEMENT
 HYDRPAK HML3 SET
 4-PUMP MODELS

DRG No.	PX10278-4
DATE 02/10/2002	DRN BSD
CHK EGU	APP EGU
SCALE NTS	SHEET 1 OF 1

ARMSTRONG HOLDEN BROOKE PULLEN

VENLOCK WAY, MANCHESTER, M12 5JL
 TEL: +44 (0) 161 223 2223