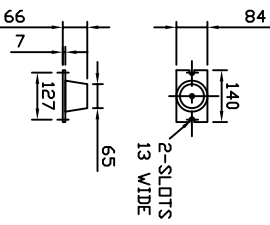
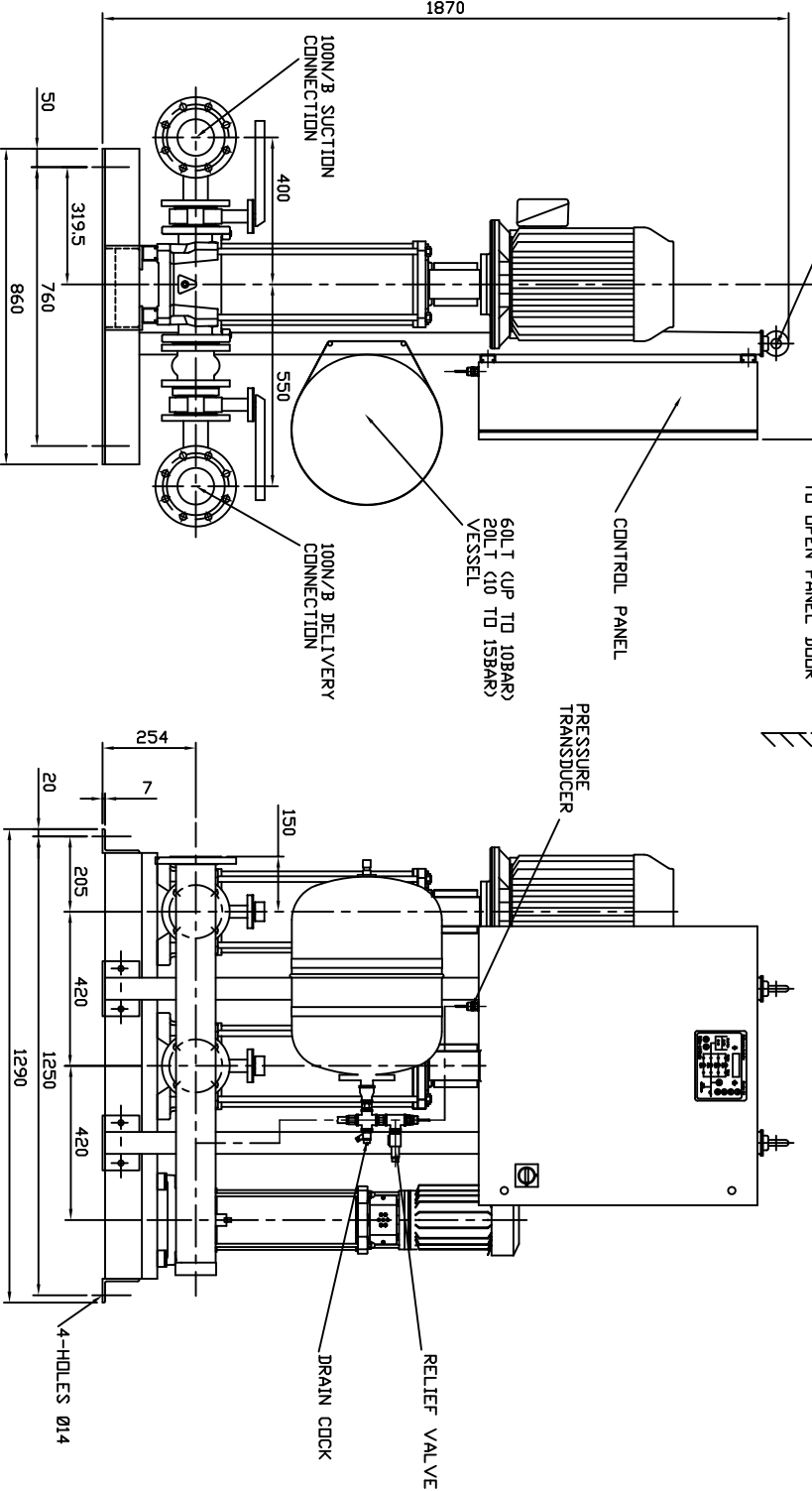
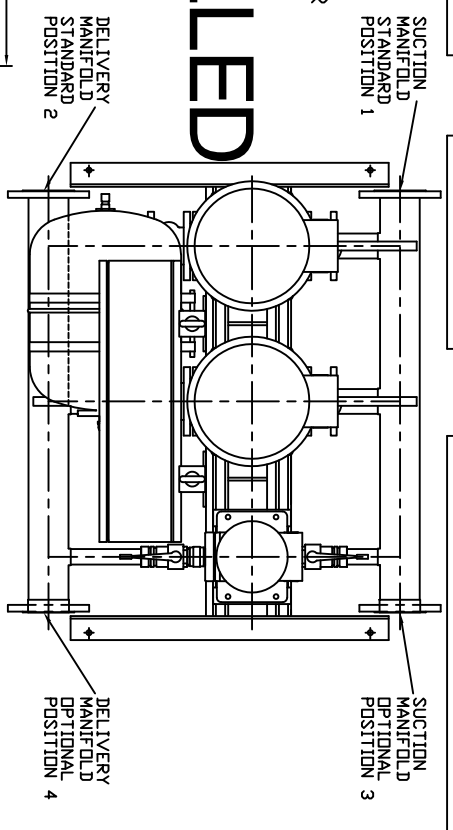


PUMP SIZE	MOTOR KW	FLC AMPS 3x415V	PUMP WEIGHT KGS	PUMP SIZE	MOTOR KW	FLC AMPS 3x415V	PUMP WEIGHT KGS	SET WEIGHT KGS
330U/1E22T	2.20	5.03	65	802E11T	1.10	2.61	25.5	540
330U/1E30T	3.00	6.01	70	802E11T	1.10	2.61	25.5	550
330U/1E40T	4.00	8.02	78	803E15T	1.50	3.45	32	560
330U/1E40T	4.00	8.02	78	803E15T	1.50	3.45	32	560
330U/1E55T	5.50	10.0	96	804E22T	2.20	5.03	34	598
330U/1E55T	5.50	10.0	96	805E22T	2.20	5.03	35	607
330U/1E75T	7.50	13.4	106	805E22T	2.20	5.03	35	619
330U/1E75T	7.50	13.4	106	805E30T	3.00	6.01	42	626
330U/1E110T	11.0	20.0	140	806E40T	4.00	8.02	58.5	711
330U/1E110T	11.0	20.0	140	806E40T	4.00	8.02	58.5	711
330U/1E110T	11.0	20.0	144	808E40T	4.00	8.02	58.3	719
330U/1E110T	11.0	20.0	144	809E40T	4.00	8.02	59.5	720
330U/1E150T	15.0	27.0	174	809E40T	4.00	8.02	59.5	780

ALL FLANGES TO BS4504
 MAX WORKING PRESSURE
 TEST PRESSURE
 16BAR
 15BAR
 22.5BAR

UNCONTROLLED



FLEXIBLE CONNECTORS, ONLY SUPPLIED WHEN ORDERED (<2-PER SET)

NOTE :-

- 1) MAIN POWER SUPPLY TO PANEL MUST BE SIZED TO COVER ALL PUMP RUNNING AT SAME TIME
- 2) LARGE STORAGE VESSELS, IF ORDERED, WILL BE SUPPLIED LOOSE FOR POSITIONING BY CLIENT TO SUIT THE AVAILABLE FLOOR SPACE. CLIENT IS TO PROVIDE A CONNECTION FROM THE VESSEL TO THE DELIVERY PIPEWORK ADJACENT TO THE SET ISOLATING AND DRAIN VALVES SHOULD BE FITTED IN THIS CONNECTION

LAST MODIFICATION DETAILS
 DRAWING BORDER CHANGED

ISSUE 1	DATE 15/02/2006	DRN PJB	APP PJB
ALL DIMENSIONS IN mm DRAWN TO BS308 WELDING SYMBOLS TO BS499 SURFACE FINISH SHOWN IN MICROMETERS MACHINE WHERE SHOWN TO TOLERANCE ± 0.3MM UNLESS OTHERWISE STATED			

JOB No.	PART No.	WEIGHT KG	FILE NAME
-	-	-	Px10488-1
DESIGN No.	PATTERN No.	MATERIAL	MAT'L SPEC.
-	-	-	-

TITLE
 GENERAL ARRANGEMENT
 HYDROPAK HML2+JOCKEY
 SET 33-PUMP+8-JOCKEY
 PUMP MODELS

DRG No.	PX10488-1
DATE 23/06/2004	DRN BSD
CHK EGU	APP EGU
SCALE NTS	SHEET 1 OF 1

ARMSTRONG HOLDEN BROOKE PULLEN
 VENLOCK WAY, MANCHESTER, M12 5JL
 TEL: +44 (0) 161 223 2223