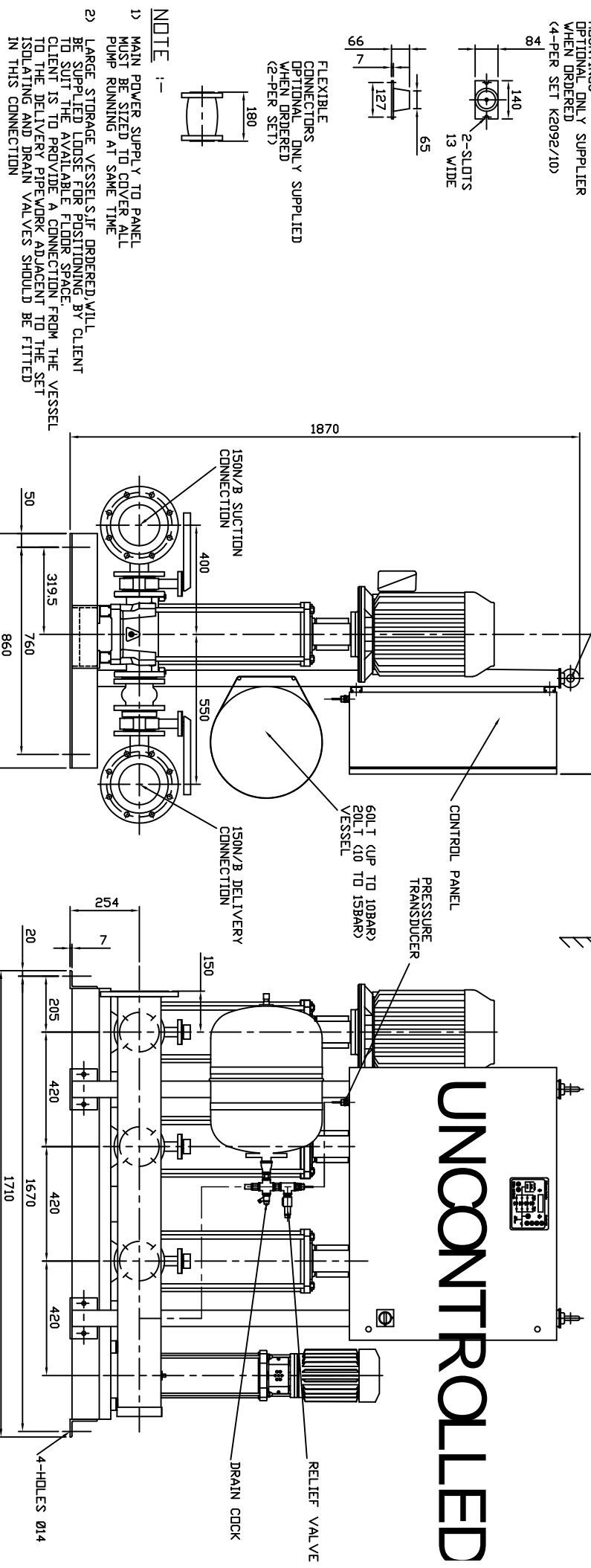
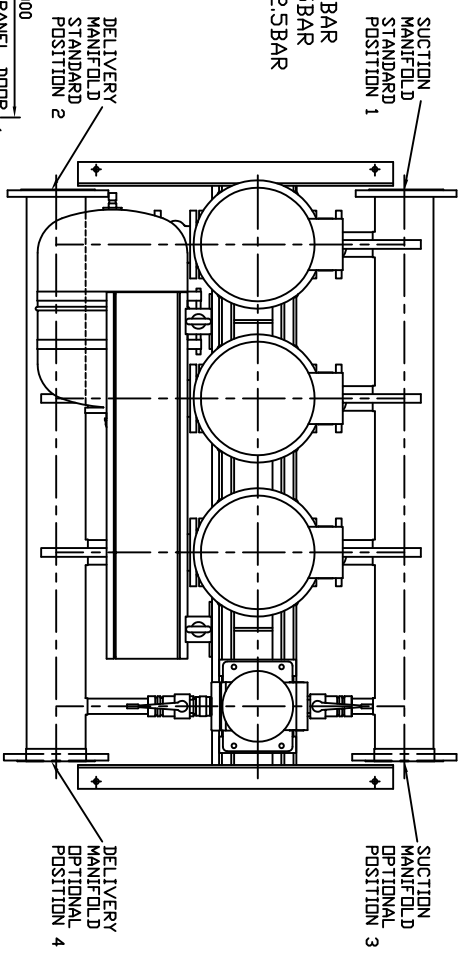


PUMP SIZE	MOTOR KW	FLC AMPS 3x415V	PUMP WEIGHT KGS	PUMP SIZE	MOTOR KW	FLC AMPS 3x415V	PUMP WEIGHT KGS	SET WEIGHT KGS
3301/1E221	2.20	5.03	65	802F11T	1.10	2.61	25.5	708
3301F30T	3.00	6.01	70	802F11T	1.10	2.61	25.5	713
3302/2F40T	4.00	8.02	78	803F15T	1.50	3.45	32	743
3302/1E40T	4.00	8.02	78	803F15T	1.50	3.45	32	743
3302P55T	5.50	10.0	96	804F22T	2.20	5.03	34	799
3303/2F55T	5.50	10.0	100	805F22T	2.20	5.03	35	812
3303/1E75T	7.50	13.4	106	805F22T	2.20	5.03	35	837
3303F75T	7.50	13.4	106	806F30T	3.00	6.01	42	849
3304/2F75T	7.50	13.4	110	806F30T	3.00	6.01	42	849
3304/1E10T	11.0	20.0	140	808F40T	4.00	8.02	58.5	956
3305/2E10T	11.0	20.0	144	808F40T	4.00	8.02	58.5	968
3305/1E10T	11.0	20.0	144	809F40T	4.00	8.02	59.5	969
3305F150T	15.0	27.0	174	809F40T	4.00	8.02	59.5	1059

ALL FLANGES TO BS4504  
MAX WORKING PRESSURE  
TEST PRESSURE



LAST MODIFICATION DETAILS		JOB No.		PART No.		WEIGHT KG		FILE NAME	
DRAWING BORDER CHANGED		-		-		-		px10489-1	
DRAWING TO BS308		DESIGN No.		PATTERN No.		MATERIAL		MAT'L SPEC.	
WELDING SYMBOLS TO BS499		-		-		-		-	
SURFACE FINISH SHOWN IN MICROMETERS		-		-		-		-	
MACHINE WHERE SHOWN TO TOLERANCE ± 0.3MM UNLESS OTHERWISE STATED		-		-		-		-	
ISSUE DATES/02/2006 DRN PJB		DATE 23/06/2004 DRN BSD		DATE 23/06/2004 DRN BSD		CHK EGU		APP EGU	
1 CHK PJB		SCALE NTS		SHEET 1 OF 1		VENLOCK WAY, MANCHESTER, M12 5JL		TEL: +44 (0) 161 223 2223	
DRAWING BORDER CHANGED		TITLE		DRG No.		PX10489-1		ARMSTRONG HOLDEN BROOKE PULLEN	
ALL DIMENSIONS IN mm		GENERAL ARRANGEMENT		PX10489-1		HYDROPAK HML3+JOCKEY SET 33-PUMP+8-JOCKEY PUMP MODELS		ARMSTRONG HOLDEN BROOKE PULLEN	