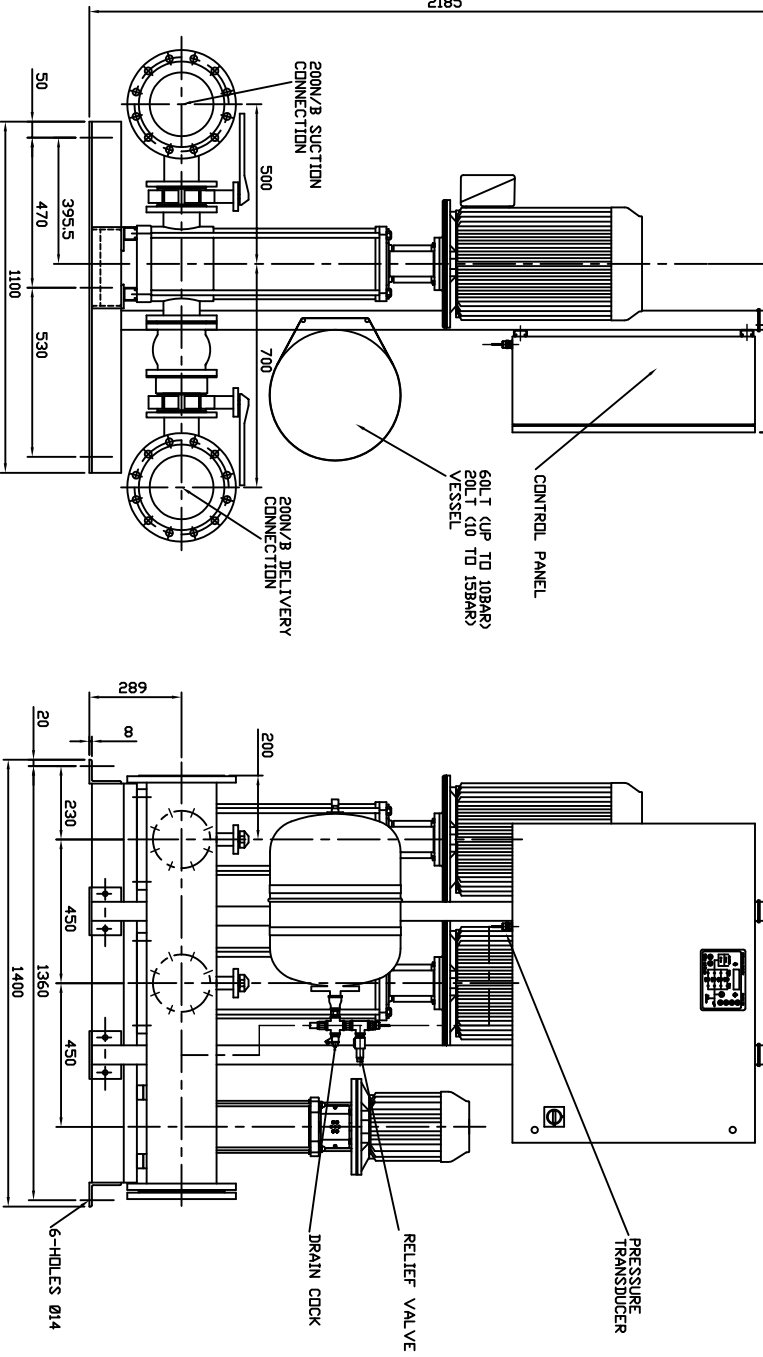
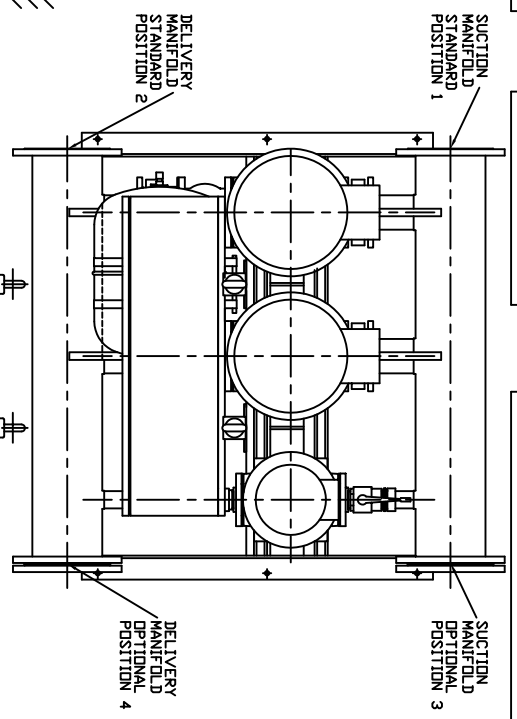


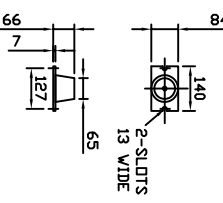
PUMP SIZE	MOTOR KW	FLC AMPS 3x415V	PUMP WEIGHT KGS	JOCKEY PUMP SIZE	MOTOR KW	FLC AMPS 3x415V	PUMP WEIGHT KGS	SET WEIGHT KGS
6601/IE40T	4.00	8.02	89	1609/22T	2.20	5.03	32	577
6601/531ST	5.30	10.7	107	1609/22T	2.20	5.03	32	613
6602/471ST	7.50	13.4	118	1609/30T	3.00	6.01	38	541
6602/4710T	11.0	20.0	148	1609/30T	3.00	6.01	38	701
6603/47150T	15.0	27.0	148	1609/40T	4.00	8.02	55	718
6603/47150T	15.0	27.0	184	1609/55T	5.50	10.0	68	803
6603/185T	18.5	33.1	202	1609/55T	5.50	10.0	68	840
6604/47185T	18.5	33.1	202	1607/75T	7.50	13.4	74	895
6604/4720T	22.0	38.9	213	1607/75T	7.50	13.4	74	867
6604/20T	22.0	38.9	213	1607/75T	7.50	13.4	74	867
6605/47300T	30.0	54.0	237	1608/75T	7.50	13.4	75	916

ALL FLANGES TO BS4504
MAX WORKING PRESSURE 16BAR
TEST PRESSURE 22.5BAR

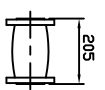
UNCONTROLLED



ANTI-VIBRATION MOUNTINGS OPTIONAL ONLY SUPPLIER WHEN ORDERED (6-PER SET K2092/10)



FLEXIBLE CONNECTORS OPTIONAL ONLY SUPPLIED WHEN ORDERED (2-PER SET)



NOTE :-
1) MAIN POWER SUPPLY TO PANEL MUST BE SIZED TO COVER ALL PUMP RUNNING AT SAME TIME
2) LARGE STORAGE VESSELS I.F. ORDERED WILL BE SUPPLIED LOOSE FOR POSITIONING BY CLIENT TO SUIT THE AVAILABLE FLOOR SPACE. CLIENT IS TO PROVIDE A CONNECTION FROM THE VESSEL TO THE DELIVERY PIPEWORK ADJACENT TO THE SET ISOLATING AND DRAIN VALVES SHOULD BE FITTED IN THIS CONNECTION

LAST MODIFICATION DETAILS		JOB No.		PART No.		WEIGHT KG		FILE NAME		TITLE	
DRAWING BORDER CHANGED		-		-		-		px10493-1		GENERAL ARRANGEMENT	
DRAWING BORDER CHANGED		DESIGN No.		PATTERN No.		MATERIAL		MATL SPEC.		HYDROPAK HML2+JOCKEY	
ISSUE DATES/02/2006 DRN PJB		-		-		-		-		SET 66-PUMP+16-JOCKEY	
CHK PJB		APP PJB		-		-		-		PUMP MODELS	
THIS DRAWING IS THE PRIVATE AND CONFIDENTIAL PROPERTY OF ARMSTRONG HOLDEN BROOKE PULLEN LTD. ALL COPYRIGHT, MANUFACTURING AND SALES RIGHTS RESERVED.											
DRG No.		PX10493-1		DATE 02/07/2004 DRN BSD		SCALE		NTS		SHEET 1 OF 1	
VENLOCK WAY, MANCHESTER, M12 5JL		TEL: +44 (0) 161 223 2223		ARMSTRONG HOLDEN BROOKE PULLEN							