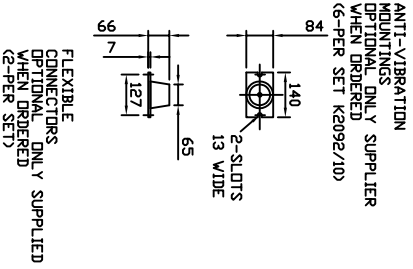
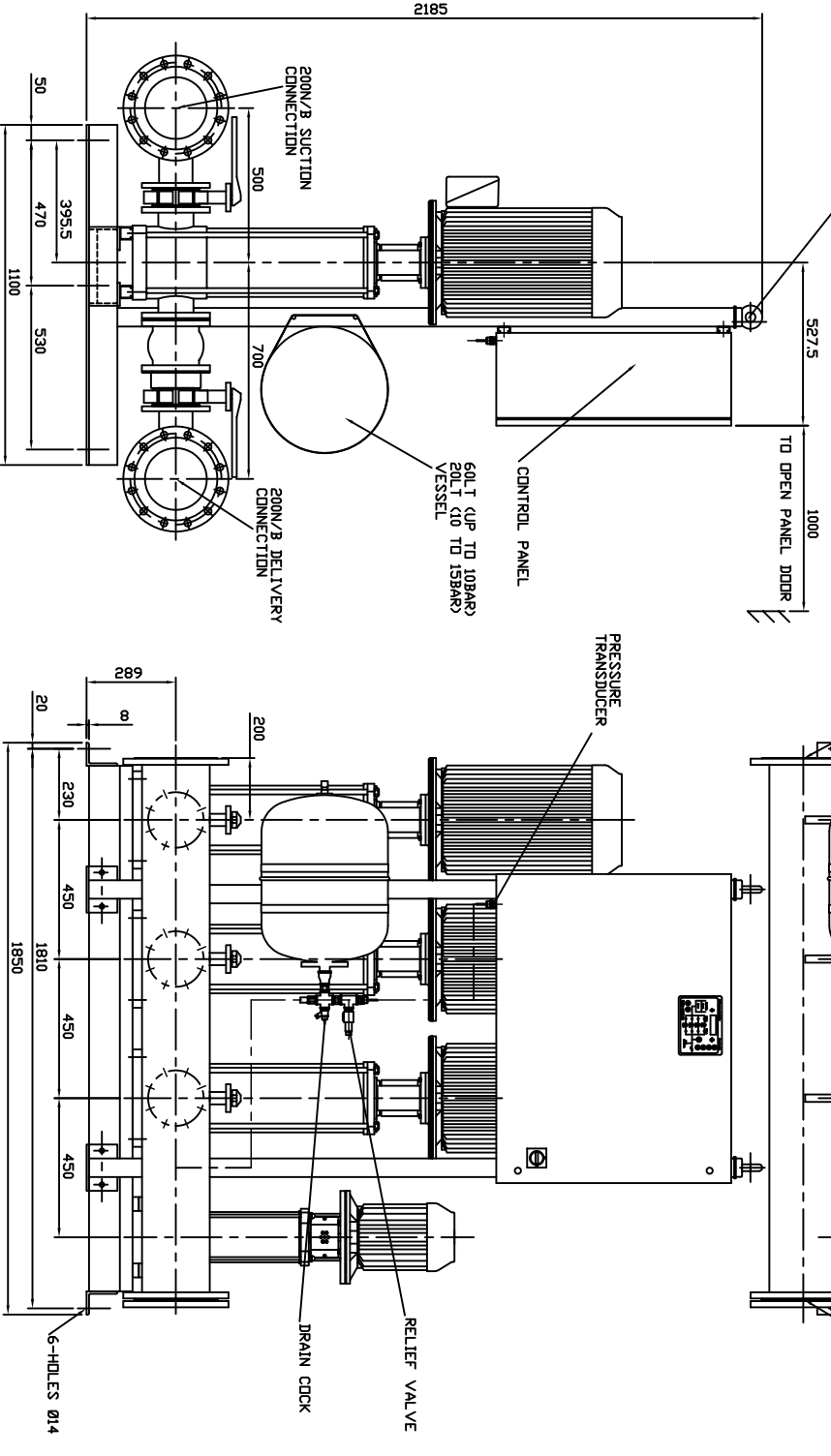
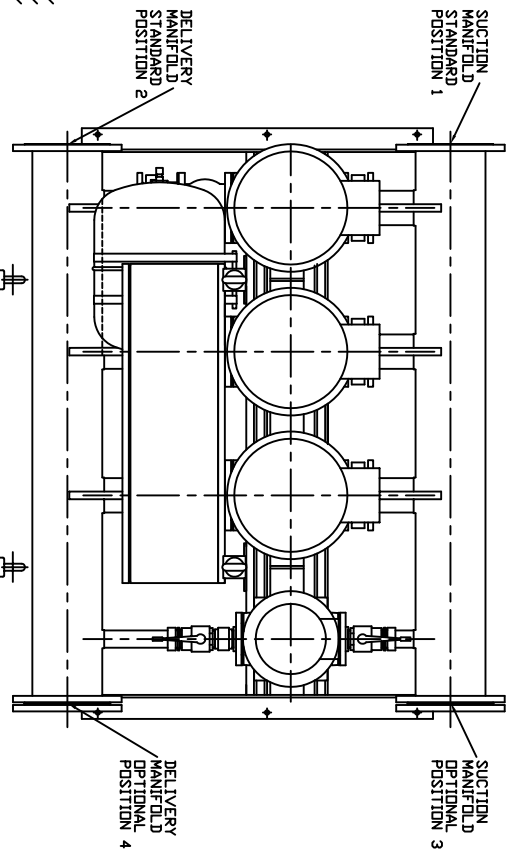


PUMP SIZE	MOTOR KW	FLC AMPS 3x415V	PUMP WEIGHT KGS	Jockey PUMP SIZE	MOTOR KW	FLC AMPS 3x415V	PUMP WEIGHT KGS	SET WEIGHT KGS
6601/1E40T	4.00	8.02	89	1602F22T	2.20	5.03	32	937
6601F55T	5.50	10.0	107	1602F22T	2.20	5.03	32	991
6602/2E75T	7.50	13.4	119	1603F30T	3.00	6.01	38	1030
6602/1E10T	11.0	20.0	149	1603F30T	3.00	6.01	38	1120
6602F11T	11.0	20.0	149	1604F40T	4.00	8.02	55	1187
6603/2E150T	15.0	27.0	184	1605F55T	5.50	10.0	68	1259
6603/1E150T	18.0	33.1	202	1605F55T	5.50	10.0	68	1359
6603F185T	18.0	33.1	202	1607F72T	7.50	13.4	74	1393
6604/2E20T	25.0	38.9	250	1607F72T	7.50	13.4	74	1391
6604F230T	25.0	38.9	250	1607F72T	7.50	13.4	74	1391
6604F230T	25.0	38.9	250	1608F73T	7.50	13.4	75	1424
6605/2E300T	30.0	54.0	297	1608F73T	7.50	13.4	75	1424

ALL FLANGES TO BS4504
MAX WORKING PRESSURE
TEST PRESSURE

16BAR
15BAR
22.5BAR

UNCONTROLLED



- NOTE :-
- 1) MAIN POWER SUPPLY TO PANEL MUST BE SIZED TO COVER ALL PUMP RUNNING AT SAME TIME
 - 2) LARGE STORAGE VESSEL SIF ORDERED WILL BE SUPPLIED LOOSE FOR POSITIONING BY CLIENT TO SUIT THE AVAILABLE FLOOR SPACE. CLIENT IS TO PROVIDE A CONNECTION FROM THE VESSEL TO THE DELIVERY PREWORK ADJACENT TO THE SET ISOLATING AND DRAIN VALVES SHOULD BE FITTED IN THIS CONNECTION

LAST MODIFICATION DETAILS
DRAWING BORDER CHANGED

ISSUE 1 DATE 15/02/2006 DRN PJB APP PJB

JOB No. - PART No. - WEIGHT KG - FILE NAME -
 DESIGN No. - PATTERN No. - MATERIAL - MAT'L SPEC. -
 TITLE: GENERAL ARRANGEMENT HYDROPAK HML3+JOCKEY SET 66-PUMP+16-JOCKEY PUMP MODELS

DRG No. PX10494-1
 DATE 02/07/2004 DRN BSD
 CHK EGU APP EGU
 SCALE NTS SHEET 1 OF 1

ARMSTRONG HOLDEN BROOKE PULLEN
 VENLOCK WAY, MANCHESTER, M12 5JL
 TEL: +44 (0) 161 223 2223