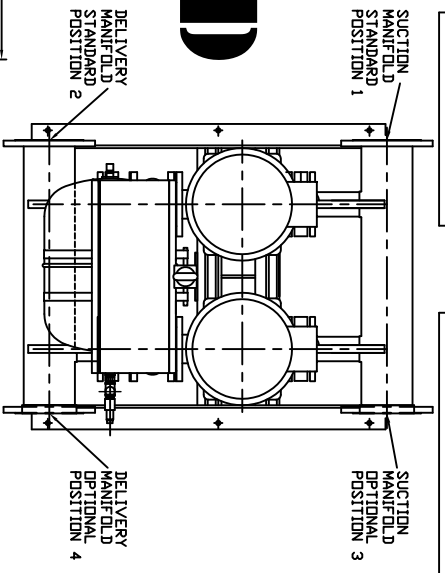


PUMP SIZE	MOTOR KW	FLC AMPS 3x415V	PUMP WEIGHT KGS	SET WEIGHT KGS
4601/1E/30T	3.00	6.01	75	490
4601/1E/40T	4.00	8.02	80	500
4602/2E/55T	5.50	10.0	108	544
4602/2E/75T	7.50	13.4	108	556
4603/2E/10T	11.0	20.0	142	624
4603/2E/110T	11.0	20.0	142	624
4604/2E/150T	15.0	27.0	176	692
4604/150T	15.0	27.0	176	692
4605/2E/195T	19.5	33.1	198	736
4605/195T	19.5	33.1	198	736

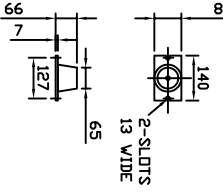
UNCONTROLLED

ALL FLANGES TO BS4504
 MAX WORKING PRESSURE
 TEST PRESSURE

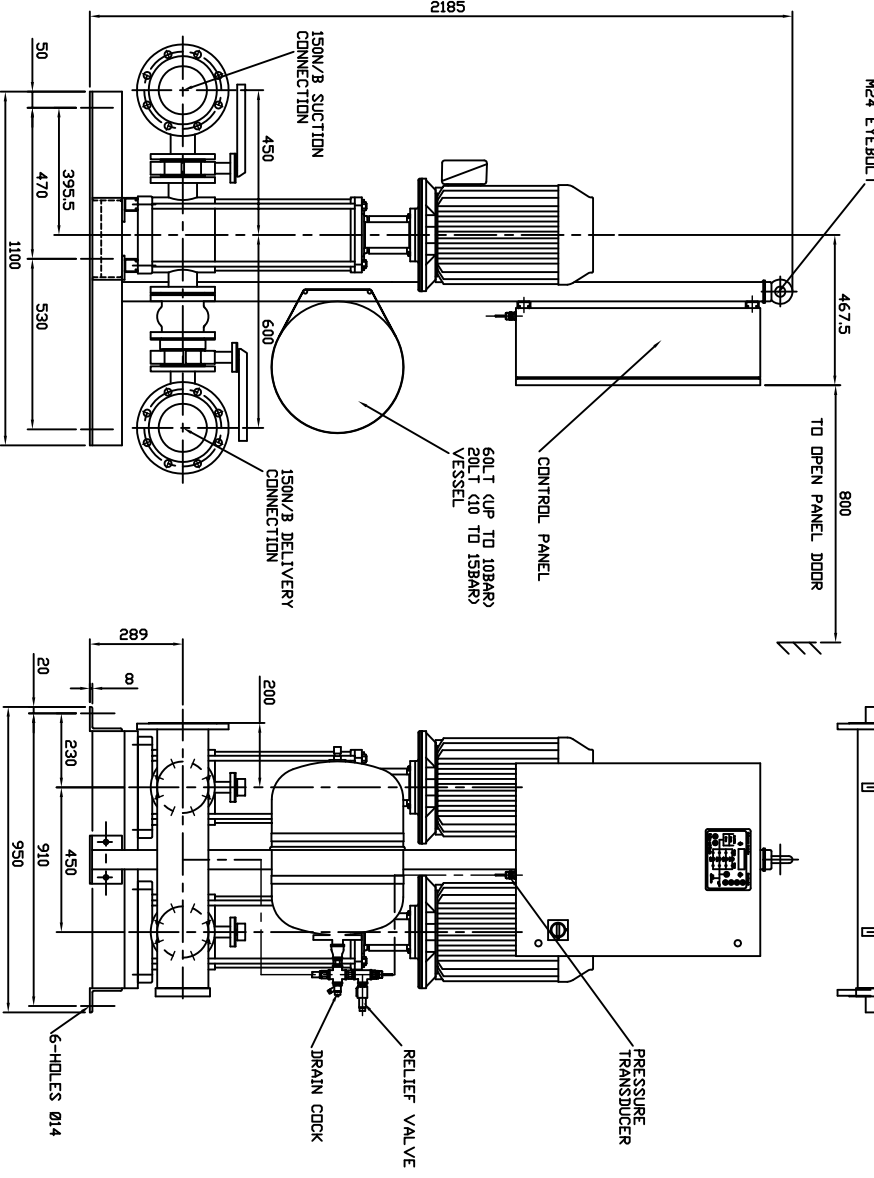
16BAR
 15BAR
 22.5BAR



ANTI-VIBRATION MOUNTINGS PROVIDED ONLY SUPPLIER WHEN ORDERED (6-PER SET K2092/10)



- NOTE :-
- 1) MAIN POWER SUPPLY TO PANEL MUST BE SIZED TO COVER ALL PUMP RUNNING AT SAME TIME
 - 2) LARGE STORAGE VESSELS IF ORDERED WILL BE SUPPLIED LOOSE FOR POSITIONING BY CLIENT TO SUIT THE AVAILABLE FLOOR SPACE. CLIENT IS TO PROVIDE A CONNECTION FROM THE VESSEL TO THE DELIVERY PIPEWORK ADJACENT TO THE SET ISOLATING AND DRAIN VALVES SHOULD BE FITTED IN THIS CONNECTION



LAST MODIFICATION DETAILS		JOB No.		PART No.		WEIGHT KG		FILE NAME		TITLE	
DRAWING BORDER CHANGED		-		-		-		px10542-1		GENERAL ARRANGEMENT	
ISSUE 1		DATE 15/02/2006		DRN PJB		APR PJB		APP PJB		HYDRPAK HML2 SET	
DRAWING SYMBOLS TO BS308		DESIGN No.		PATTERN No.		MATERIAL		MATL SPEC.		46-PUMP MODELS	
SURFACE FINISH SHOWN IN MICROMETERS		-		-		-		-		DRG No. PX10542-1	
MACHINE WHERE SHOWN TO TOLERANCE ± 0.3MM UNLESS OTHERWISE STATED		THIS DRAWING IS THE PRIVATE AND CONFIDENTIAL PROPERTY OF ARMSTRONG HOLDEN BROOKE PULLEN LTD. ALL COPYRIGHT, MANUFACTURING AND SALES RIGHTS RESERVED.		DATE 22/09/2004		DRN BSD		APP EGU		VENLOCK WAY, MANCHESTER, M12 5JL	
		SCALE		NTS		SHEET		1 OF 1		TEL: +44 (0) 161 223 2223	

