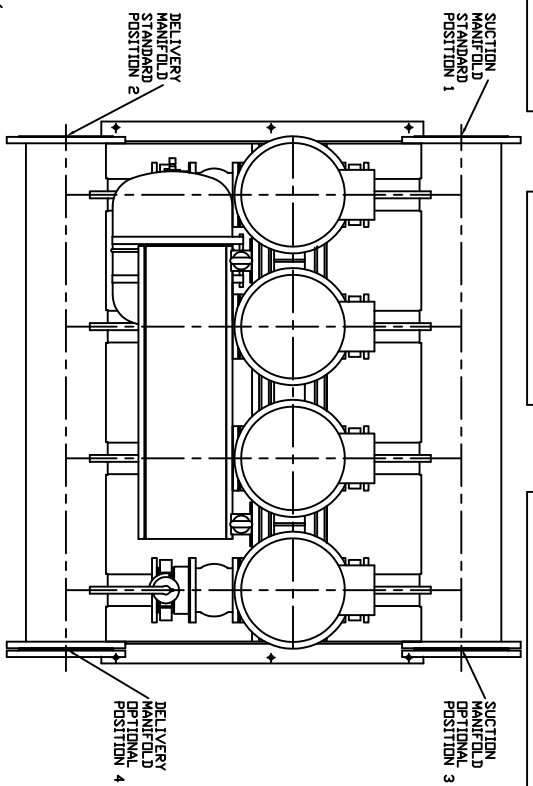


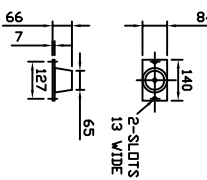
PUMP SIZE	MOTOR KW	FLC AMPS 3x415V	PUMP WEIGHT KGS	SET WEIGHT KGS
9E01F/9S1T	5.50	10.0	107	1162
9E01F/7S1T	7.50	13.4	113	1186
9E02F/2F10T	11.0	20.0	148	1325
9E02F/1S0T	15.0	27.0	178	1446
9E02F/2E19T	18.5	33.1	202	1542
9E02F/3E0T	22.0	38.9	229	1622
9E02F/5E0T	30.0	54.0	232	1656

ALL FLANGES TO BS4504
 MAX WORKING PRESSURE 15BAR
 TEST PRESSURE 22.5BAR

UNCONTROLLED



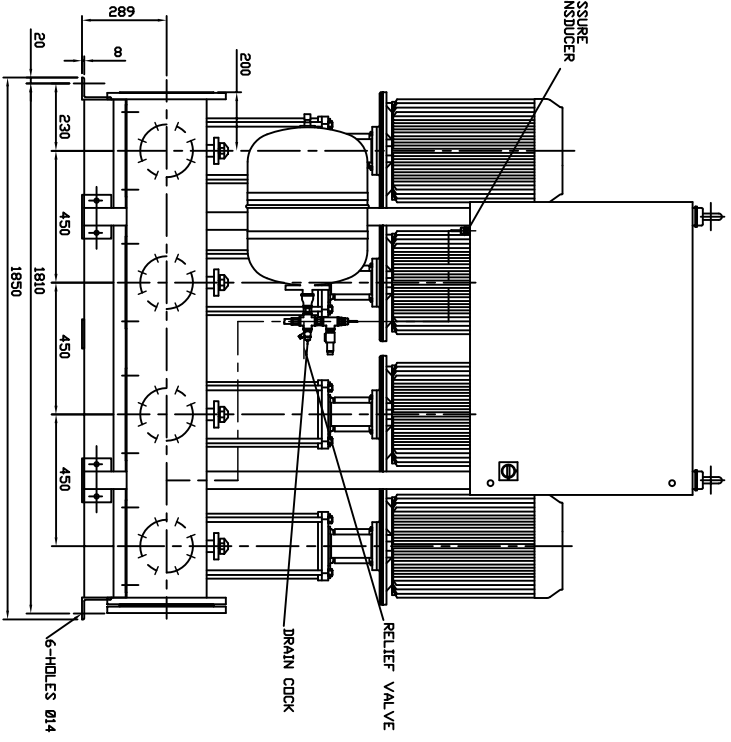
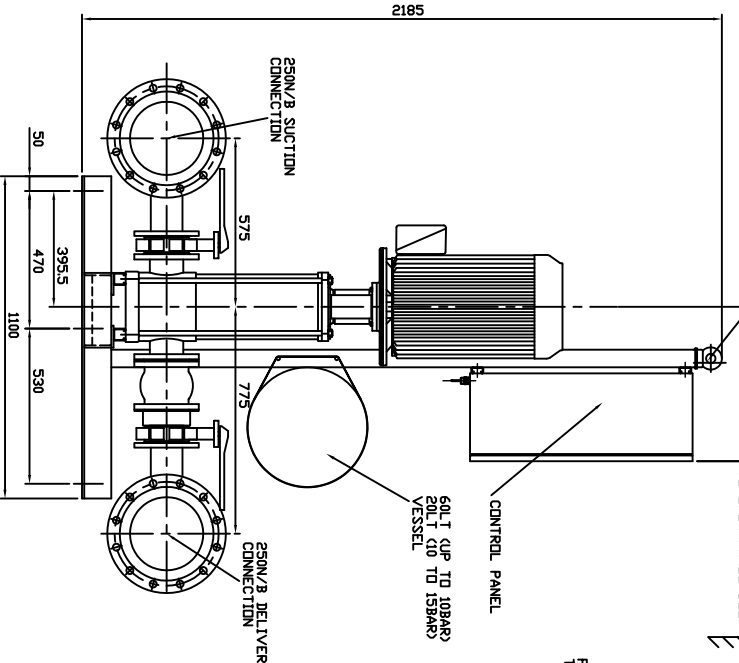
ANTI-VIBRATION MOUNTINGS SUPPLIED ONLY WHEN ORDERED
 (6-PER SET K2092/10)



FLEXIBLE CONNECTORS OPTIONAL, ONLY SUPPLIED WHEN ORDERED (6-PER SET)

NOTE :-

- 1) MAIN POWER SUPPLY TO PANEL MUST BE SIZED TO COVER PANEL PUMP RUNNING AT SAME TIME
- 2) LARGE STORAGE VESSELS IF ORDERED WILL BE SUPPLIED WITH FLANGE BY CLIENT TO SUIT THE AVAILABLE FLANGE SPACE. CLIENT IS TO PROVIDE A CONNECTION FROM THE VESSEL TO THE DELIVERY PIPEWORK ADJACENT TO THE SET ISOLATING AND DRAIN VALVES SHOULD BE FITTED IN THIS CONNECTION



LAST MODIFICATION DETAILS
 DRAWING BORDER CHANGED

ISSUE 1	DATE 15/02/2006	DRN PJB	APP PJB
---------	-----------------	---------	---------

ALL DIMENSIONS IN mm
 DRAWN TO BS308
 WELDING SYMBOLS TO BS499
 SURFACE FINISH SHOWN IN MICROMETERS
 MACHINE WHERE SHOWN TO TOLERANCE ± 0.3MM UNLESS OTHERWISE STATED

JOB No.	PART No.	WEIGHT KG	FILE NAME
-	-	-	PX10586-1
DESIGN No.	PATTERN No.	MATERIAL	MATL SPEC.
-	-	-	-

TITLE
 GENERAL ARRANGEMENT
 HYDRPAK HML 4 SET
 92-PUMP MODELS

DRG No.	PX10586-1
DATE 22/10/2004	DRN BSD
CHK EGU	APP EGU
SCALE NTS	SHEET 1 OF 1

ARMSTRONG HOLDEN BROOKE PULLEN
 VENLOCK WAY, MANCHESTER, M12 5JL
 TEL: +44 (0) 161 223 2223