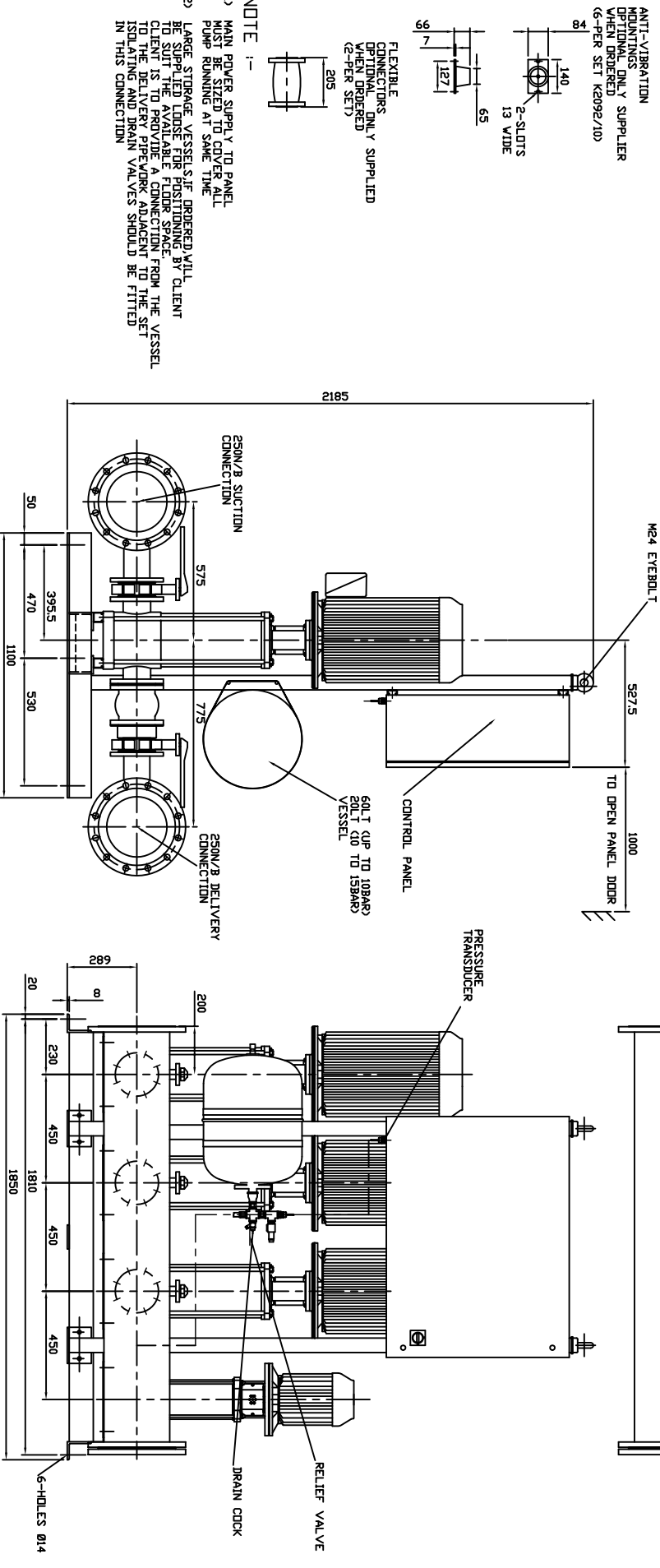
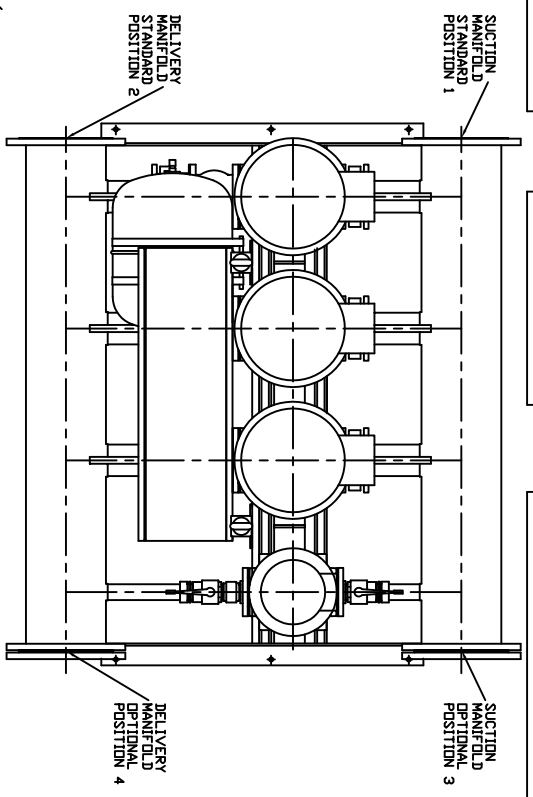


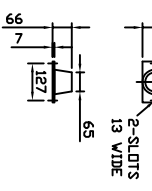
PUMP SIZE	MOTOR KW	FLC AMPS 3x415V	PUMP WEIGHT KGS	JOCKEY PUMP SIZE	MOTOR KW	FLC AMPS 3x415V	PUMP WEIGHT KGS	SET WEIGHT KGS
9901/FE5T	5.50	10.0	107	1609FE2T	2.20	5.03	32	1057
9901/FE1	7.50	13.4	113	1609FE2T	2.20	5.03	32	1075
9902/FE10T	11.0	20.0	148	1609FE3T	3.00	6.00	38	1166
9902/FE10T	15.0	27.0	178	1609FE4T	4.00	8.02	52	1293
9903/FE189T	18.5	33.1	202	1609FE5T	5.50	10.0	68	1378
9903FE20T	22.0	38.9	208	1609FE5T	5.50	10.0	69	1397
9904/FE300T	30.0	54.0	232	1607FE75T	7.50	13.4	74	1474
9904FE300T	30.0	54.0	232	1608FE75T	7.50	13.4	75	1475

ALL FLANGES TO BS41504
 MAX WORKING PRESSURE
 TEST PRESSURE
 16BAR
 15BAR
 22.5BAR

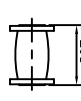
UNCONTROLLED



ANTI-VIBRATION MOUNTINGS DIMENSIONS ONLY SUPPLIER WHEN ORDERED
 6-PER SET K2092/100



FLEXIBLE CONNECTORS OPTIONAL DIMENSIONS ONLY SUPPLIED (6-PER SET)



NOTE :-
 1) MAIN POWER SUPPLY TO PANEL MUST BE SIZED TO COVER ALL PUMP RUNNING AT SAME TIME
 2) LARGE STORAGE VESSELS IF ORDERED WILL BE SUPPLIED WITH A 250N/B CONNECTION TO SUIT THE AVAILABLE FLOOR SPACE TO THE DELIVERY PIPEWORK ADJACENT TO THE VESSEL INSULATING AND DRAIN VALVES SHOULD BE FITTED IN THIS CONNECTION

LAST MODIFICATION DETAILS
 DRAWING BORDER CHANGED

ISSUE 1
 DATE 15/02/2006
 CHK PJB
 APP PJB

JOB No. -
 PART No. -
 WEIGHT KG -
 FILE NAME px10588-1

DESIGN No. -
 PATTERN No. -
 MATERIAL -
 MATL SPEC. -

TITLE
 GENERAL ARRANGEMENT
 HYDROPAK HML3+JOCKEY
 SET 92-PUMP+16JOCKEY
 PUMP MODELS

DRG No. PX10588-1
 DATE 22/10/2004
 CHK EGU
 SCALE NTS
 SHEET 1 OF 1

ARMSTRONG HOLDEN BROOKE PULLEN
 VENLOCK WAY, MANCHESTER, M12 5JL
 TEL: +44 (0) 161 223 2223