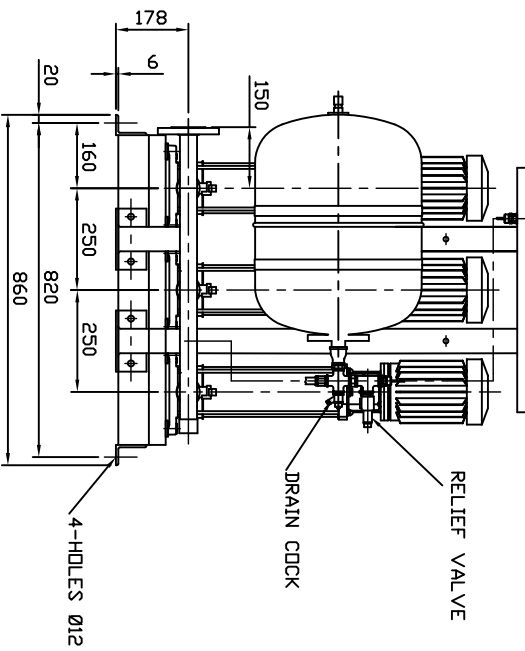
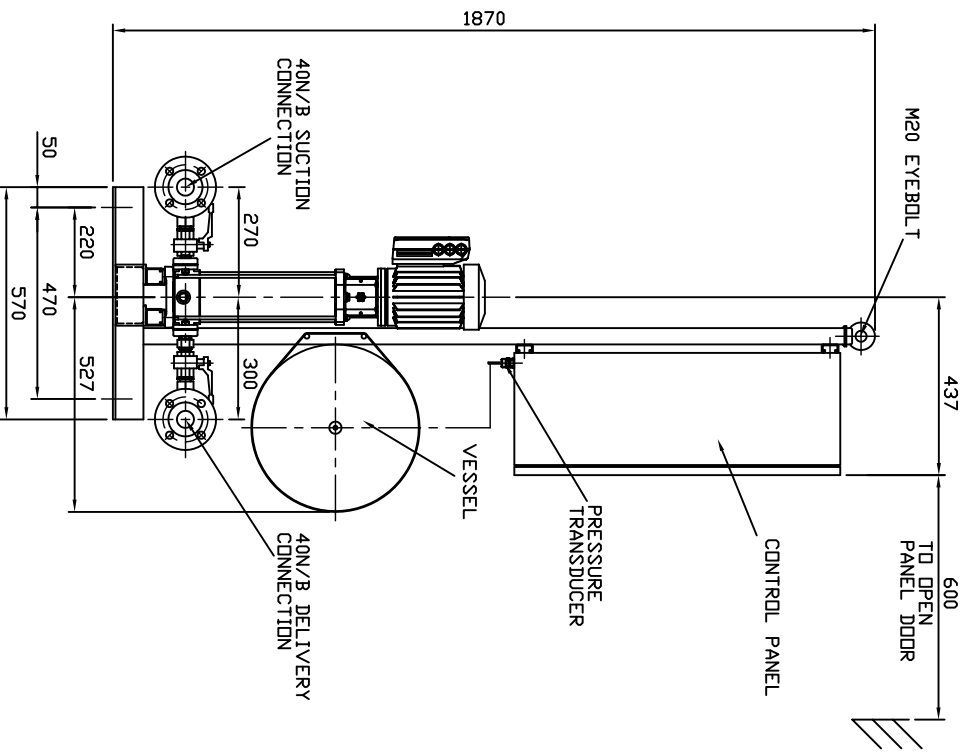
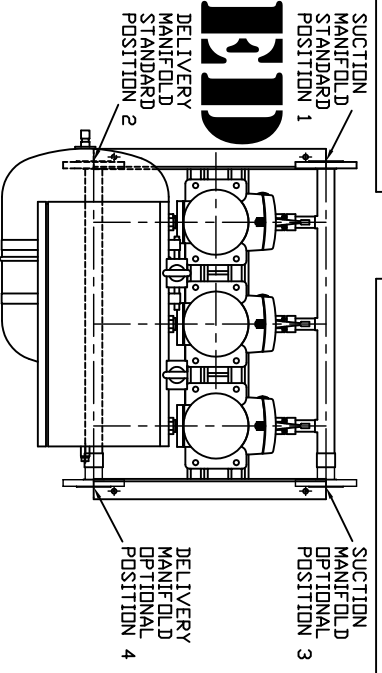


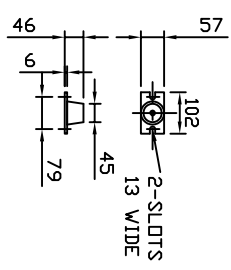
PUMP SIZE	MOTOR KW	FLC AMPS 3x415V	PUMP WEIGHT KGS	SET WEIGHT KGS	VESSEL SIZE LITRES	WORKING PRESSURE BAR	TEST PRESSURE BAR
202T05T	0.55	1.43	17.5	26.3	60	10	15.0
203T05T	0.55	1.43	18.0	26.4	60	10	15.0
204T05T	0.55	1.43	19.0	26.7	60	10	15.0
205T07T	0.75	2.02	21.5	27.5	60	10	15.0
206T07T	0.75	2.02	22.0	27.6	60	10	15.0
207T11T	1.10	2.61	23.0	27.9	60	10	15.0
208T11T	1.10	2.61	23.5	28.1	60	10	15.0
209T11T	1.10	2.61	24.0	28.2	60	10	15.0
211T15T	1.50	3.45	31.0	30.3	20	15	22.5
212T15T	1.50	3.45	31.5	30.5	20	15	22.5

# UNCONTROLLED

ALL FLANGES TO BS4504 16BAR



ANTI-VIBRATION MOUNTINGS OPTIONAL DNL Y SUPPLIER WHEN ORDERED (4-PER SET K2092/1)



FLEXIBLE CONNECTORS OPTIONAL DNL Y SUPPLIED WHEN ORDERED (2-PER SET)

**NOTE :-**

- 1) MAIN POWER SUPPLY TO PANEL MUST BE SIZED TO COVER ALL PUMP RUNNING AT SAME TIME
- 2) LARGE STORAGE VESSELS, IF ORDERED, WILL BE SUPPLIED LOOSE FOR POSITIONING BY CLIENT TO SUIT THE AVAILABLE FLOOR SPACE. CLIENT IS TO PROVIDE A CONNECTION FROM THE VESSEL TO THE DELIVERY PIPEWORK ADJACENT TO THE SET ISOLATING AND DRAIN VALVES SHOULD BE FITTED IN THIS CONNECTION

LAST MODIFICATION DETAILS		JOB No.		PART No.		WEIGHT KG		FILE NAME	
DRAWING BORDER CHANGED		-		-		-		px10463-1	
ALL DIMENSIONS IN mm DRAWN TO BS308 WELDING SYMBOLS TO BS499 SURFACE FINISH SHOWN IN MICROMETERS MACHINE WHERE SHOWN TO TOLERANCE ± 0.3MM UNLESS OTHERWISE STATED		DESIGN No.		PATTERN No.		MATERIAL		MAT'L SPEC.	
-		-		-		-		-	
<p>THIS DRAWING IS THE PRIVATE AND CONFIDENTIAL PROPERTY OF ARMSTRONG HOLDEN BROOKE PULLEN LTD. ALL COPYRIGHT, MANUFACTURING AND SALES RIGHTS RESERVED.</p>									
ISSUE DATE: 15/02/2006		DRN PJB		APP PJB					
CHK PJB		APP PJB							
<p><b>ARMSTRONG HOLDEN BROOKE PULLEN</b></p> <p>VENLOCK WAY, MANCHESTER, M12 5JL TEL: +44 (0) 161 223 2223</p>									