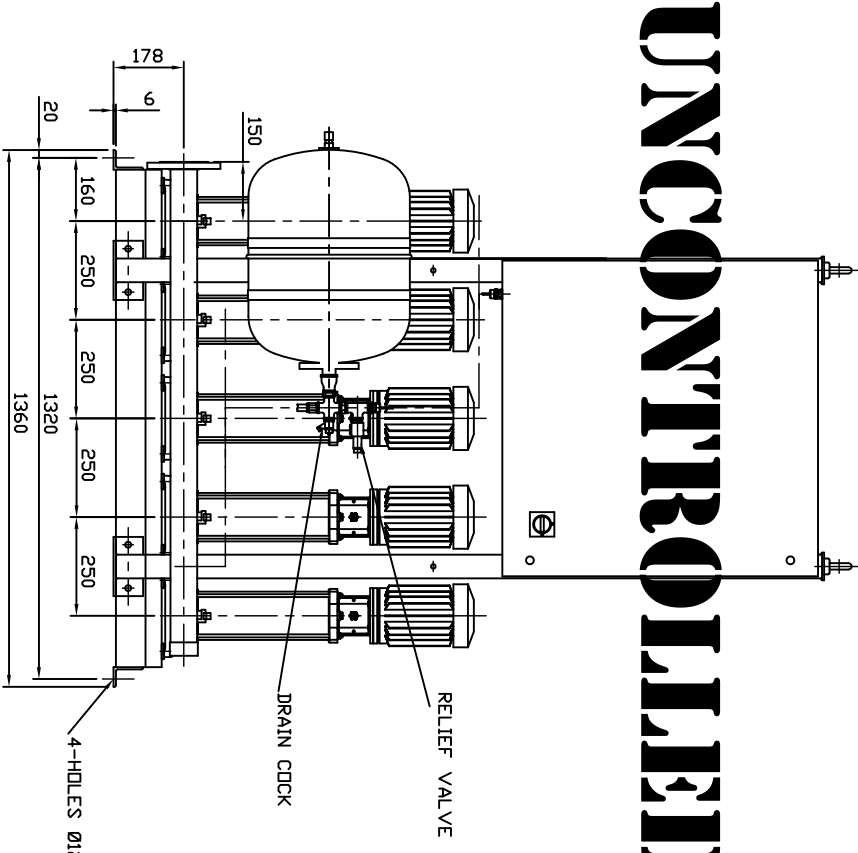
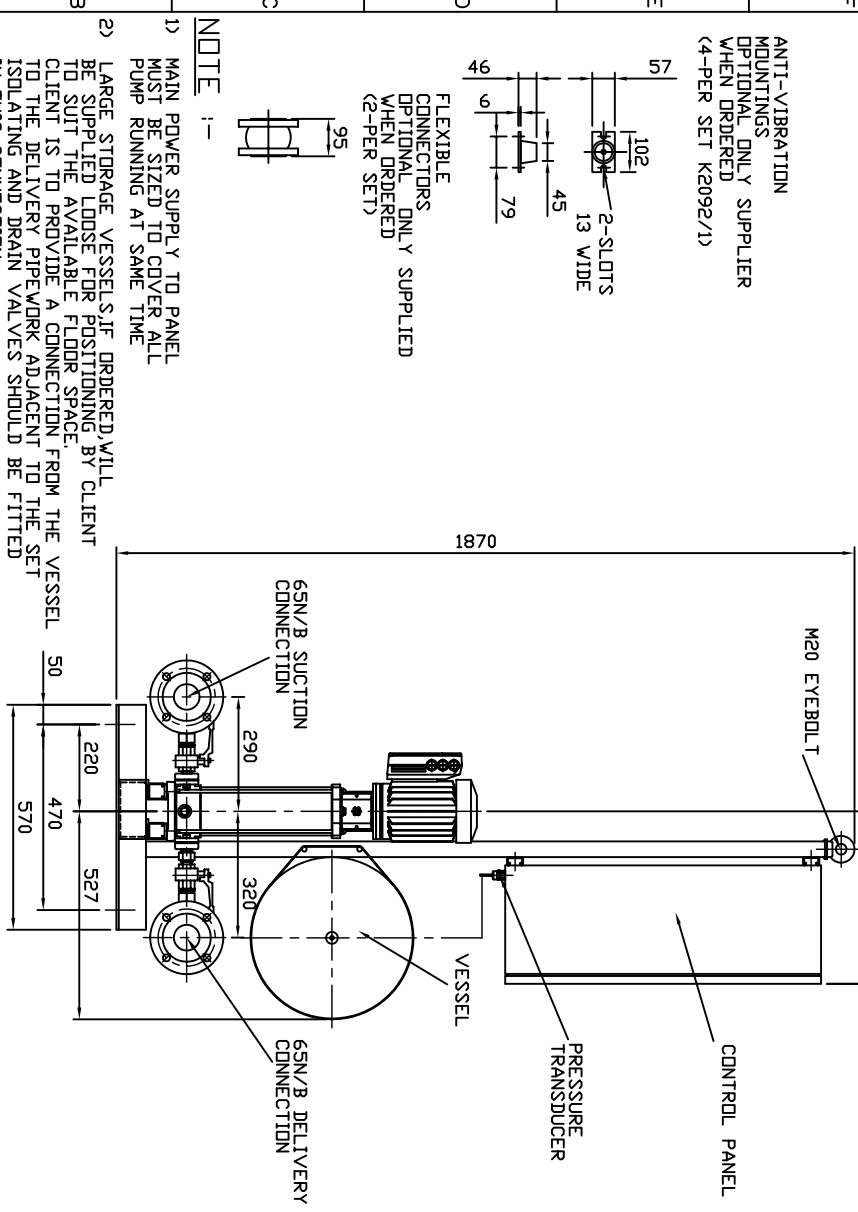
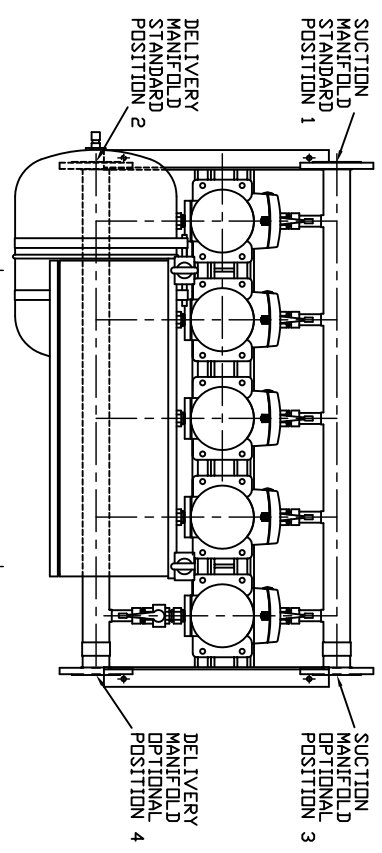
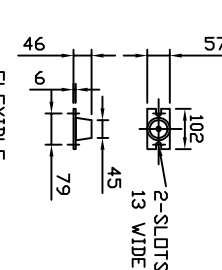


| PUMP SIZE | MOTOR KW | FLC AMPS 3x415V | PUMP WEIGHT KGS | SET WEIGHT KGS | VESSEL SIZE LITRES | WORKING PRESSURE MAX-BAR | TEST PRESSURE BAR |
|-----------|----------|-----------------|-----------------|----------------|--------------------|--------------------------|-------------------|
| 20210ST | 0.55 | 1.43 | 17.5 | 37.6 | 60 | 10 | 15.0 |
| 20310ST | 0.55 | 1.43 | 18.0 | 38.8 | 60 | 10 | 15.0 |
| 20410ST | 0.55 | 1.43 | 19.0 | 39.3 | 60 | 10 | 15.0 |
| 20510ST | 0.75 | 2.02 | 21.5 | 40.6 | 60 | 10 | 15.0 |
| 20610ST | 0.75 | 2.02 | 22.0 | 40.8 | 60 | 10 | 15.0 |
| 20711T | 1.10 | 2.61 | 23.0 | 41.3 | 60 | 10 | 15.0 |
| 20811T | 1.10 | 2.61 | 23.5 | 41.6 | 60 | 10 | 15.0 |
| 20911T | 1.10 | 2.61 | 24.0 | 41.8 | 60 | 10 | 15.0 |
| 211TST | 1.50 | 3.45 | 31.0 | 45.3 | 20 | 15 | 22.5 |
| 21211ST | 1.50 | 3.45 | 31.5 | 45.6 | 20 | 15 | 22.5 |

ALL FLANGES TO BS4504 16BAR



ANTI-VIBRATION MOUNTINGS OPTIONAL ONLY SUPPLIER WHEN ORDERED (4-PER SET K2092/1)



NOTE

- 1) MAIN POWER SUPPLY TO PANEL MUST BE SIZED TO COVER ALL PUMP RUNNING AT SAME TIME
- 2) LARGE STORAGE VESSELS, IF ORDERED, WILL BE SUPPLIED LOOSE FOR POSITIONING BY CLIENT TO SUIT THE AVAILABLE FLOOR SPACE. CLIENT IS TO PROVIDE A CONNECTION FROM THE VESSEL TO THE DELIVERY PIPEWORK ADJACENT TO THE SET ISOLATING AND DRAIN VALVES SHOULD BE FITTED IN THIS CONNECTION

LAST MODIFICATION DETAILS

DRAWING BORDER CHANGED

ALL DIMENSIONS IN mm
DRAWN TO BS308
WELDING SYMBOLS TO BS499
SURFACE FINISH SHOWN IN MICROMETERS
MACHINE WHERE SHOWN TO TOLERANCE ± 0.3MM UNLESS OTHERWISE STATED

| | | | |
|---------|-----------------|---------|---------|
| ISSUE 1 | DATE 15/02/2006 | DRN PJB | APP PJB |
|---------|-----------------|---------|---------|

JOB No. - PART No. - WEIGHT KG - FILE NAME -
 DESIGN No. - PATTERN No. - MATERIAL - MAT'L SPEC. -
 TITLE: GENERAL ARRANGEMENT HYDROPAK IVSLS SET 2-PUMP MODELS C/W VLT8000 AQUA CONTROL

DRG No. PX10464-1

DATE 19/08/2004 DRN BSD
 CHK EGU
 SCALE NTS SHEET 1 OF 1

ARMSTRONG HOLDEN BROOKE PULLEN
 VENLOCK WAY, MANCHESTER, M12 5JL
 TEL: +44 (0) 161 223 2223