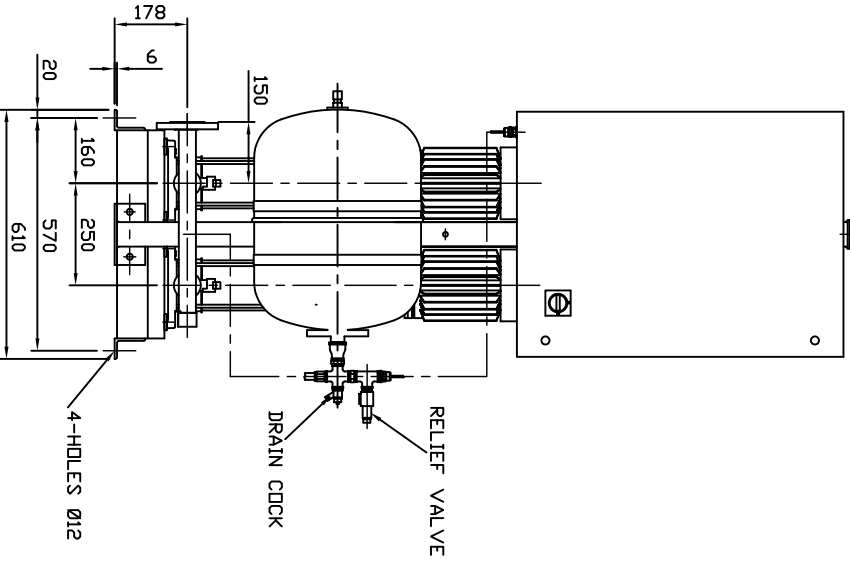
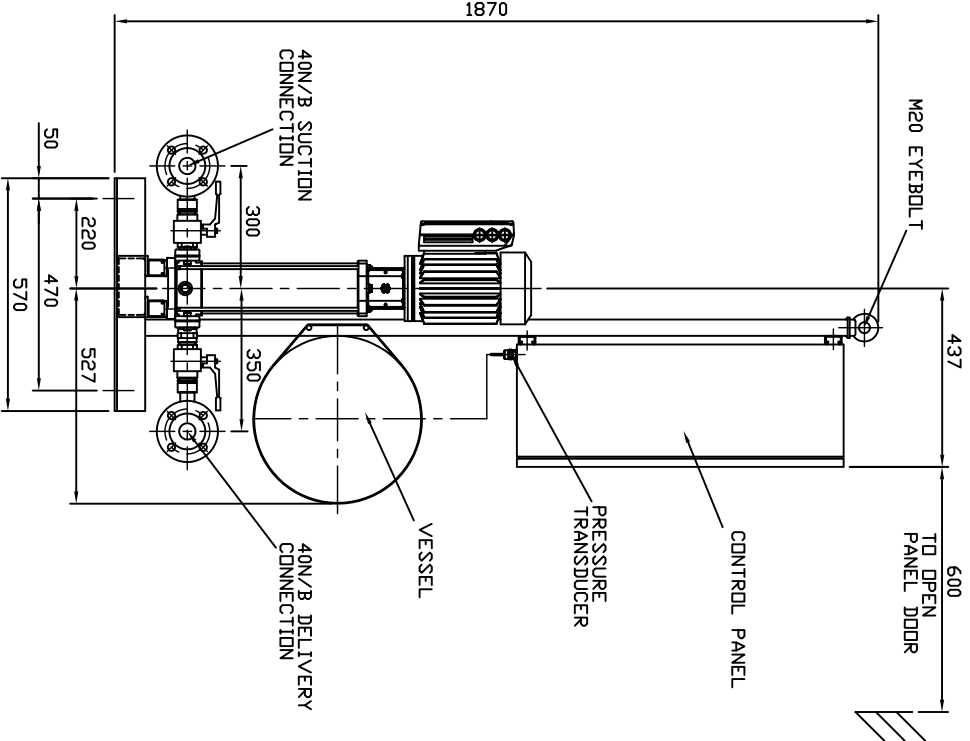
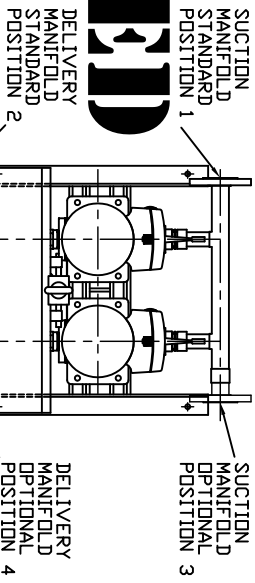


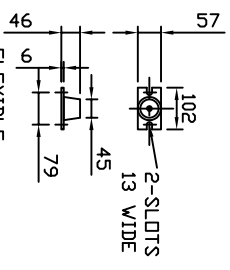
PUMP SIZE	MOTOR KW	FLC AMPS 3x415V	PUMP WEIGHT KGS	SET WEIGHT KGS	VESSEL SIZE LITRES	WORKING PRESSURE MAX-BAR	TEST PRESSURE BAR
402105T	0.55	1.43	17.5	185	60	10	15.0
403105T	0.55	1.43	60	187	60	10	15.0
404107T	0.75	2.02	21.0	182	60	10	15.0
405111T	1.10	2.61	22.0	194	60	10	15.0
406111T	1.10	2.61	22.5	195	60	10	15.0
407111T	1.10	2.61	23.0	196	60	10	15.0
408115T	1.50	3.45	29.5	209	60	10	15.0
409115T	1.50	3.45	30.0	210	60	10	15.0
411122T	2.20	5.03	32.0	214	20	15	22.5
413122T	2.20	5.03	33.0	216	20	15	22.5
414130T	3.00	6.22	39.0	228	20	15	22.5

UNCONTROLLED

ALL FLANGES TO BS4504 16BAR



ANTI-VIBRATION MOUNTINGS OPTIONAL, ONLY SUPPLIER WHEN ORDERED (4-PER SET K2092/1)



NOTE :-

- 1) MAIN POWER SUPPLY TO PANEL MUST BE SIZED TO COVER ALL PUMP RUNNING AT SAME TIME
- 2) LARGE STORAGE VESSELS, IF ORDERED, WILL BE SUPPLIED LOOSE FOR POSITIONING. BY CLIENT TO SUIT THE AVAILABLE FLOOR SPACE. CLIENT IS TO PROVIDE A CONNECTION FROM THE VESSEL TO THE DELIVERY PIPEWORK ADJACENT TO THE SET ISOLATING AND DRAIN VALVES SHOULD BE FITTED IN THIS CONNECTION

LAST MODIFICATION DETAILS

DRAWING BORDER CHANGED

ISSUE 1	DATE 15/02/2006	DRN PJB	APP PJB
CHK PJB			

ALL DIMENSIONS IN mm DRAWN TO BS308 WELDING SYMBOLS TO BS499 SURFACE FINISH SHOWN IN MICROMETERS MACHINE WHERE SHOWN TO TOLERANCE ± 0.3MM UNLESS OTHERWISE STATED

JOB No.	PART No.	WEIGHT KG	FILE NAME
-	-	-	PX10465-1
DESIGN No.	PATTERN No.	MATERIAL	MAT'L SPEC.
-	-	-	-

TITLE
GENERAL ARRANGEMENT
HYDROPAK IVSL2 SET
4-PUMP MODELS C/W
VLT8000 AQUA CONTROL

DRG No.	DATE 19/08/2004	DRN BSD
PX10465-1	CHK EGU	APP EGU
SCALE	NTS	SHEET 1 OF 1



VENLOCK WAY, MANCHESTER, M12 5JL
TEL: +44 (0) 161 223 2223