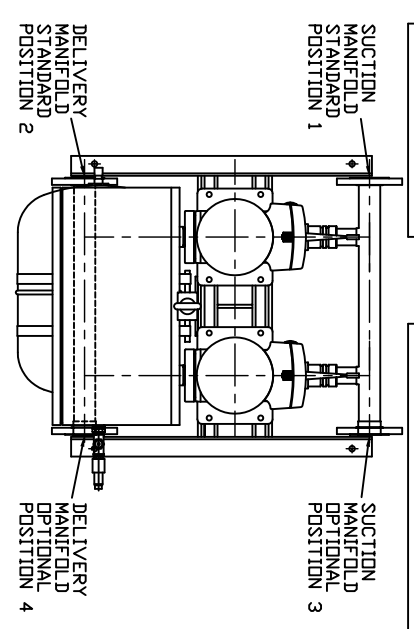
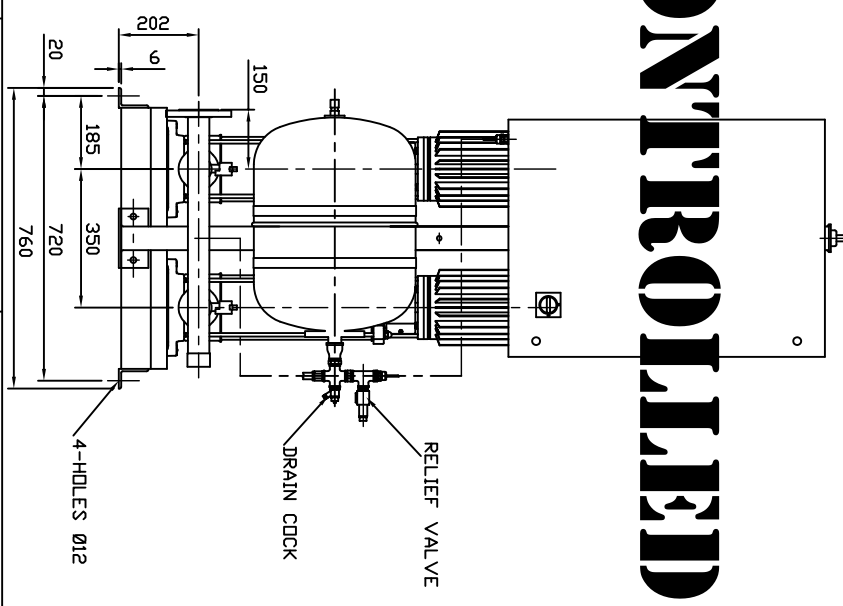
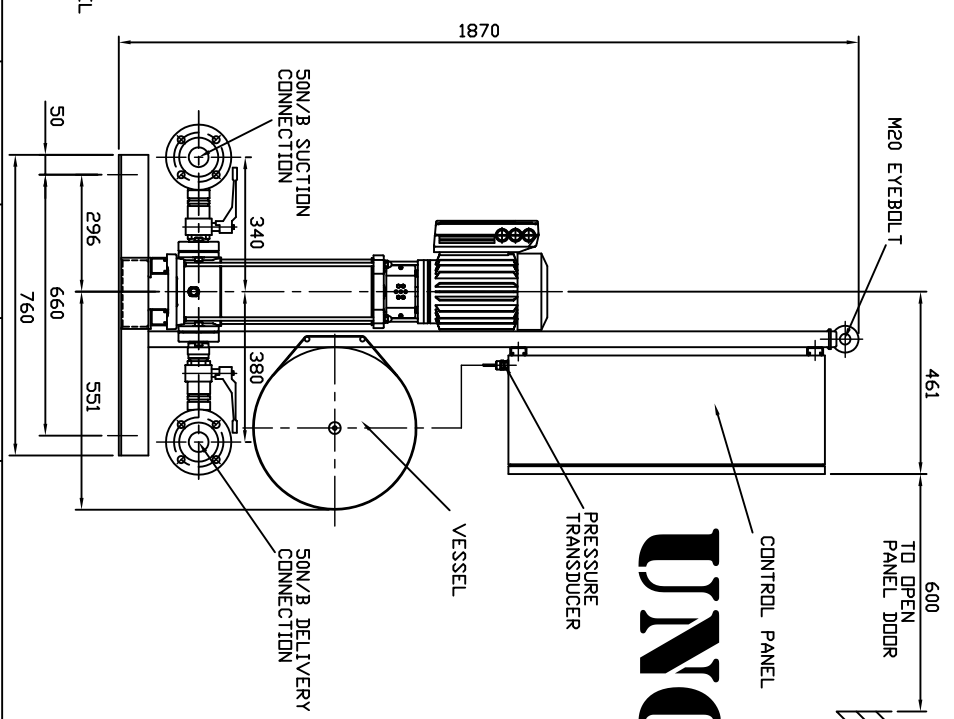


PUMP SIZE	MOTOR KW	FLC AMPS 3x415V	PUMP WEIGHT KGS	SET WEIGHT KGS	VESSEL SIZE LITRES	WORKING PRESSURE BAR	TEST PRESSURE BAR
802T11T	1.10	2.61	25.5	218	60	10	15.0
803T15T	1.50	3.45	32.0	231	60	10	15.0
804T22T	2.20	5.03	34.0	235	60	10	15.0
805T22T	2.20	5.03	35.0	237	60	10	15.0
806T30T	3.00	6.22	42.0	251	60	10	15.0
808T40T	4.00	8.14	58.5	284	20	15	22.5
809T40T	4.00	8.14	59.5	286	20	15	22.5

ALL FLANGES TO BS4504 16BAR



UNCONTROLLED



ANTI-VIBRATION MOUNTINGS OPTIONAL ONLY SUPPLIER WHEN ORDERED (4-PER SET K2092/1)

FLEXIBLE CONNECTORS OPTIONAL ONLY SUPPLIED WHEN ORDERED (2-PER SET)

NOTE :-

- 1) MAIN POWER SUPPLY TO PANEL MUST BE SIZED TO COVER ALL PUMP RUNNING AT SAME TIME
- 2) LARGE STORAGE VESSELS, IF ORDERED, WILL BE SUPPLIED LOOSE FOR POSITIONING BY CLIENT TO SUIT THE AVAILABLE FLOOR SPACE. CLIENT IS TO PROVIDE A CONNECTION FROM THE VESSEL TO THE DELIVERY PIPEWORK ADJACENT TO THE SET ISOLATING AND DRAIN VALVES SHOULD BE FITTED IN THIS CONNECTION

LAST MODIFICATION DETAILS
DRAWING BORDER CHANGED

JOB No. -
PART No. -
WEIGHT KG -
FILE NAME px10469-1

TITLE
GENERAL ARRANGEMENT
HYDROPAK IVSL2 SET
8-PUMP MODELS C/W
VLT8000 AQUA CONTROL

DRG No. PX10469-1

ARMSTRONG HOLDEN BROOKE PULLEN

ISSUE 1	DATE 15/02/2006	DRN PJB	APP PJB
---------	-----------------	---------	---------

ALL DIMENSIONS IN mm
DRAWN TO BS308
WELDING SYMBOLS TO BS499
SURFACE FINISH SHOWN IN MICROMETERS
MACHINE WHERE SHOWN TO TOLERANCE ± 0.3MM UNLESS OTHERWISE STATED

THIS DRAWING IS THE PRIVATE AND CONFIDENTIAL PROPERTY OF ARMSTRONG HOLDEN BROOKE PULLEN LTD. ALL COPYRIGHT, MANUFACTURING AND SALES RIGHTS RESERVED.

DATE 19/08/2004 DRN BSD
CHK EGU
SCALE NTS

VENLOCK WAY, MANCHESTER, M12 5JL
TEL: +44 (0) 161 223 2223