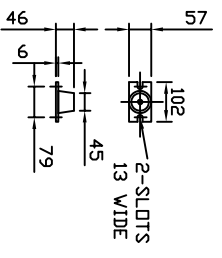


PUMP SIZE	MOTOR KW	FLC AMPS 3~415V	PUMP WEIGHT KGS	SET WEIGHT KGS	VESSEL SIZE LITRES	WORKING PRESSURE BAR	TEST PRESSURE BAR
802T11T	1.10	2.61	2.55	311	60	10	15.0
803T15T	1.50	3.45	3.20	330	60	10	15.0
804T21T	2.20	5.03	34.0	336	60	10	15.0
805T22T	2.20	5.03	35.0	340	60	10	15.0
806T30T	3.00	6.22	42.0	360	60	10	15.0
808T40T	4.00	8.14	58.5	410	20	15	22.5
809T40T	4.00	8.14	59.5	413	20	15	22.5

ANTI-VIBRATION MOUNTINGS OPTIONAL, ONLY SUPPLIER WHEN ORDERED (4-PER SET K2092/1)



FLEXIBLE CONNECTORS OPTIONAL, ONLY SUPPLIED WHEN ORDERED (2-PER SET)

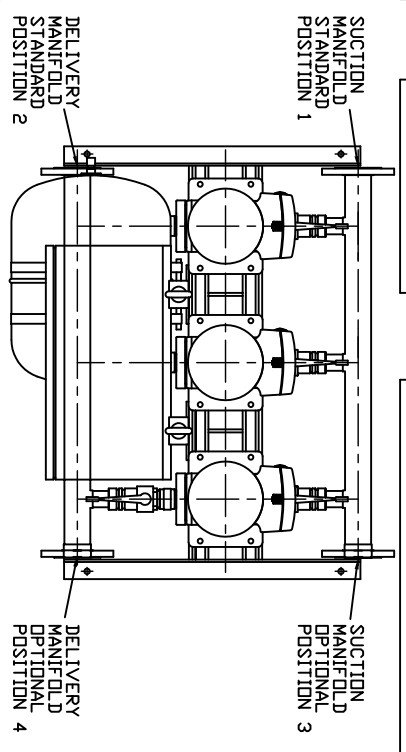
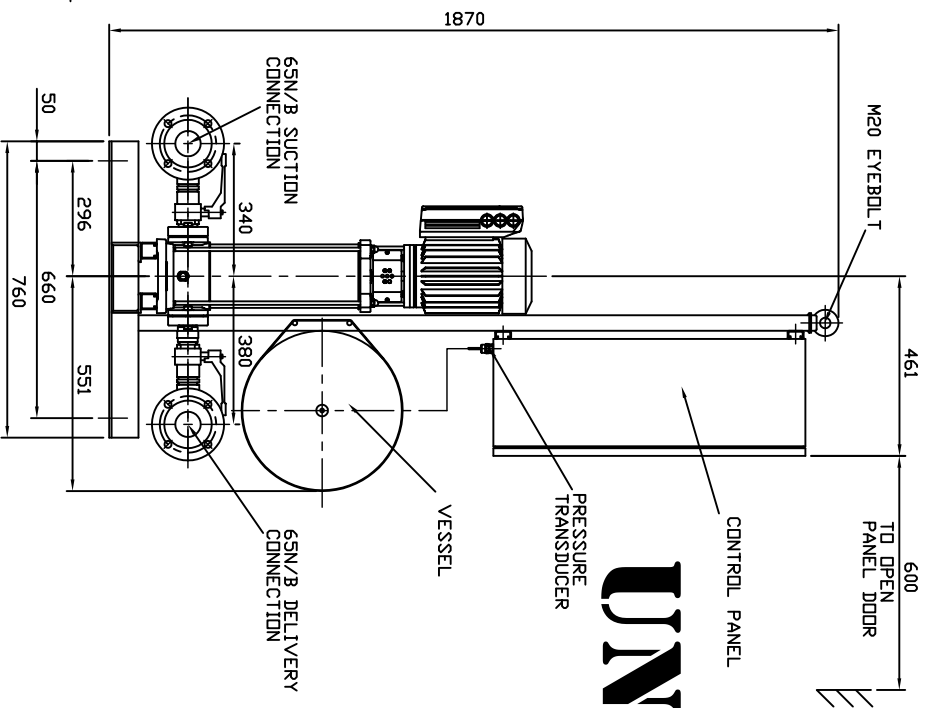
NOTE :-

- 1) MAIN POWER SUPPLY TO PANEL MUST BE SIZED TO COVER ALL PUMP RUNNING AT SAME TIME
- 2) LARGE STORAGE VESSELS, IF ORDERED, WILL BE SUPPLIED LOOSE FOR POSITIONING BY CLIENT TO SUIT THE AVAILABLE FLOOR SPACE. CLIENT IS TO PROVIDE A CONNECTION FROM THE VESSEL TO THE DELIVERY PIPEWORK ADJACENT TO THE SET ISOLATING AND DRAIN VALVES SHOULD BE FITTED IN THIS CONNECTION

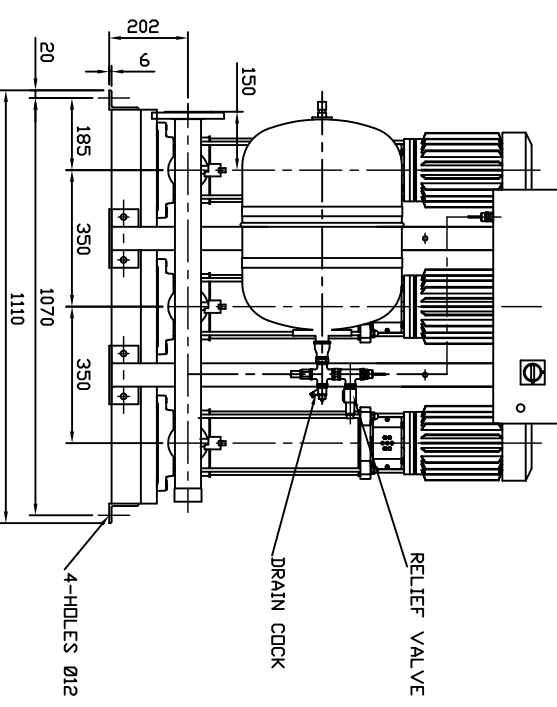
LAST MODIFICATION DETAILS  
DRAWING BORDER CHANGED

ISSUE 1	DATE 15/02/2006	DRN PJB	APP PJB
---------	-----------------	---------	---------

ALL FLANGES TO BS4504 16BAR



# UNCONTROLLED



JOB No.	PART No.	WEIGHT KG	FILE NAME
-	-	-	Px10470-1
DESIGN No.	PATTERN No.	MATERIAL	MAT'L SPEC.
-	-	-	-

TITLE  
GENERAL ARRANGEMENT  
HYDROPAK IVSL3 SET  
8-PUMP MODELS C/W  
VLT8000 AQUA CONTROL

DRG No.	DATE 19/08/2004	DRN BSD
CHK EGU	APP EGU	SHEET 1 OF 1



VENLOCK WAY, MANCHESTER, M12 5JL  
TEL: +44 (0) 161 223 2223