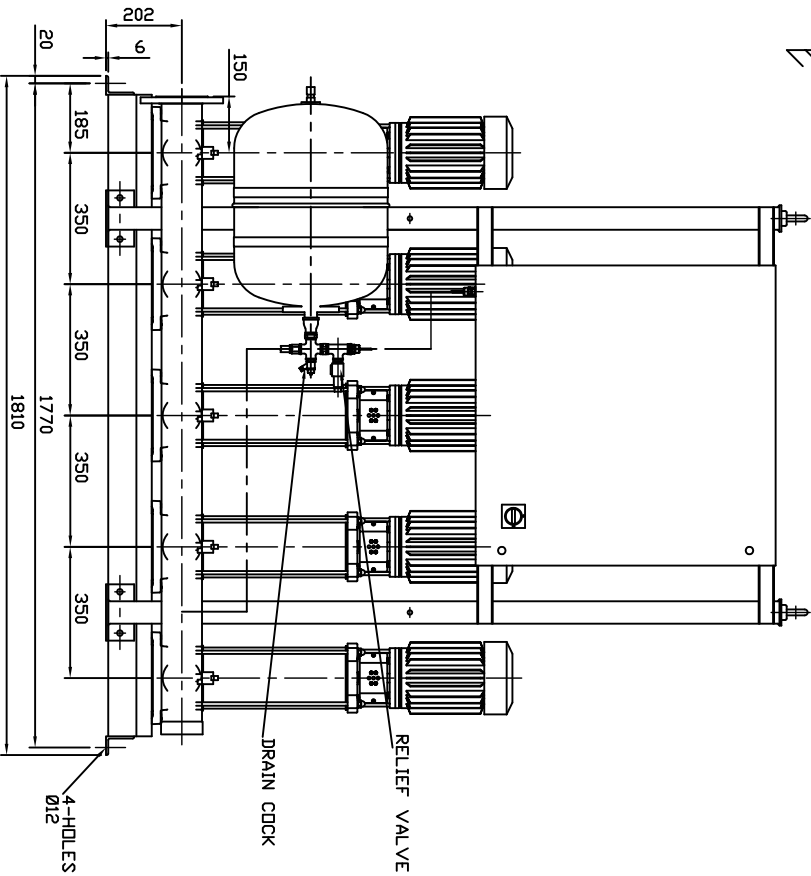
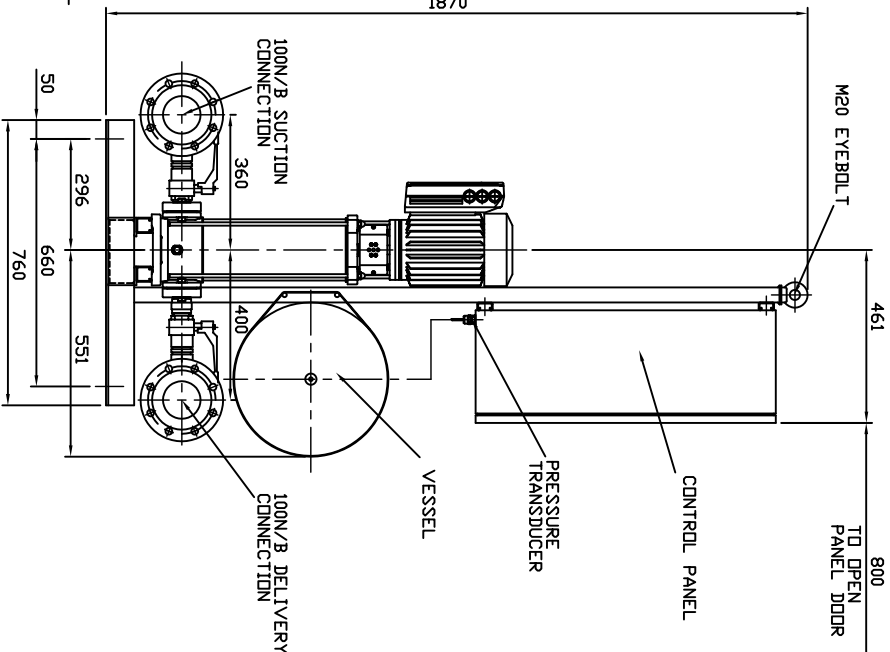
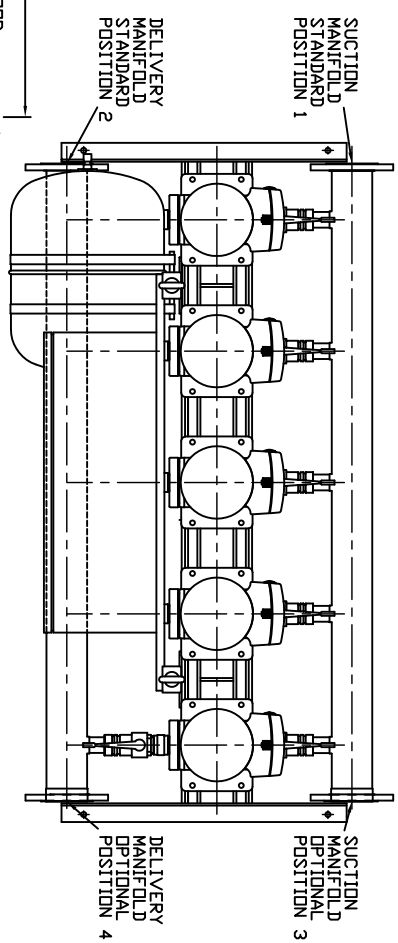


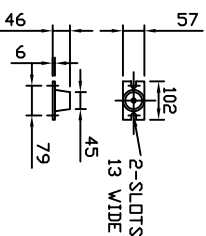
PUMP SIZE	MOTOR KW	FLC AMPS 3x415V	PUMP WEIGHT KGS	SET WEIGHT KGS	VESSEL SIZE LITRES	WORKING PRESSURE MAX-BAR	TEST PRESSURE BAR
802T11T	1.10	2.61	25.5	476	60	10	15.0
803T15T	1.50	3.45	32.0	508	60	10	15.0
804T22T	2.20	5.03	34.0	518	60	10	15.0
805T32T	2.20	5.03	35.0	523	60	10	15.0
806T30T	3.00	6.22	42.0	558	60	10	15.0
808T40T	4.00	8.14	58.5	641	20	15	22.5
809T40T	4.00	8.14	59.5	646	20	15	22.5

ALL FLANGES TO BS4504 16BAR

# UNCONTROLLED



ANTI-VIBRATION MOUNTINGS OPTIONAL, ONLY SUPPLIER WHEN ORDERED (4-PER SET K2092/1)



FLEXIBLE CONNECTORS OPTIONAL, ONLY SUPPLIED WHEN ORDERED (2-PER SET)

**NOTE :-**

- 1) MAIN POWER SUPPLY TO PANEL MUST BE SIZED TO COVER ALL PUMP RUNNING AT SAME TIME
- 2) LARGE STORAGE VESSELS, IF ORDERED, WILL BE SUPPLIED LOOSE FOR POSITIONING. BY CLIENT TO SUIT THE AVAILABLE FLOOR SPACE. CLIENT IS TO PROVIDE A CONNECTION FROM THE VESSEL TO THE DELIVERY PIPEWORK ADJACENT TO THE SET ISOLATING AND DRAIN VALVES SHOULD BE FITTED IN THIS CONNECTION

LAST MODIFICATION DETAILS		JOB No. -		PART No. -		WEIGHT KG -		FILE NAME -	
DRAWING BORDER CHANGED		DESIGN No. -		PATTERN No. -		MATERIAL -		MAT'L SPEC. -	
ISSUE 1		DATE 15/02/2006		DRN PJB		APP PJB		TITLE	
CHK PJB		APP PJB		UNLESS OTHERWISE STATED		THIS DRAWING IS THE PRIVATE AND CONFIDENTIAL PROPERTY OF ARMSTRONG HOLDEN BROOKE PULLEN LTD. ALL COPYRIGHT, MANUFACTURING AND SALES RIGHTS RESERVED.		GENERAL ARRANGEMENT	
ALL DIMENSIONS IN mm		DRAWN TO BS308		WELDING SYMBOLS TO BS499		SURFACE FINISH SHOWN IN MICROMETERS		MACHINE WHERE SHOWN TO TOLERANCE ± 0.3MM UNLESS OTHERWISE STATED	
DRG No. PX10472-1		DATE 19/08/2004		DRN BSD		CHK EGU		APP EGU	
SCALE 1 OF 1		SHEET 1 OF 1		VENLOCK WAY, MANCHESTER, M12 5JL		TEL: +44 (0) 161 223 2223			