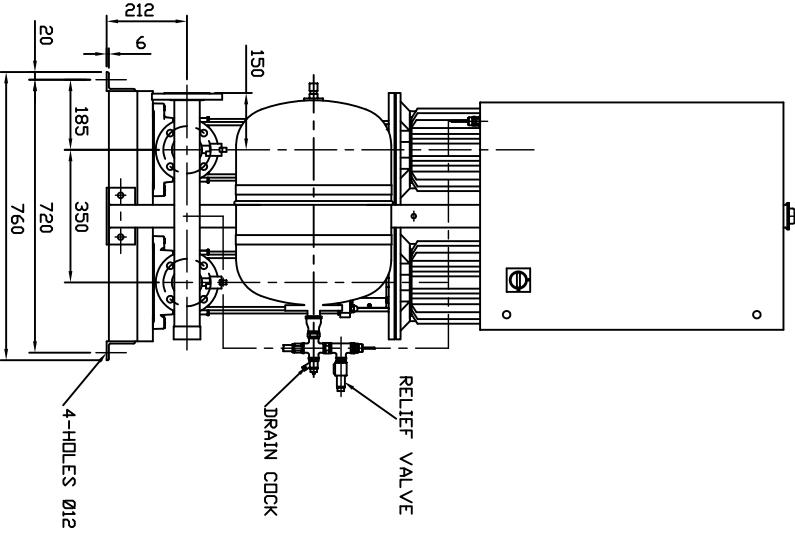
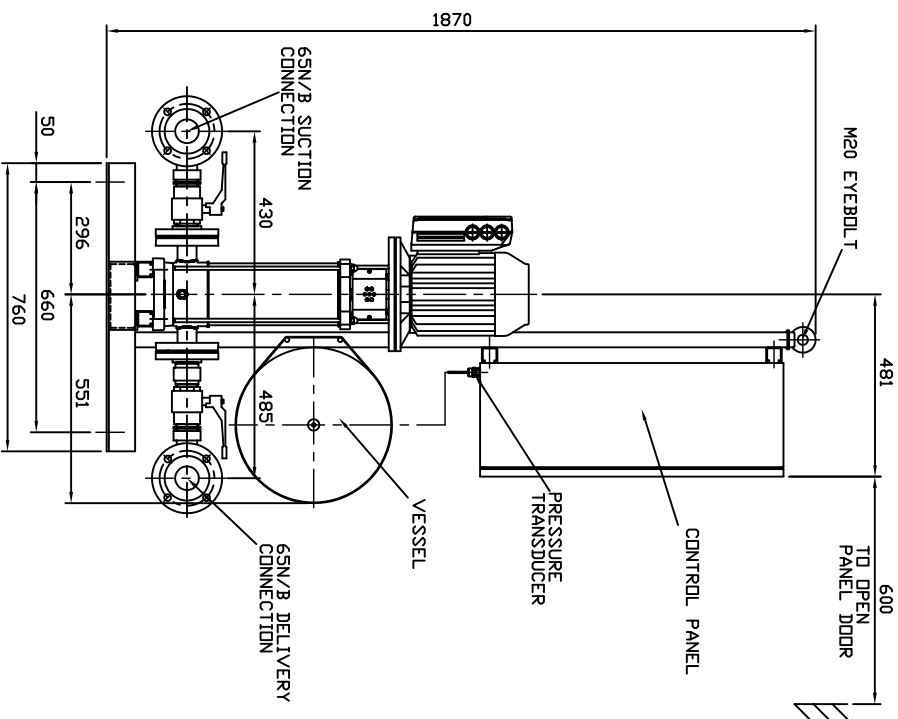
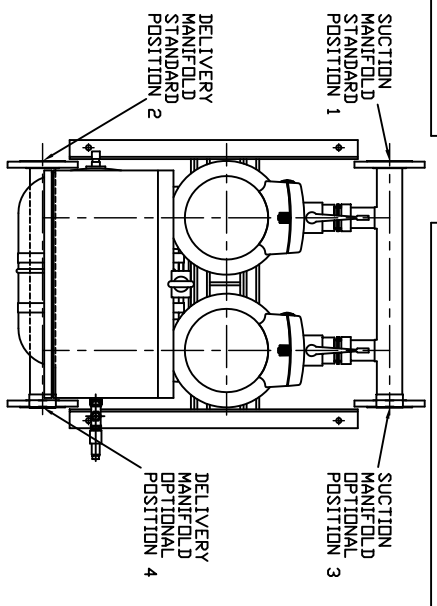


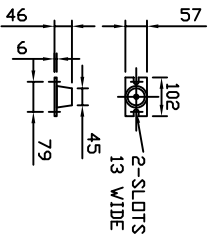
PUMP SIZE	MOTOR KW	FLC AMPS 3x415V	PUMP WEIGHT KGS	SET WEIGHT KGS	VESSEL SIZE LITRES	WORKING PRESSURE MAX-BAR	TEST PRESSURE BAR
160PE22T	2.20	5.03	32.0	255	60	10	15.0
160PE30T	3.00	6.22	38.0	267	60	10	15.0
1604F40T	4.00	8.14	53.5	302	60	10	15.0
1605F55T	5.50	11.0	68.0	327	60	10	15.0
1606F55T	5.50	11.0	69.0	329	20	15	22.5
1607F75T	7.50	14.6	74.0	369	20	15	22.5
1608F75T	7.50	14.6	75.0	371	20	15	22.5

ALL FLANGES TO BS4504 16BAR

UNCONTROLLED



ANTI-VIBRATION MOUNTINGS OPTIONAL ONLY SUPPLIER WHEN ORDERED (4-PER SET K2092/1)



FLEXIBLE CONNECTORS OPTIONAL ONLY SUPPLIED WHEN ORDERED (2-PER SET)

NOTE :-

- 1) MAIN POWER SUPPLY TO PANEL MUST BE SIZED TO COVER ALL PUMP RUNNING AT SAME TIME
- 2) LARGE STORAGE VESSELS, IF ORDERED, WILL BE SUPPLIED LOOSE FOR POSITIONING BY CLIENT TO SUIT THE AVAILABLE FLOOR SPACE. CLIENT IS TO PROVIDE A CONNECTION FROM THE VESSEL TO THE DELIVERY PIPEWORK ADJACENT TO THE SET ISOLATING AND DRAIN VALVES SHOULD BE FITTED IN THIS CONNECTION

LAST MODIFICATION DETAILS

DRAWING BORDER CHANGED

ISSUE	DATE	BY	DRN	PJB
1	2006/02/15	CHK	APP	PJB

ALL DIMENSIONS IN mm DRAWN TO BS308 WELDING SYMBOLS TO BS499 SURFACE FINISH SHOWN IN MICRO METERS MACHINE WHERE SHOWN UNLESS OTHERWISE STATED

JOB No.	PART No.	WEIGHT KG	FILE NAME
-	-	-	Px10473-1

DESIGN No.	PATTERN No.	MATERIAL	MAT'L SPEC.
-	-	-	-

TITLE
GENERAL ARRANGEMENT
HYDROPAK IVSL2 SET
16-PUMP MODELS C/W
VLT8000 AQUA CONTROL

DRG No.	DATE	BY	DRN	BSD
PX10473-1	2004/08/19	CHK	APP	EGJ

ARMSTRONG HOLDEN BROOKE PULLEN
VENLOCK WAY, MANCHESTER, M12 5JL
TEL: +44 (0) 161 223 2223