

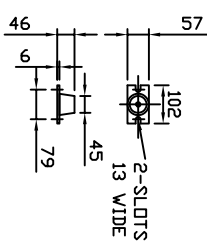
PUMP SIZE	MOTOR KW	FLC AMPS 3x415V	PUMP WEIGHT KGS	SET WEIGHT KGS	VESSEL SIZE LITRES	WORKING PRESSURE BAR	TEST PRESSURE BAR
160PE22T	2.20	5.03	32.0	36.5	60	10	15.0
160PF30T	3.00	6.22	38.0	38.3	60	10	15.0
1604F40T	4.00	8.14	40.0	35.5	60	10	15.0
1605F55T	5.50	11.0	68.0	47.3	60	10	15.0
1606F55T	5.50	11.0	69.0	47.6	20	15	22.5
1607F75T	7.50	14.6	74.0	53.0	20	15	22.5
1608F75T	7.50	14.6	75.0	53.3	20	15	22.5

UNCONTROLLED

ALL FLANGES TO BS4504 16BAR

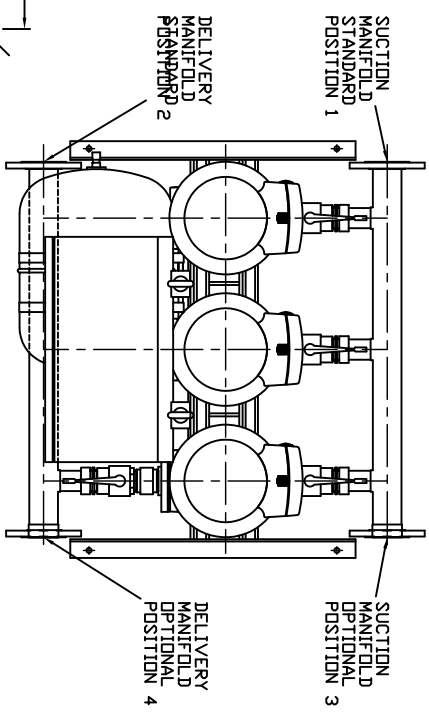
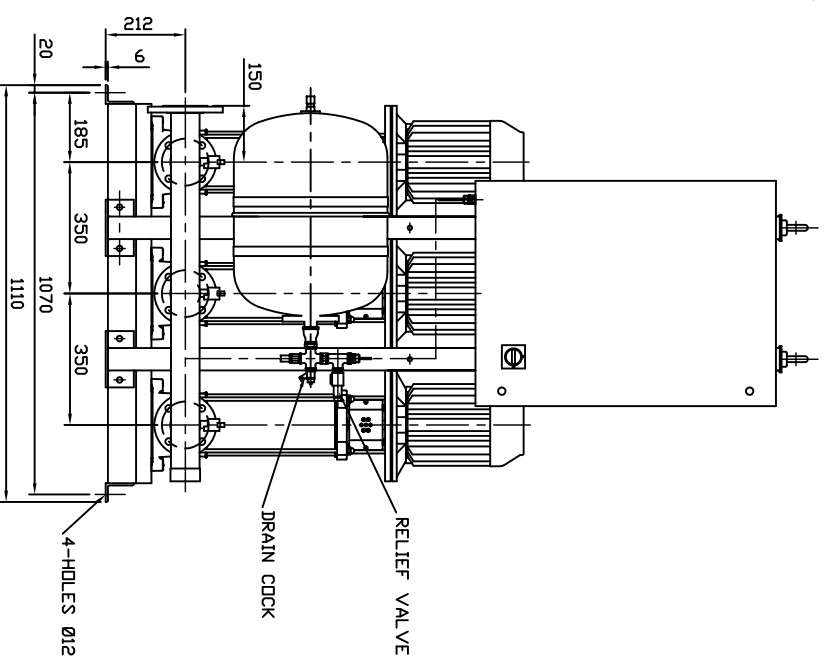
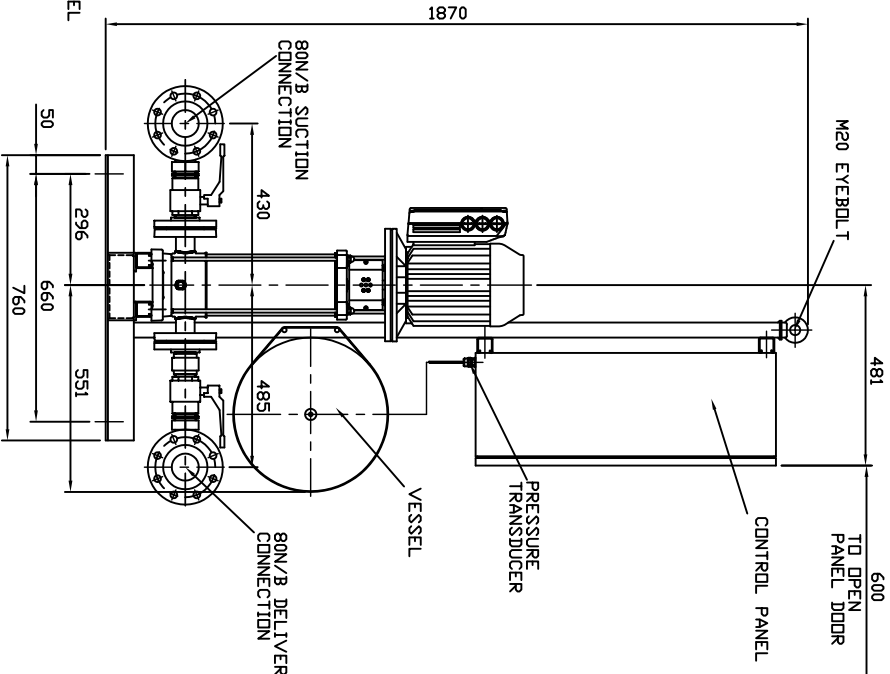
ANTI-VIBRATION MOUNTINGS

OPTIONAL ONLY SUPPLIER WHEN ORDERED (4-PER SET K2092/1)



NOTE :-

- 1) MAIN POWER SUPPLY TO PANEL MUST BE SIZED TO COVER ALL PUMP RUNNING AT SAME TIME
- 2) LARGE STORAGE VESSELS, IF ORDERED, WILL BE SUPPLIED LOOSE FOR POSITIONING BY CLIENT TO SUIT THE AVAILABLE FLOOR SPACE. CLIENT IS TO PROVIDE A CONNECTION FROM THE VESSEL TO THE DELIVERY PIPEWORK. ADJACENT TO THE SET ISOLATING AND DRAIN VALVES SHOULD BE FITTED IN THIS CONNECTION



LAST MODIFICATION DETAILS		JOB No.		PART No.		WEIGHT KG		FILE NAME		TITLE	
DRAWING BORDER CHANGED		-		-		-		px10474-1		GENERAL ARRANGEMENT	
ALL DIMENSIONS IN mm DRAWN TO BS308 WELDING SYMBOLS TO BS499 SURFACE FINISH SHOWN IN MICROMETERS MACHINE WHERE SHOWN TO TOLERANCE ± 0.3MM UNLESS OTHERWISE STATED		DESIGN No.		PATTERN No.		MATERIAL		MAT'L SPEC.		HYDROPAK IVSL3 SET 16-PUMP MODELS C/W VLT8000 AQUA CONTROL	

DATE/19/08/2004		DATE/19/08/2004		DATE/19/08/2004		DATE/19/08/2004		DATE/19/08/2004		DATE/19/08/2004	
ISSUE	CHK PJB	APP PJB	DRN BSD	APP EGU	APP EGU	APP EGU	APP EGU	APP EGU	APP EGU	APP EGU	APP EGU
SCALE		SHEET		SHEET		SHEET		SHEET		SHEET	
1		1 OF 1		1 OF 1		1 OF 1		1 OF 1		1 OF 1	



VENLOCK WAY, MANCHESTER, M12 5JL
TEL: +44 (0) 161 223 2223