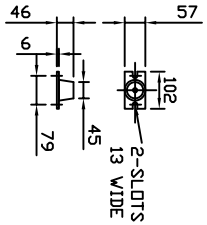


PUMP SIZE	MOTOR KW	FLC AMPS 3x415V	PUMP WEIGHT KGS	SET WEIGHT KGS	VESSEL SIZE LITRES	WORKING PRESSURE BAR	TEST PRESSURE BAR
1602F22T	2.20	5.03	32.0	592	60	10	15.0
1603F30T	3.00	6.22	38.0	622	60	10	15.0
1604F40T	4.00	8.14	53.5	710	60	10	15.0
1605F51T	5.50	11.0	68.0	772	60	10	15.0
1606F55T	5.50	11.0	69.0	777	20	15	22.5
1607F75T	7.50	14.6	74.0	846	20	15	22.5
1608F75T	7.50	14.6	75.0	851	20	15	22.5

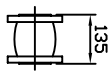
ALL FLANGES TO BS4504 16BAR

UNCONTROLLED

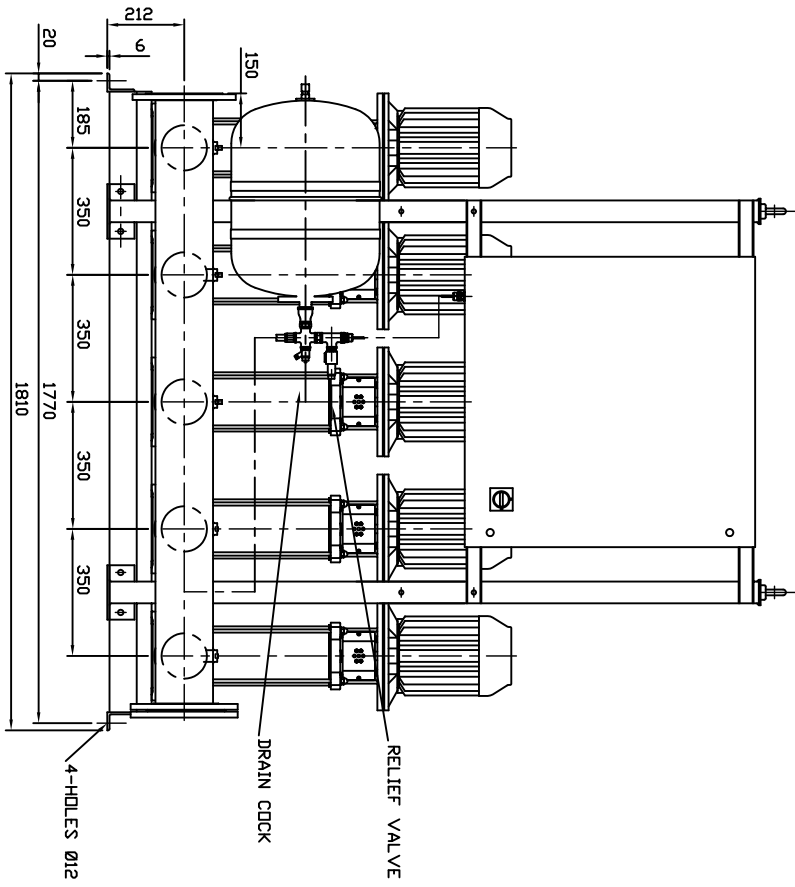
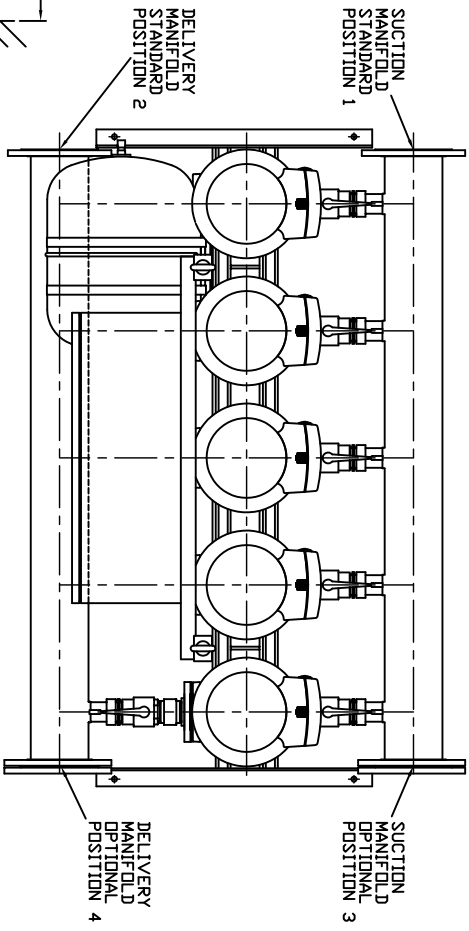
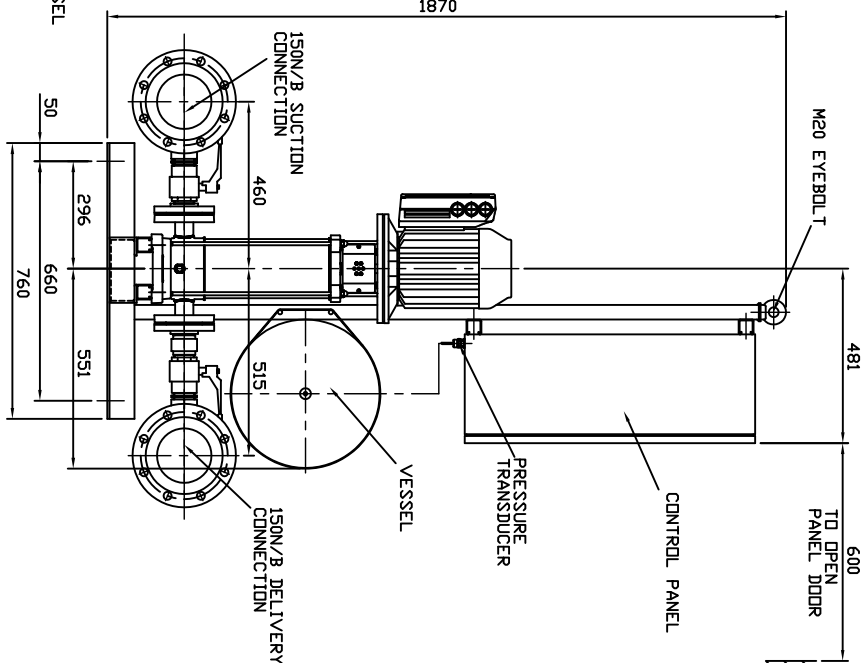
ANTI-VIBRATION MOUNTINGS OPTIONAL ONLY SUPPLIER WHEN ORDERED (4-PER SET K2092/1)



FLEXIBLE CONNECTORS OPTIONAL ONLY SUPPLIED WHEN ORDERED (2-PER SET)



- NOTE :-
- 1) MAIN POWER SUPPLY TO PANEL MUST BE SIZED TO COVER ALL PUMP RUNNING AT SAME TIME
 - 2) LARGE STORAGE VESSEL SIF ORDERED WILL BE SUPPLIED LOOSE FOR POSITIONING BY CLIENT TO SUIT THE AVAILABLE FLOOR SPACE CLIENT IS TO PROVIDE A CONNECTION FROM THE VESSEL TO THE DELIVERY PIPEWORK ADJACENT TO THE SET ISOLATING AND DRAIN VALVES SHOULD BE FITTED IN THIS CONNECTION



LAST MODIFICATION DETAILS

JOB No. - PART No. - WEIGHT KG - FILE NAME -

TITLE: GENERAL ARRANGEMENT HYDROPAK IVSLS SET 16-PUMP MODELS C/W VLT8000 AQUA CONTROL

DRG No. PX10476-1



DRAWING BORDER CHANGED

ALL DIMENSIONS IN mm DRAWN TO BS308 WELDING SYMBOLS TO BS499 SURFACE FINISH SHOWN IN MICROMETERS MACHINE WHERE SHOWN TO TOLERANCE ± 0.3MM UNLESS OTHERWISE STATED

DESIGN No. - PATTERN No. - MATERIAL - MAT'L SPEC. -

THIS DRAWING IS THE PRIVATE AND CONFIDENTIAL PROPERTY OF ARMSTRONG HOLDEN BROOKE PULLEN LTD. ALL COPYRIGHT, MANUFACTURING AND SALES RIGHTS RESERVED.

DATE: 19/08/2004 DRN: BSD
CHK: EGU APP: EGU
SCALE: NTS SHEET: 1 OF 1

VENLOCK WAY, MANCHESTER, M12 5JL
TEL: +44 (0) 161 223 2223