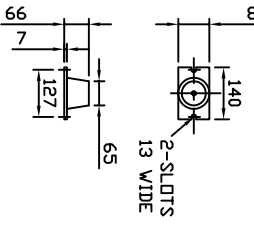


PUMP SIZE	MOTOR KW	FLC AMPS 3~415V	PUMP WEIGHT KGS	SET WEIGHT KGS	VESSEL SIZE LITRES	WORKING PRESSURE BAR	TEST PRESSURE BAR
3301/1E/2T	2.20	5.03	65	411	60	10	15
3301/30T	3.00	6.01	70	421	60	10	15
3302/2F/40T	4.00	8.02	78	437	60	10	15
3302/1F/40T	4.00	8.02	78	437	60	10	15
3302F/55T	5.50	10.0	96	473	60	10	15
3303/2E/55T	5.50	10.0	100	481	60	10	15
3303/1F/75T	7.50	13.4	106	493	60	10	15
3303/2F/75T	7.50	13.4	106	493	60	10	15
3304/2E/75T	7.50	13.4	110	501	60	10	15

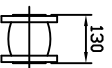
ALL FLANGES TO BS4504 16BAR

UNCONTROLLED

ANTI-VIBRATION MOUNTINGS OPTIONAL ONLY SUPPLIER WHEN ORDERED
(4-PER SET K2092/10)

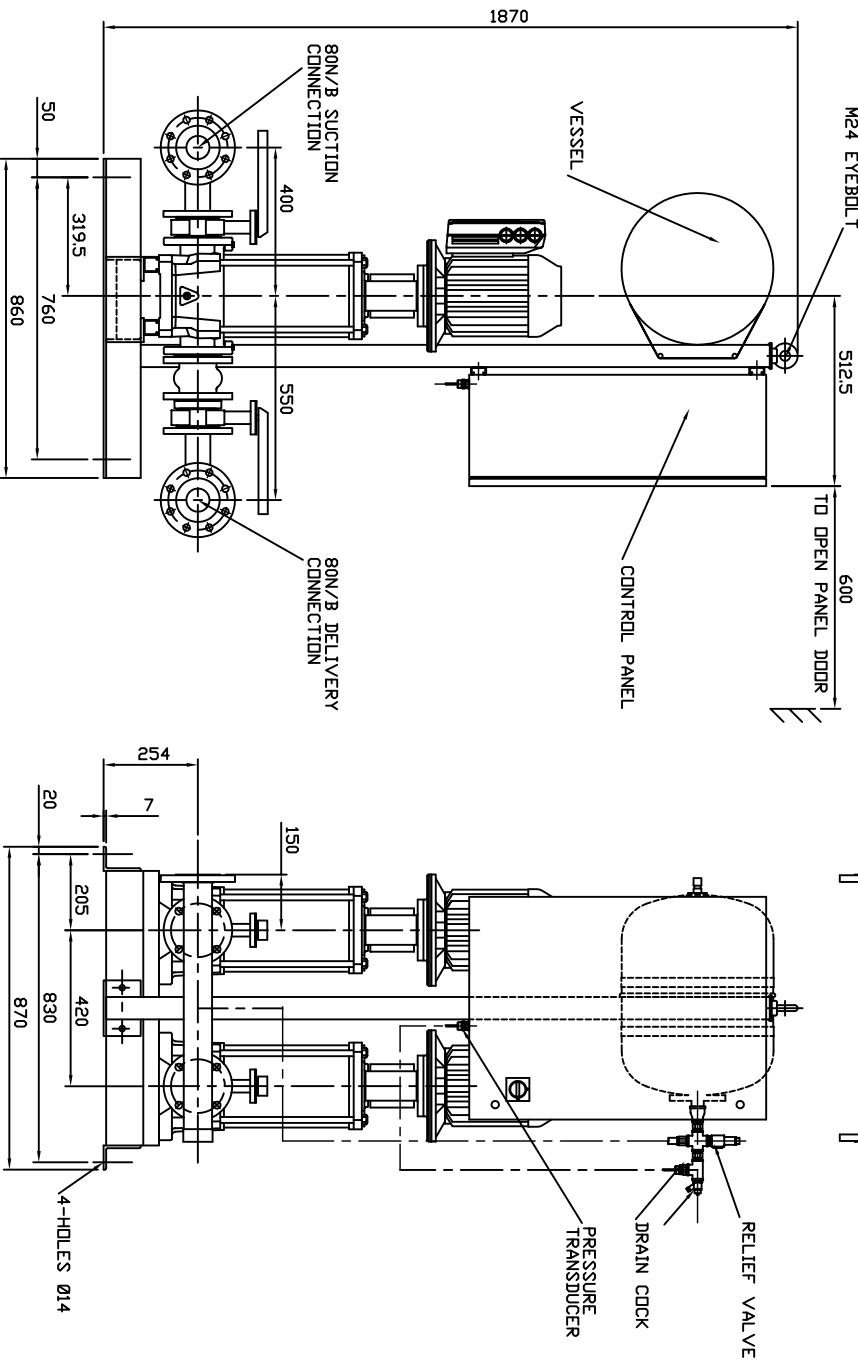
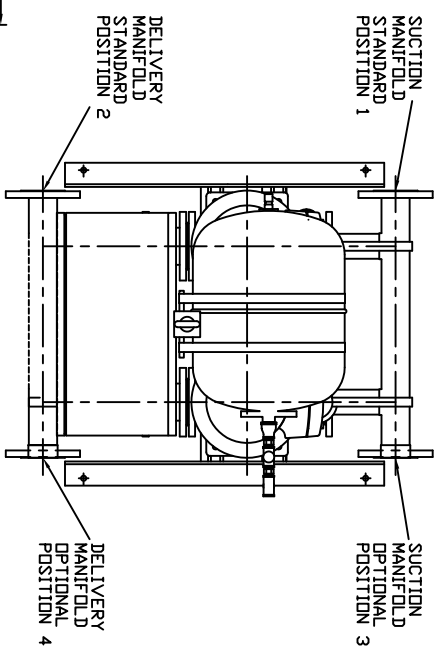


FLEXIBLE CONNECTORS OPTIONAL ONLY SUPPLIED WHEN ORDERED (2-PER SET)



NOTE :-

- 1) MAIN POWER SUPPLY TO PANEL MUST BE SIZED TO COVER ALL PUMP RUNNING AT SAME TIME
- 2) LARGE STORAGE VESSELS IF ORDERED, WILL BE SUPPLIED LOOSE FOR POSITIONING BY CLIENT TO SUIT THE AVAILABLE FLOOR SPACE. CLIENT IS TO PROVIDE A CONNECTION FROM THE VESSEL TO THE DELIVERY PIPEWORK ADJACENT TO THE SET ISOLATING AND DRAIN VALVES SHOULD BE FITTED IN THIS CONNECTION



LAST MODIFICATION DETAILS		JOB No.	PART No.	WEIGHT KG	FILE NAME	TITLE	DRG No.
DRAWING BORDER CHANGED		-	-	-	Px10477-1	GENERAL ARRANGEMENT HYDROPAK IVSL2 SET 33-PUMP MODELS C/W VLT8000 AQUA CONTROL	PX10477-1

ISSUE	DATE	BY	APP	CHK	SCALE	SHEET	OF
1	02/2006	DRN	PJB	PJB	NTS	1	OF 1

THIS DRAWING IS THE PRIVATE AND CONFIDENTIAL PROPERTY OF ARMSTRONG HOLDEN BROOKE PULLEN LTD. ALL COPYRIGHT, MANUFACTURING AND SALES RIGHTS RESERVED.

VENLOCK WAY, MANCHESTER, M12 5JL
TEL: +44 (0) 161 223 2223

