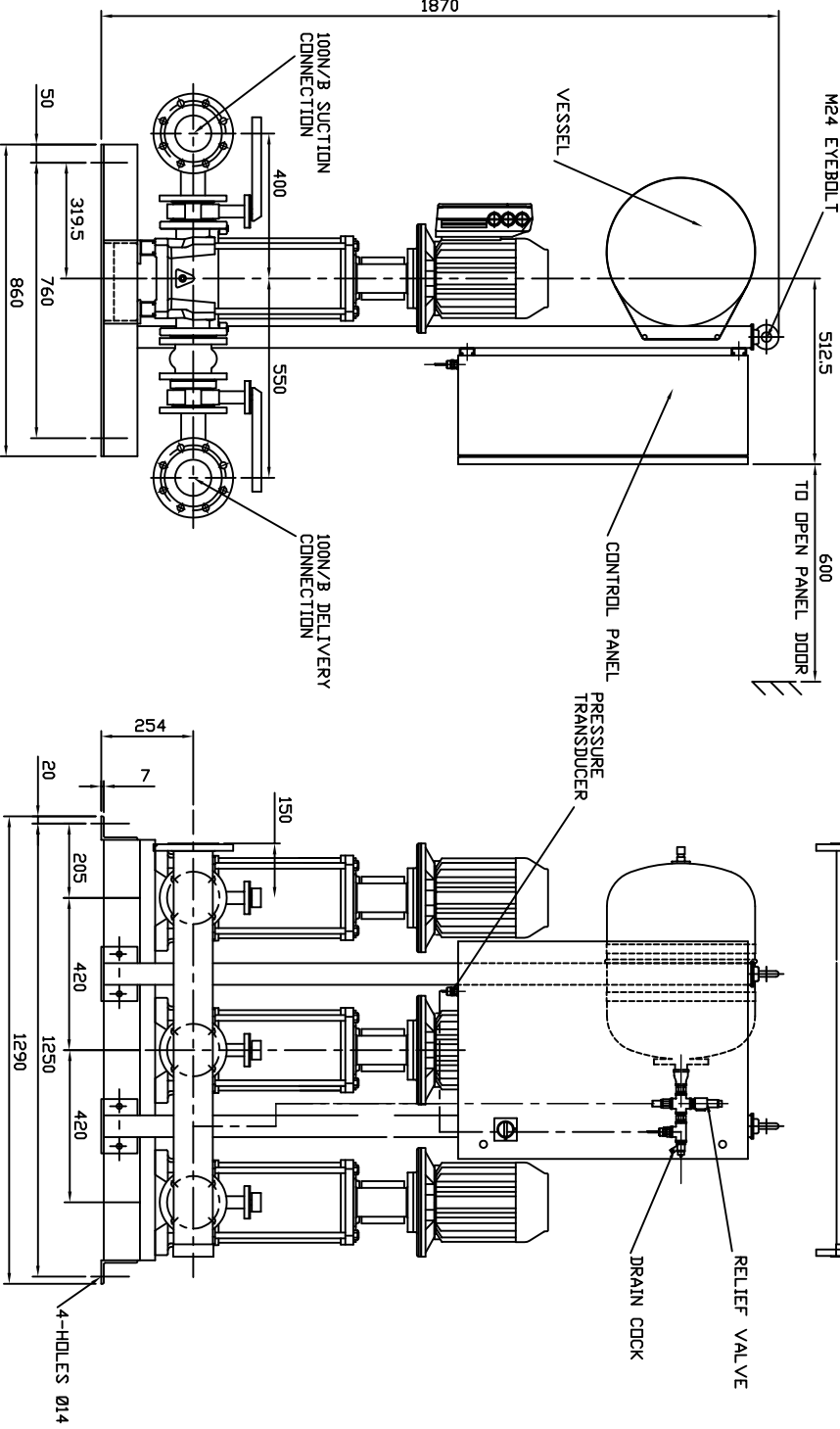
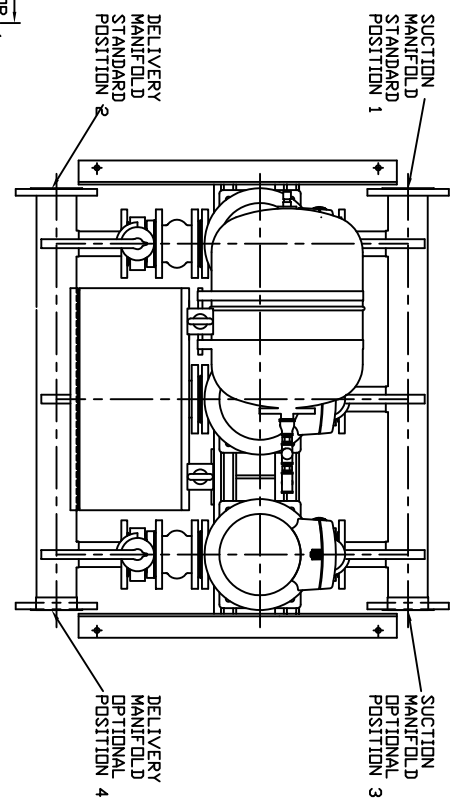


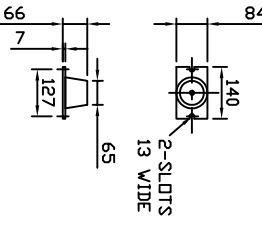
PUMP SIZE	MOTOR KW	FLC AMPS 3x415V	PUMP WEIGHT KGS	SET WEIGHT KGS	VESSEL SIZE LITRES	WORKING PRESSURE MAX. BAR	TEST PRESSURE BAR
3301/1E2E2T	2.20	5.03	65	596	60	10	15
3301F30T	3.00	6.01	70	611	60	10	15
3302/2E40T	4.00	8.02	78	635	60	10	15
3302/1F40T	4.00	8.02	78	635	60	10	15
3302F55T	5.50	10.0	96	689	60	10	15
3302E/55T	5.50	10.0	100	700	60	10	15
3303/1E75T	7.50	13.4	106	719	60	10	15
3303F75T	7.50	13.4	106	719	60	10	15
3304/2E75T	7.50	13.4	110	731	60	10	15

ALL FLANGES TO BS4504 16BAR

UNCONTROLLED



ANTI-VIBRATION MOUNTINGS OPTIONAL ONLY SUPPLIER WHEN ORDERED (<4-PER SET K2092/10)



FLEXIBLE CONNECTORS OPTIONAL ONLY SUPPLIED WHEN ORDERED (<2-PER SET)

NOTE :-

- 1) MAIN POWER SUPPLY TO PANEL MUST BE SIZED TO COVER ALL PUMP RUNNING AT SAME TIME
- 2) LARGE STORAGE VESSELS IF ORDERED WILL BE SUPPLIED LOOSE FOR POSITIONING BY CLIENT TO SUIT THE AVAILABLE FLOOR SPACE. CLIENT IS TO PROVIDE A CONNECTION FROM THE VESSEL TO THE DELIVERY PIPEWORK ADJACENT TO THE SET ISOLATING AND DRAIN VALVES SHOULD BE FITTED IN THIS CONNECTION

LAST MODIFICATION DETAILS

VESSEL MOVED FROM UNDER PANEL TO OVER PUMPS

ALL DIMENSIONS IN mm DRAWN TO BS308 WELDING SYMBOLS TO BS499 SURFACE FINISH SHOWN IN MICROMETERS MACHINE WHERE SHOWN TO TOLERANCE ± 0.3MM UNLESS OTHERWISE STATED

ISSUE	DATE	BY	DRN	BSD
2	09/2005	CHK	BSD	APP

JOB No.	PART No.	WEIGHT KG	FILE NAME
-	-	-	PX10478-2
DESIGN No.	PATTERN No.	MATERIAL	MAT'L SPEC.
-	-	-	-

TITLE: GENERAL ARRANGEMENT HYDROPAK IVSL3 SET 33-PUMP MODELS C/W VLT8000 AQUA CONTROL

DRG No. PX10478-2

DATE: 19/08/2004 DRN BSD

CHK EGU APP EGU

SCALE: NTS SHEET 1 OF 1

VENLOCK WAY, MANCHESTER, M12 5JL
TEL: +44 (0) 161 223 2223

ARMSTRONG HOLDEN BROOKE PULLEN