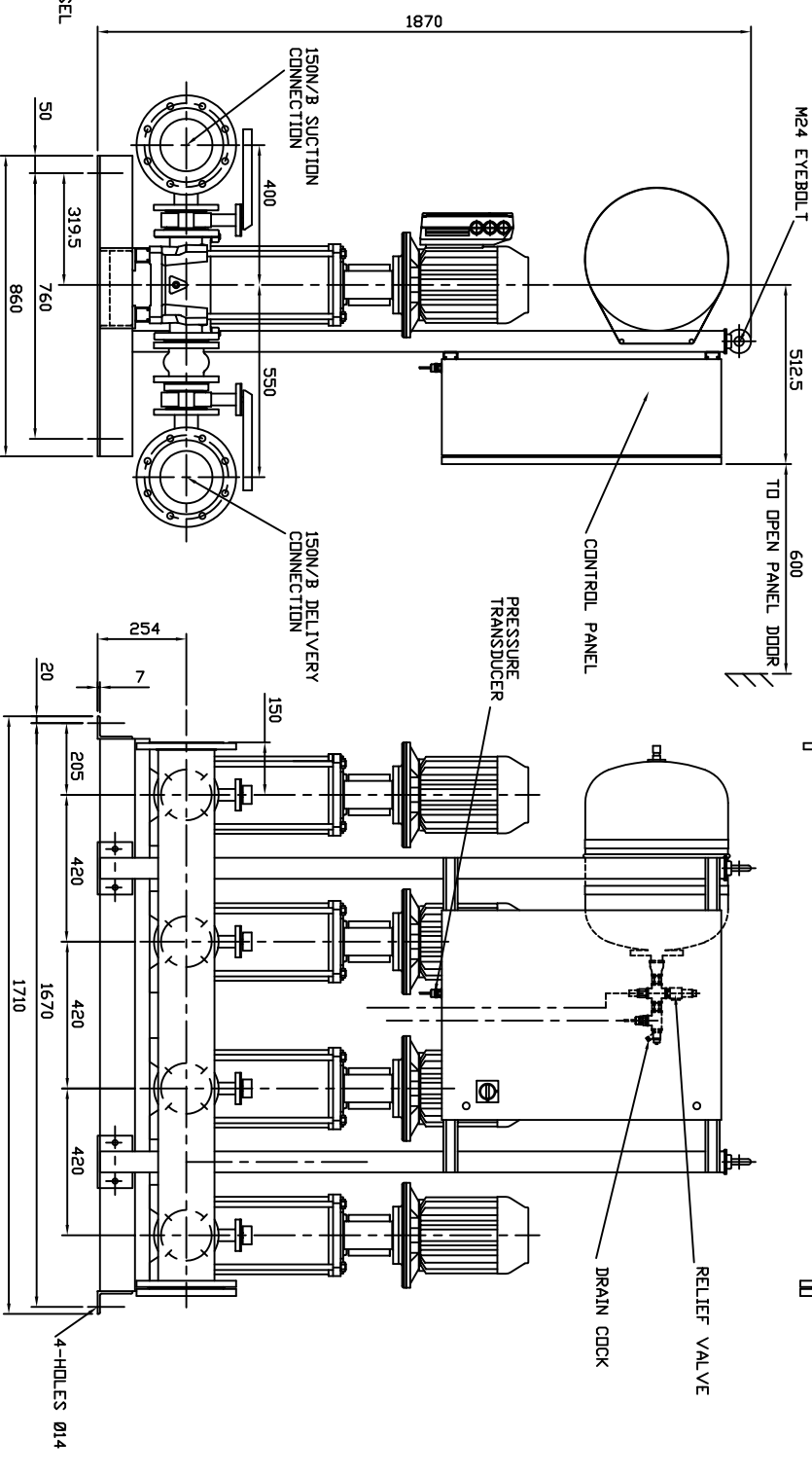
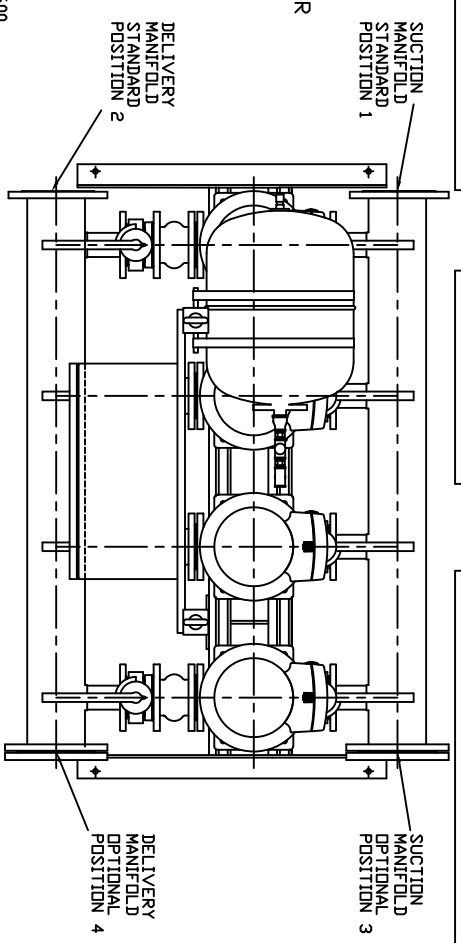


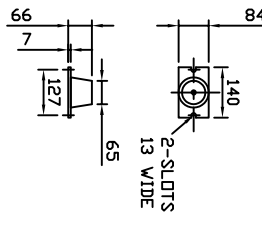
PUMP SIZE	MOTOR KW	FLC AMPS 3x415V	PUMP WEIGHT KGS	SET WEIGHT KGS	VESSEL SIZE LITRES	WORKING PRESSURE MAX. BAR	TEST PRESSURE BAR
3301/1E/2E1	2.20	5.03	65	804	60	10	15
3301F/30T	3.00	6.01	70	824	60	10	15
3302/2E/40T	4.00	8.02	78	856	60	10	15
3302/1E/40T	4.00	8.02	78	836	60	10	15
3302E/55T	5.50	10.0	96	928	60	10	15
3303/2E/55T	5.50	10.0	100	944	60	10	15
3303/1E/75T	7.50	13.4	106	968	60	10	15
3303E/75T	7.50	13.4	106	968	60	10	15
3304/2E/75T	7.50	13.4	110	984	60	10	15

ALL FLANGES TO BS4504 16BAR

# UNCONTROLLED



ANTI-VIBRATION MOUNTINGS OPTIONAL ONLY SUPPLIER WHEN ORDERED (4-PER SET K2092/10)



FLEXIBLE CONNECTORS OPTIONAL ONLY SUPPLIED WHEN ORDERED (2-PER SET)

**NOTE :-**

- 1) MAIN POWER SUPPLY TO PANEL MUST BE SIZED TO COVER ALL PUMP RUNNING AT SAME TIME
- 2) LARGE STORAGE VESSELS IF ORDERED WILL BE SUPPLIED LOOSE FOR POSITIONING BY CLIENT TO SUIT THE AVAILABLE FLOOR SPACE. CLIENT IS TO PROVIDE A CONNECTION FROM THE VESSEL TO THE DELIVERY PIPEWORK ADJACENT TO THE SET ISOLATING AND DRAIN VALVES SHOULD BE FITTED IN THIS CONNECTION

LAST MODIFICATION DETAILS

DRAWING BORDER CHANGED

ALL DIMENSIONS IN mm  
DRAWN TO BS308  
WELDING SYMBOLS TO BS499  
SURFACE FINISH SHOWN IN MICROMETERS  
MACHINE WHERE SHOWN TO TOLERANCE ± 0.3MM UNLESS OTHERWISE STATED

ISSUE 1	DATE 15/02/2006	DRN PJB	APP PJB
---------	-----------------	---------	---------

JOB No.	PART No.	WEIGHT KG	FILE NAME
-	-	-	Px10479-1
DESIGN No.	PATTERN No.	MATERIAL	MAT'L SPEC.
-	-	-	-

TITLE  
GENERAL ARRANGEMENT  
HYDROPAK IVSL4 SET  
33-PUMP MODELS C/W  
VLT8000 AQUA CONTROL

DRG No.	PX10479-1
DATE 19/08/2004	DRN BSD
CHK EGU	APP EGU
SCALE	NTS
SHEET	1 OF 1

ARMSTRONG HOLDEN BROOKE PULLEN  
VENLOCK WAY, MANCHESTER, M12 5JL  
TEL: +44 (0) 161 223 2223