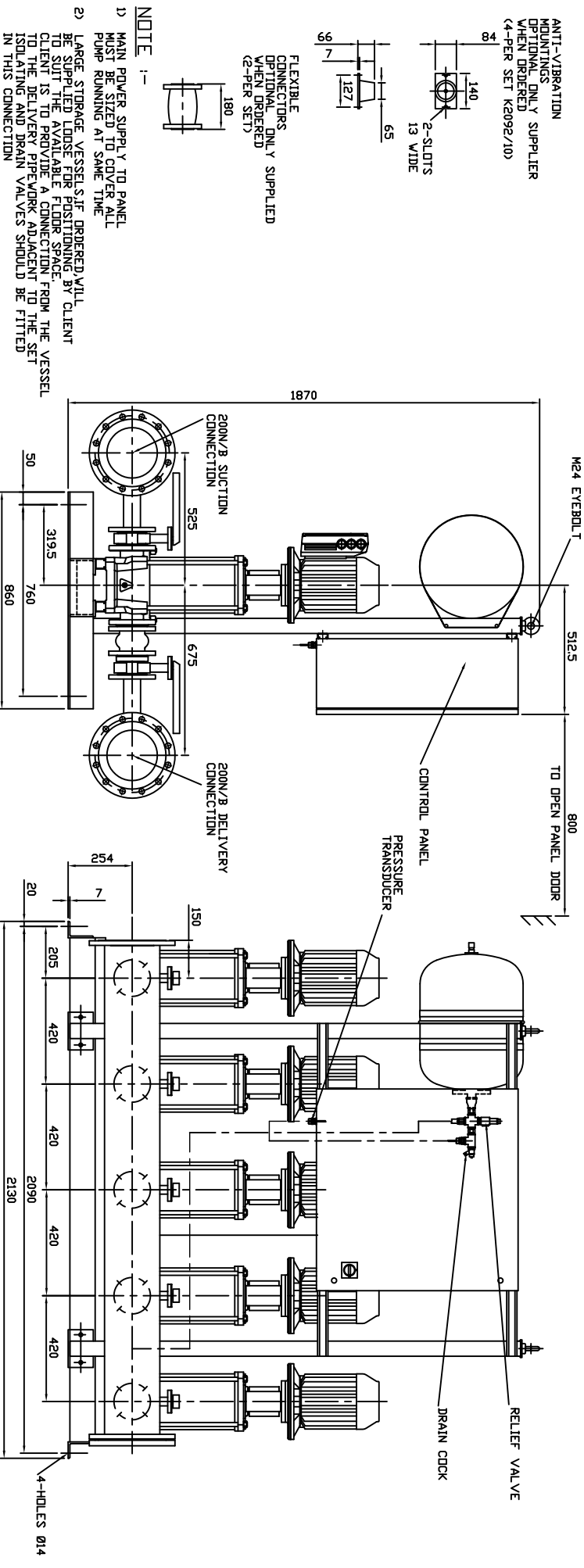
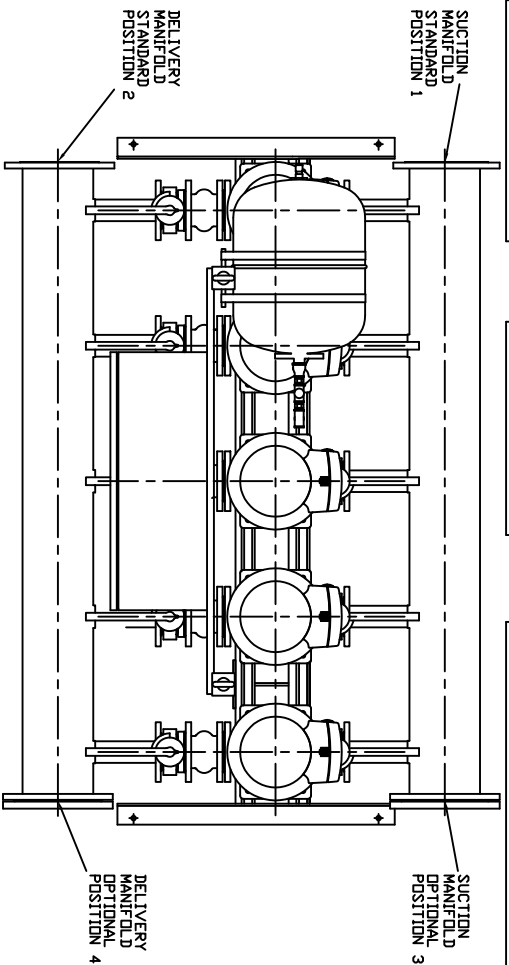


PUMP SIZE	MOTOR KW	FLC AMPS 3x415V	PUMP WEIGHT KGS	SET WEIGHT KGS	VESSEL SIZE LITRES	WORKING PRESSURE MAX. BAR	TEST PRESSURE BAR
3301F/1E2T	2.20	5.03	65	1033	60	10	15
3301F-30T	3.00	6.01	70	1038	60	10	15
3302/2E40T	4.00	8.02	78	1048	60	10	15
3302/1E40T	4.00	8.02	78	1048	60	10	15
3302E/55T	5.50	10.0	96	1064	60	10	15
3303/2E55T	5.50	10.0	100	1068	60	10	15
3303/1E75T	7.50	13.4	106	1074	60	10	15
3303E/75T	7.50	13.4	106	1074	60	10	15
3304/2E75T	7.50	13.4	110	1078	60	10	15

ALL FLANGES TO BS4504 16BAR

UNCONTROLLED



NOTE :-

- 1) MAIN POWER SUPPLY TO PANEL MUST BE SIZED TO COVER ALL PUMP RUNNING AT SAME TIME
- 2) LARGE STRAIGHT VESSEL S/F ORDERED WILL BE SUPPLIED IN POSITIONING BY CLIENT TO SUIT THE AVAILABLE FLOOR SPACE CLIENT IS TO PROVIDE A CONNECTION FROM THE VESSEL TO THE DELIVERY PIPEWORK ADJACENT TO THE SET ISOLATING AND DRAIN VALVES SHOULD BE FITTED IN THIS CONNECTION

LAST MODIFICATION DETAILS
 DRAWING BORDER CHANGED

ISSUE 1	DATE 15/02/2006	DRN PJB	APP PJB
---------	-----------------	---------	---------

ALL DIMENSIONS IN mm DRAWN TO BS308 WELDING SYMBOLS TO BS499 SURFACE FINISH SHOWN IN MICROMETERS MACHINE WHERE SHOWN TO TOLERANCE ± 0.3MM UNLESS OTHERWISE STATED			
JOB No.	PART No.	WEIGHT KG	FILE NAME
-	-	-	PX10480-1
DESIGN No.	PATTERN No.	MATERIAL	MAT'L SPEC.
-	-	-	-

TITLE
 GENERAL ARRANGEMENT
 HYDROPAK IVSLS SET
 33-PUMP MODELS C/W
 VLT8000 AQUA CONTROL

DRG No.	PX10480-1
DATE 19/08/2004	DRN BSD
CHK EGU	APP EGU
SCALE NTS	SHEET 1 OF 1



VENLOCK WAY, MANCHESTER, M12 5JL
 TEL: +44 (0) 161 223 2223