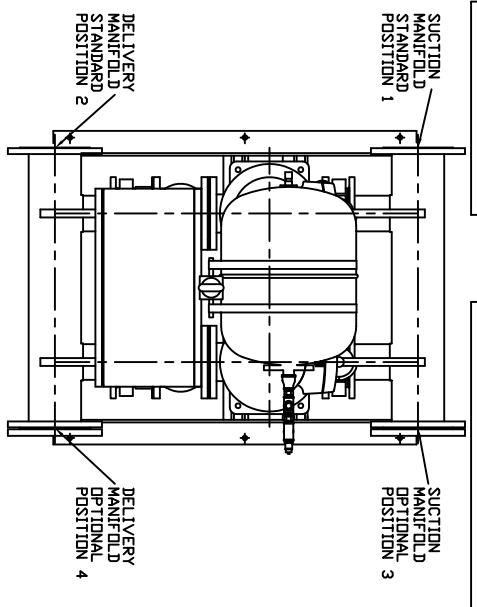


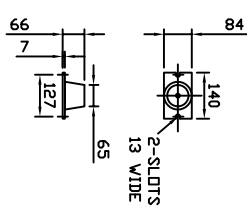
PUMP SIZE	MOTOR KW	FLC AMPS 3x415V	PUMP WEIGHT KGS	SET WEIGHT KGS	VESSEL SIZE LITRES	WORKING PRESSURE BAR	TEST PRESSURE BAR
6601/IE40T	4.00	8.02	89	536	60	10	15
6601/51T	5.30	10.0	107	572	60	10	15
6602/275T	7.50	13.4	118	594	60	10	15

ALL FLANGES TO BS4504 16BAR

UNCONTROLLED

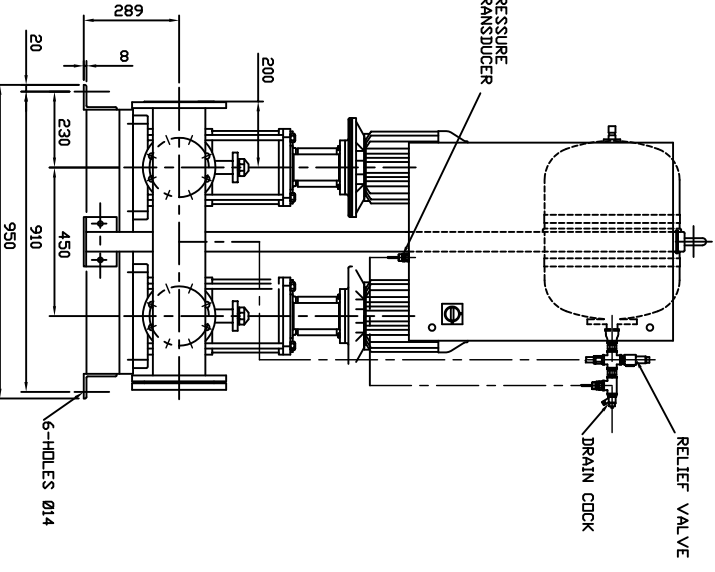
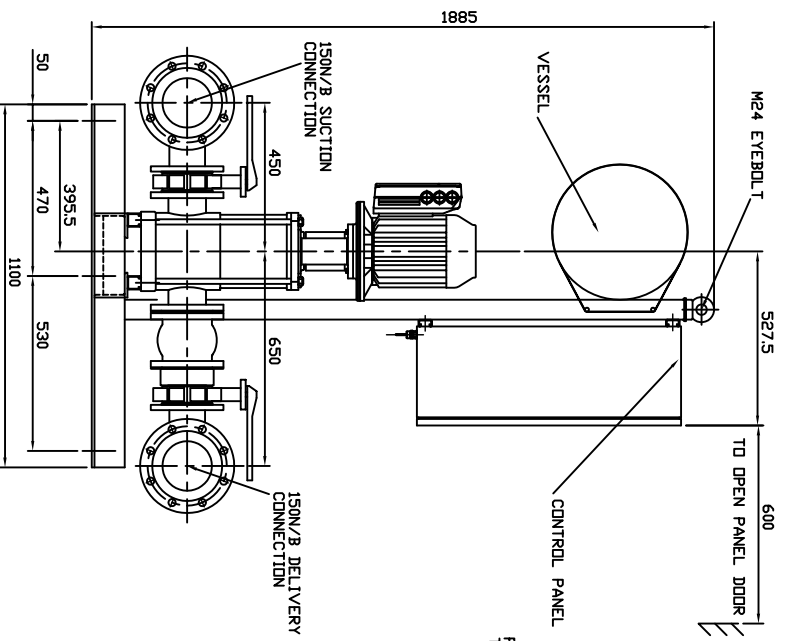


ANTI-VIBRATION MOUNTINGS OPTIONAL, ONLY SUPPLIER WHEN ORDERED
(6-PER SET K2092/10)



NOTE :-

- 1) MAIN POWER SUPPLY TO PANEL MUST BE SIZED TO COVER ALL PUMP RUNNING AT SAME TIME
- 2) LARGE STORAGE VESSELS IF ORDERED WILL BE SUPPLIED LARGE FOR FOSTERING BY CLIENT TO BE SUPPLIED TO THE PANEL BY A CONDUIT. CLIENT IS TO PROVIDE A CONDUIT TO THE DELIVERY PIPE WORK ADJACENT TO THE VESSEL ISOLATING AND BRAIN VALVES SHOULD BE FITTED IN THIS CONNECTION



LAST MODIFICATION DETAILS		JOB No.	PART No.	WEIGHT KG	FILE NAME	TITLE	DRG No.
DRAWING BORDER CHANGED		-	-	-	Px10481-1	GENERAL ARRANGEMENT HYDROPAK IVSL2 SET 66-PUMP MODELS C/W VLT8000 AQUA CONTROL	PX10481-1

ISSUE	DATE	BY	CHK	APP	DESCRIPTION
1	02/2006	DRN	PJB	APP	THIS DRAWING IS THE PRIVATE AND CONFIDENTIAL PROPERTY OF ARMSTRONG HOLDEN BROOKE PULLEN LTD. ALL COPYRIGHT, MANUFACTURING AND SALES RIGHTS RESERVED.

ARMSTRONG HOLDEN BROOKE PULLEN

VENLOCK WAY, MANCHESTER, M12 5JL
TEL: +44 (0) 161 223 2223